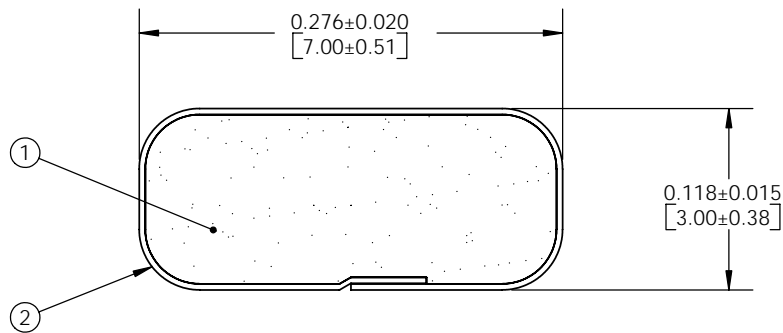
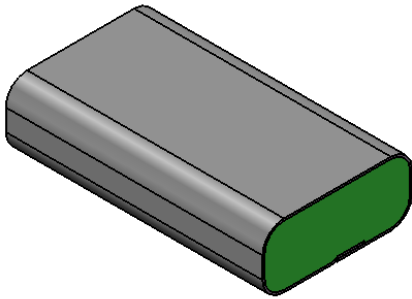


Level		Date	By
○			
Ⓐ	UPDATE SHEET FORMAT	2/23/09	BEP
Ⓑ			
Ⓒ			

ROCHESTER DIVISION PRODUCT PRINT

The information disclosed in this drawing is confidential and the property of Schlegel Electronic Materials, INC. The use, disclosure, or reproduction of this information and related know-how is prohibited without written permission from Schlegel Electronic Materials, INC.



CURRENT CONFIGURATIONS	
PROFILE	DESCRIPTION
ES513	HR FOAM, NiCu C70 FABRIC
ES514	HR FOAM, NiCu C12 FABRIC
ES519	HR FOAM, Ag C2 FABRIC
ES553	BR FR FOAM, NiCu C70 FABRIC
ES554	BR FR FOAM, NiCu C12 FABRIC
ES559	BR FR FOAM, Ag C2 FABRIC
ES573	SOFT FOAM, NiCu C70 FABRIC

NOTE: Other configurations may be available at special minimum order quantities.

THIRD ANGLE PROJECTION

TOLERANCES  
 Profile thickness: ±.015" (0.38mm)  
 Profile width: ±.020" (0.51mm)

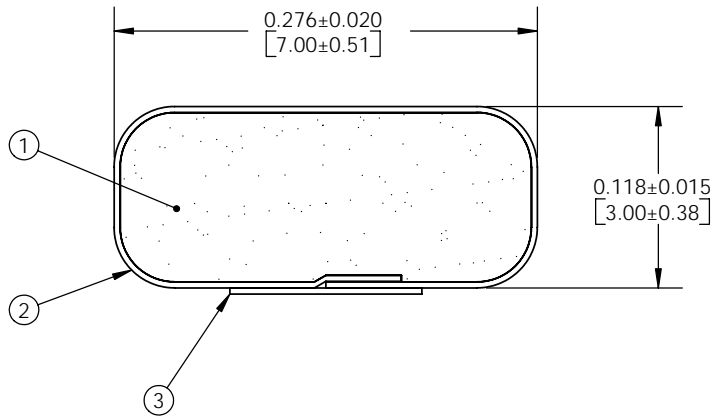
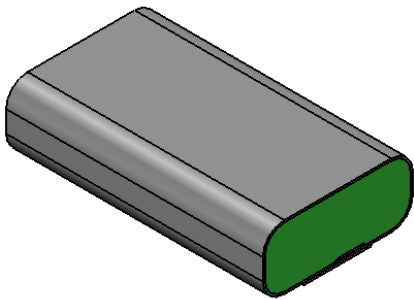
SCALE 1:1

PDR NO.:			
QUOTE NO.:	③		
CUSTOMER NAME:	②	SEE B.O.M.	CONDUCTIVE FABRIC
CUST DWG NO.:	①	SEE B.O.M.	URETHANE FOAM
SIZE A	Date 12/28/2007	Item No.	RM Number
SHEET 1 OF 3		Material Description	
SCALE: 8:1	Approved By	Drawn By AMY	Title 3mm x 7mm EMI
Cad File No. CC85771A	Part No. ES5xxXxxxx	Dwg. No. CC3E8577	Rev. A

Level		Date	By
○			
Ⓐ	UPDATE SHEET FORMAT	2/23/09	BEP
Ⓑ			
Ⓒ			

ROCHESTER DIVISION PRODUCT PRINT

The information disclosed in this drawing is confidential and the property of Schlegel Electronic Materials, INC. The use, disclosure, or reproduction of this information and related know-how is prohibited without written permission from Schlegel Electronic Materials, INC.



CURRENT CONFIGURATIONS	
PROFILE	DESCRIPTION
ES513	HR FOAM, NiCu C70 FABRIC
ES514	HR FOAM, NiCu C12 FABRIC
ES519	HR FOAM, Ag C2 FABRIC
ES553	BR FR FOAM, NiCu C70 FABRIC
ES554	BR FR FOAM, NiCu C12 FABRIC
ES559	BR FR FOAM, Ag C2 FABRIC
ES573	SOFT FOAM, NiCu C70 FABRIC
NOTE: Other configurations may be available at special minimum order quantities.	

 THIRD ANGLE PROJECTION

TOLERANCES  
 Profile thickness: ±.015" (0.38mm)  
 Profile width: ±.020" (0.51mm)

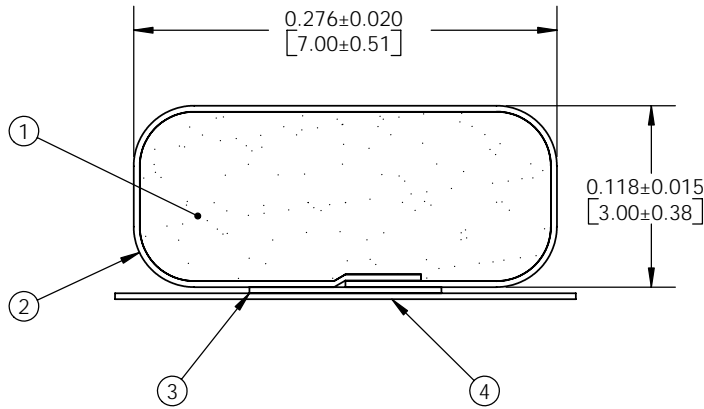
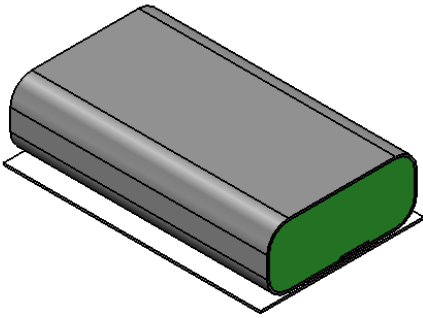
 SCALE 1:1

PDR NO.:			
QUOTE NO.:	③	SEE B.O.M.	PSA .125" WIDE (UNLESS OTHERWISE SPECIFIED)
CUSTOMER NAME:	②	SEE B.O.M.	CONDUCTIVE FABRIC
CUST DWG NO.:	①	SEE B.O.M.	URETHANE FOAM
SIZE <b>A</b>	Date 12/28/2007	Item No.	RM Number
SHEET 2 OF 3		Material Description	
SCALE: 8:1	Approved By	Drawn By AMY	Title 3mm x 7mm EMI
Cad File No. CC85771A	Part No. ES5xxTxxxxx	Dwg. No. CC3E8577	Rev. A

Level		Date	By
○			
(A)	UPDATE SHEET FORMAT	2/23/09	BEP
(B)			
(C)			

ROCHESTER DIVISION PRODUCT PRINT

The information disclosed in this drawing is confidential and the property of Schlegel Electronic Materials, INC. The use, disclosure, or reproduction of this information and related know-how is prohibited without written permission from Schlegel Electronic Materials, INC.



THIRD ANGLE PROJECTION

TOLERANCES  
 Profile thickness: ±.015" (0.38mm)  
 Profile width: ±.020" (0.51mm)

SCALE 1:1

CURRENT CONFIGURATIONS	
PROFILE	DESCRIPTION
ES513	HR FOAM, NiCu C70 FABRIC
ES514	HR FOAM, NiCu C12 FABRIC
ES519	HR FOAM, Ag C2 FABRIC
ES553	BR FR FOAM, NiCu C70 FABRIC
ES554	BR FR FOAM, NiCu C12 FABRIC
ES559	BR FR FOAM, Ag C2 FABRIC
ES573	SOFT FOAM, NiCu C70 FABRIC
NOTE: Other configurations may be available at special minimum order quantities.	

PDR NO.:	(4)	SEE B.O.M.	RELEASE LINER .300" WIDE (UNLESS OTHERWISE SPECIFIED)
QUOTE NO.:	(3)	SEE B.O.M.	PSA .125" WIDE (UNLESS OTHERWISE SPECIFIED)
CUSTOMER NAME:	(2)	SEE B.O.M.	CONDUCTIVE FABRIC
CUST DWG NO.:	(1)	SEE B.O.M.	URETHANE FOAM
SIZE A	Date 12/28/2007	Item No.	RM Number
SHEET 3 OF 3		Material Description	
SCALE: 8:1	Approved By	Drawn By AMY	Title 3mm x 7mm EMI
Cad File No. CC85771A	Part No. ES5xxZxxxxx	Dwg. No. CC3E8577	Rev. A