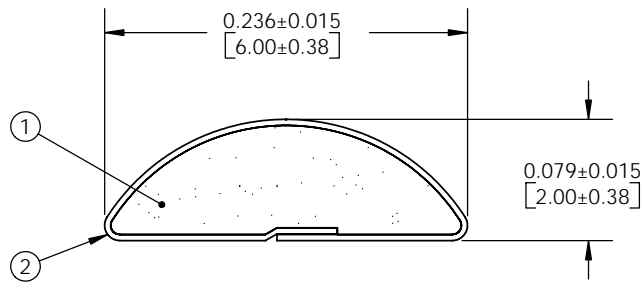
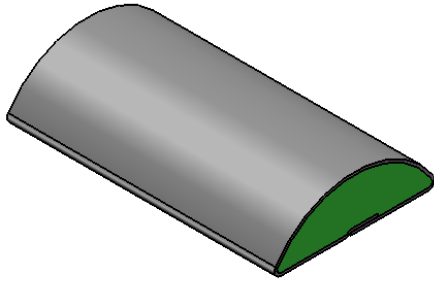


Level		Date	By
○			
Ⓐ	UPDATE SHEET FORMAT	2/23/09	BEP
Ⓑ			
Ⓒ			

ROCHESTER DIVISION PRODUCT PRINT

The information disclosed in this drawing is confidential and the property of Schlegel Electronic Materials, INC. The use, disclosure, or reproduction of this information and related know-how is prohibited without written permission from Schlegel Electronic Materials, INC.



THIRD ANGLE PROJECTION

TOLERANCES
 Profile thickness: ±.015" (0.38mm)
 Profile width: ±.015" (0.51mm)

SCALE 1:1

CURRENT CONFIGURATIONS	
PROFILE	DESCRIPTION
ES313	HR FOAM, NiCu C70 FABRIC
ES314	HR FOAM, NiCu C12 FABRIC
ES319	HR FOAM, Ag C2 FABRIC
ES353	BR FR FOAM, NiCu C70 FABRIC
ES354	BR FR FOAM, NiCu C12 FABRIC
ES359	BR FR FOAM, Ag C2 FABRIC
ES373	SOFT FOAM, NiCu C70 FABRIC

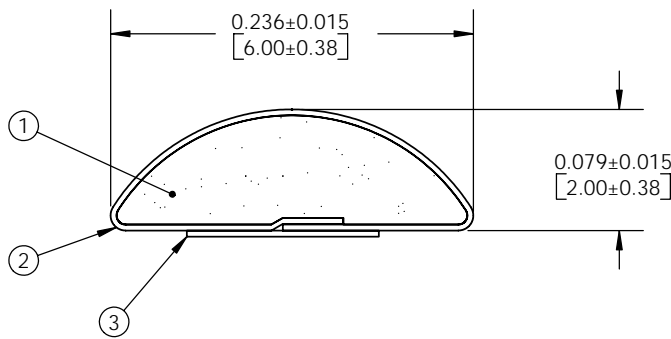
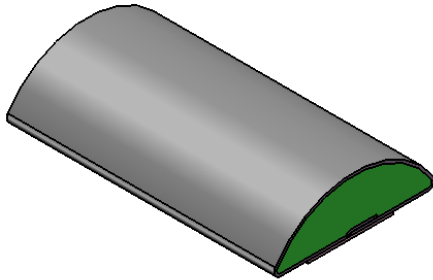
NOTE: Other configurations may be available at special minimum order quantities.

PDR NO.:			
QUOTE NO.:	③		
CUSTOMER NAME:	②	SEE B.O.M.	CONDUCTIVE FABRIC
CUST DWG NO.:	①	SEE B.O.M.	URETHANE FOAM
SIZE A	Date 12/31/2007	Item No.	RM Number
SHEET 1 OF 3		Material Description	
SCALE: 8:1	Approved By	Drawn By AMY	Title 2mm x 6mm D-SHAPE EMI
Cad File No. CC85751A	Part No. ES3xxXxxxxx	Dwg. No. CC3E8575	Rev. A

Level		Date	By
○			
Ⓐ	UPDATE SHEET FORMAT	2/23/09	BEP
Ⓑ			
Ⓒ			

ROCHESTER DIVISION PRODUCT PRINT

The information disclosed in this drawing is confidential and the property of Schlegel Electronic Materials, INC. The use, disclosure, or reproduction of this information and related know-how is prohibited without written permission from Schlegel Electronic Materials, INC.



CURRENT CONFIGURATIONS	
PROFILE	DESCRIPTION
ES313	HR FOAM, NiCu C70 FABRIC
ES314	HR FOAM, NiCu C12 FABRIC
ES319	HR FOAM, Ag C2 FABRIC
ES353	BR FR FOAM, NiCu C70 FABRIC
ES354	BR FR FOAM, NiCu C12 FABRIC
ES359	BR FR FOAM, Ag C2 FABRIC
ES373	SOFT FOAM, NiCu C70 FABRIC
NOTE: Other configurations may be available at special minimum order quantities.	



TOLERANCES
 Profile thickness: ±.015" (0.38mm)
 Profile width: ±.015" (0.38mm)



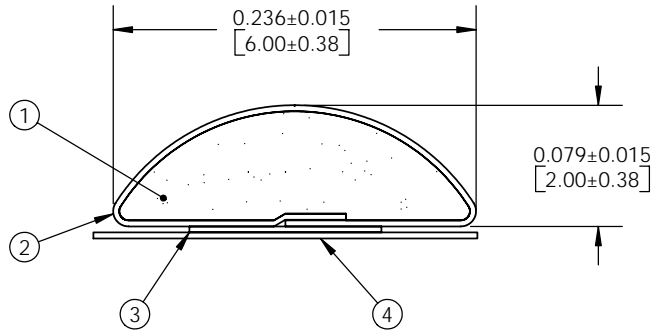
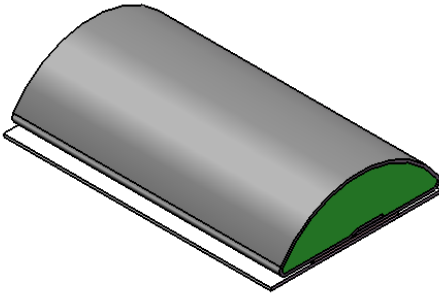
SCALE 1:1

PDR NO.:			
QUOTE NO.:	③	SEE B.O.M.	PSA .125" WIDE (UNLESS OTHERWISE SPECIFIED)
CUSTOMER NAME:	②	SEE B.O.M.	CONDUCTIVE FABRIC
CUST DWG NO.:	①	SEE B.O.M.	URETHANE FOAM
SIZE A	Date 12/31/2007	Item No.	RM Number
SHEET 2 OF 3		Material Description	
SCALE: 8:1	Approved By	Drawn By AMY	Title 2mm x 6mm D-SHAPE EMI
Cad File No. CC85751A	Part No. ES3xxTxxxx	Dwg. No. CC3E8575	Rev. A

Level		Date	By
○			
Ⓐ	UPDATE SHEET FORMAT	2/23/09	BEP
Ⓑ			
Ⓒ			

ROCHESTER DIVISION PRODUCT PRINT

The information disclosed in this drawing is confidential and the property of Schlegel Electronic Materials, INC. The use, disclosure, or reproduction of this information and related know-how is prohibited without written permission from Schlegel Electronic Materials, INC.



 **THIRD ANGLE PROJECTION**

TOLERANCES
 Profile thickness: ± 0.015 " (0.38mm)
 Profile width: ± 0.015 " (0.51mm)

 **SCALE 1:1**

CURRENT CONFIGURATIONS

PROFILE	DESCRIPTION
ES313	HR FOAM, NiCu C70 FABRIC
ES314	HR FOAM, NiCu C12 FABRIC
ES319	HR FOAM, Ag C2 FABRIC
ES353	BR FR FOAM, NiCu C70 FABRIC
ES354	BR FR FOAM, NiCu C12 FABRIC
ES359	BR FR FOAM, Ag C2 FABRIC
ES373	SOFT FOAM, NiCu C70 FABRIC

NOTE: Other configurations may be available at special minimum order quantities.

PDR NO.:	④	SEE B.O.M.	RELEASE LINER .250" WIDE (UNLESS OTHERWISE SPECIFIED)
QUOTE NO.:	③	SEE B.O.M.	PSA .125" WIDE (UNLESS OTHERWISE SPECIFIED)
CUSTOMER NAME:	②	SEE B.O.M.	CONDUCTIVE FABRIC
CUST DWG NO.:	①	SEE B.O.M.	URETHANE FOAM
SIZE A	Date 12/31/2007	Item No.	RM Number
SHEET 3 OF 3		Material Description	
SCALE: 8:1	Approved By	Drawn By AMY	Title 2mm x 6mm D-SHAPE EMI
Cad File No. CC85751A	Part No. ES3xxZxxxxx	Dwg. No. CC3E8575	Rev. A