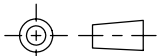
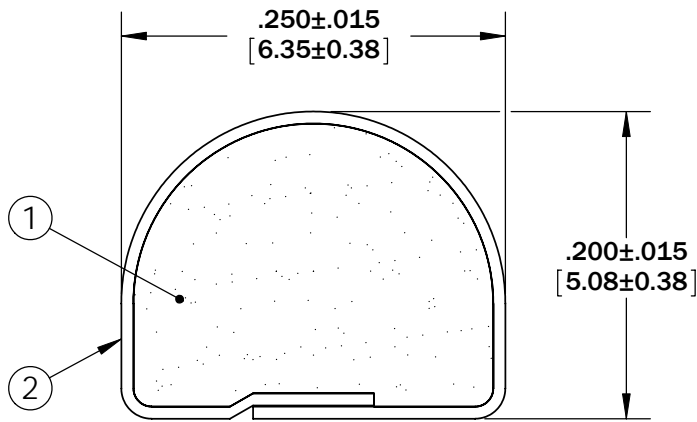
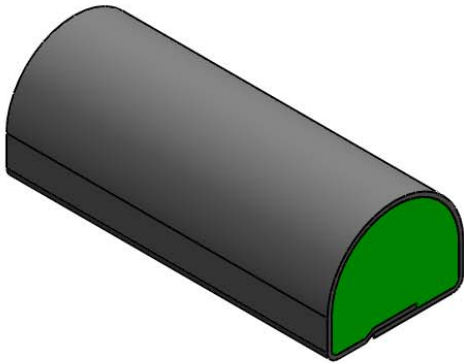


Level		Date	By
(A)	REV TO SOLIDWORKS	7/13/09	BEP
(B)			
(C)			
(D)			

ROCHESTER DIVISION PRODUCT PRINT

The information disclosed in this drawing is confidential and the property of Schlegel Electronic Materials, INC. The use, disclosure, or reproduction of this information and related know-how is prohibited without written permission from Schlegel Electronic Materials, INC.



TOLERANCES

Profile thickness: ± 0.015 " (0.38mm)
 Profile width: ± 0.015 " (0.38mm)



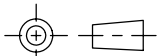
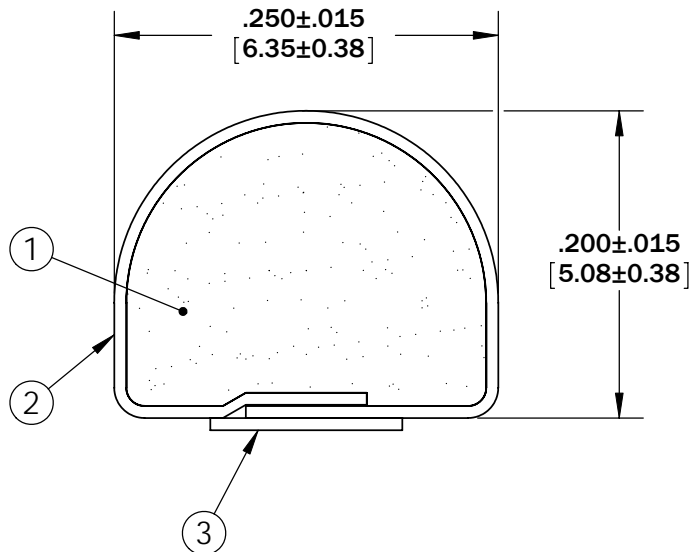
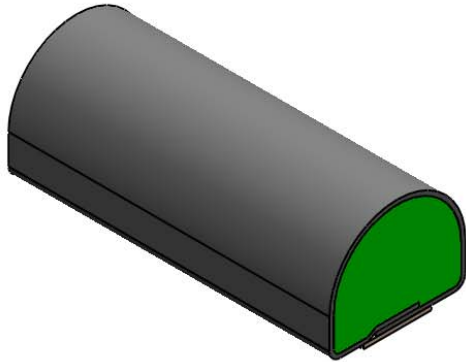
SCALE 1:1

PDR NO.:	(4)		
QUOTE NO.:	(3)		
CUSTOMER NAME:	(2)	SEE B.O.M.	CONDUCTIVE FABRIC
CUST DWG NO.:	(1)	SEE B.O.M.	URETHANE FOAM
SIZE A	Date	7/8/2009	
SHEET 1 OF 2		Item No.	Material Description
SCALE: 8:1	Approved By	Drawn By PING	Title 5.1mm x 6.4mm D-SHAPE EMI
Cad File No. CC86471A	Part No. ER4xxXXXXX	Dwg. No. CC3E8647	Rev. A

Level		Date	By
(A)	REV TO SOLIDWORKS	7/13/09	BEP
(B)			
(C)			
(D)			

ROCHESTER DIVISION PRODUCT PRINT

The information disclosed in this drawing is confidential and the property of Schlegel Electronic Materials, INC. The use, disclosure, or reproduction of this information and related know-how is prohibited without written permission from Schlegel Electronic Materials, INC.



TOLERANCES

Profile thickness: $\pm .015$ " (0.38mm)
 Profile width: $\pm .015$ " (0.38mm)



SCALE 1:1

PDR NO.:	(4)		
QUOTE NO.:	(3)	SEE B.O.M.	PSA .125" WIDE (UNLESS OTHERWISE SPECIFIED)
CUSTOMER NAME:	(2)	SEE B.O.M.	CONDUCTIVE FABRIC
CUST DWG NO.:	(1)	SEE B.O.M.	URETHANE FOAM
DATE	7/8/2009		
SIZE	A		
SHEET 2 OF 2		Item No.	Material Description
SCALE: 8:1	Approved By	Drawn By PING	Title 5.1mm x 6.4mm D-SHAPE EMI
Cad File No. CC86471A	Part No. ER4xxTxxxxx	Dwg. No. CC3E8647	Rev. A