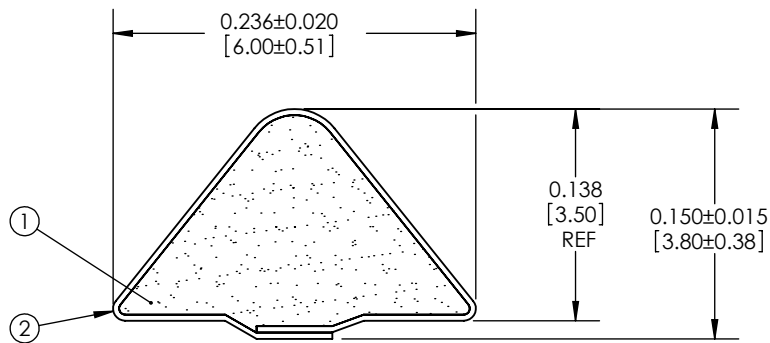
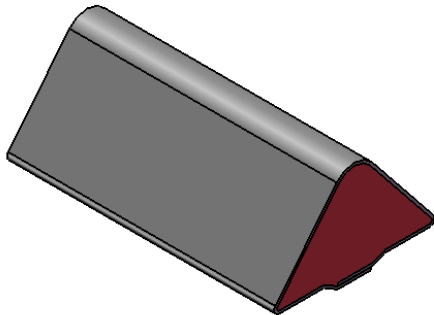


Level		Date	By
○	RELEASE	2/23/09	PING
Ⓐ	UPDATE SHEET FORMAT	3/12/09	BEP
Ⓑ			
Ⓒ			

ROCHESTER DIVISION PRODUCT PRINT

The information disclosed in this drawing is confidential and the property of Schlegel Electronic Materials, INC. The use, disclosure, or reproduction of this information and related know-how is prohibited without written permission from Schlegel Electronic Materials, INC.



TOLERANCES
 Profile thickness: ± 0.015 " (0.38mm)
 Profile width: ± 0.020 " (0.51mm)



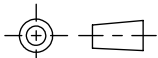
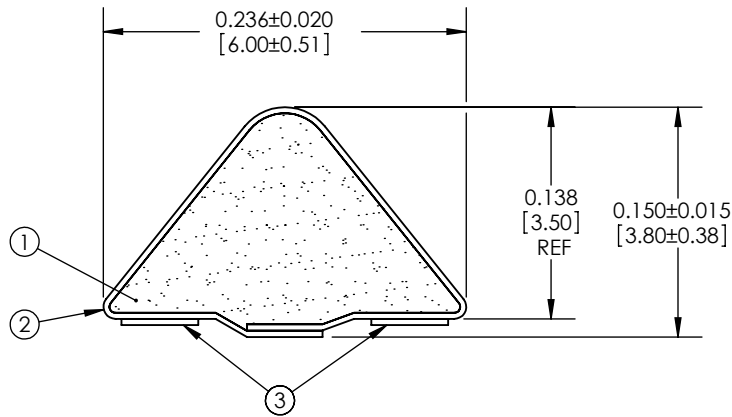
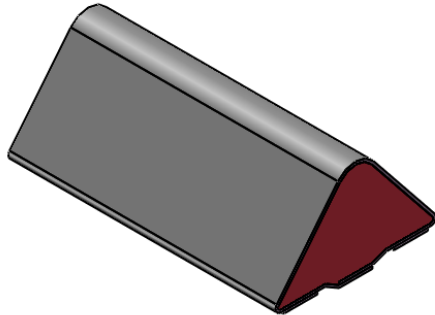
SCALE 1:1

PDR NO.:	④		
QUOTE NO.:	③		
CUSTOMER NAME:	②	SEE B.O.M.	CONDUCTIVE FABRIC
CUST DWG NO.:	①	SEE B.O.M.	URETHANE FOAM
SIZE A	Date	2/23/2009	
SHEET 1 OF 3		Item No.	Material Description
SCALE: 8:1	Approved By	Drawn By PING	Title 3.8mm x 6mm D-SHAPE EMI
Cad File No. CC86011A	Part No. EQ9xx-xxxxx	Dwg. No. CC3E8601	Rev. A

Level		Date	By
○	RELEASE	2/23/09	PING
Ⓐ	UPDATE SHEET FORMAT	3/12/09	BEP
Ⓑ			
Ⓒ			

ROCHESTER DIVISION PRODUCT PRINT

The information disclosed in this drawing is confidential and the property of Schlegel Electronic Materials, INC. The use, disclosure, or reproduction of this information and related know-how is prohibited without written permission from Schlegel Electronic Materials, INC.



TOLERANCES
 Profile thickness: ± 0.015 " (0.38mm)
 Profile width: ± 0.020 " (0.51mm)



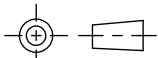
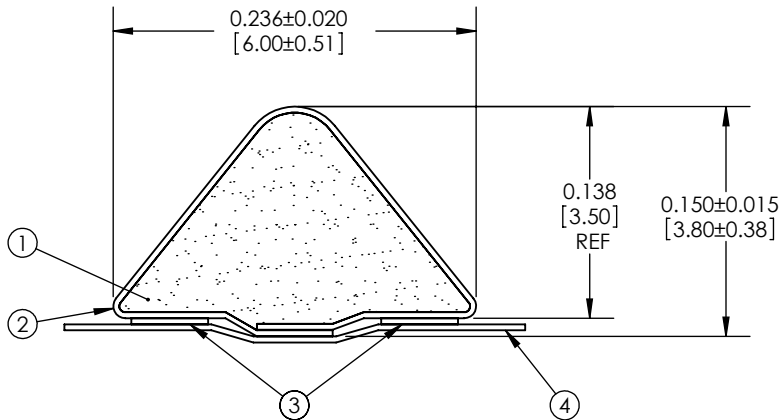
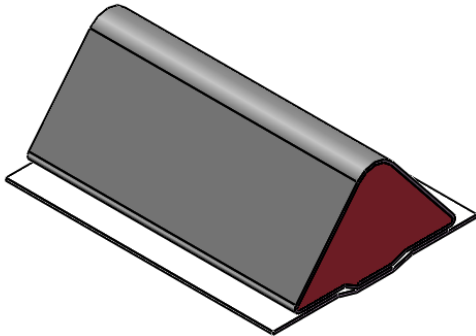
SCALE 1:1

PDR NO.:	④		
QUOTE NO.:	③	SEE B.O.M.	PSA .050" WIDE (UNLESS OTHERWISE SPECIFIED)
CUSTOMER NAME:	②	SEE B.O.M.	CONDUCTIVE FABRIC
CUST DWG NO.:	①	SEE B.O.M.	URETHANE FOAM
SIZE A	Date	2/23/2009	
SHEET 2 OF 3		Item No.	Material Description
SCALE: 8:1	Approved By	Drawn By PING	Title 3.8mm x 6mm D-SHAPE EMI
Cad File No. CC86011A	Part No. EQ9xx2XXXX	Dwg. No. CC3E8601	Rev. A

Level		Date	By
○	RELEASE	2/23/09	PING
Ⓐ	UPDATE SHEET FORMAT	3/12/09	BEP
Ⓑ			
Ⓒ			

ROCHESTER DIVISION PRODUCT PRINT

The information disclosed in this drawing is confidential and the property of Schlegel Electronic Materials, INC. The use, disclosure, or reproduction of this information and related know-how is prohibited without written permission from Schlegel Electronic Materials, INC.



TOLERANCES
 Profile thickness: ± 0.015 " (0.38mm)
 Profile width: ± 0.020 " (0.51mm)



SCALE 1:1

PDR NO.:	④	SEE B.O.M.	RELEASE LINER .300" WIDE (UNLESS OTHERWISE SPECIFIED)
QUOTE NO.:	③	SEE B.O.M.	PSA .050" WIDE (UNLESS OTHERWISE SPECIFIED)
CUSTOMER NAME:	②	SEE B.O.M.	CONDUCTIVE FABRIC
CUST DWG NO.:	①	SEE B.O.M.	URETHANE FOAM
SIZE	Date	2/23/2009	
A	SHEET 3 OF 3		Item No. RM Number Material Description
SCALE: 8:1	Approved By	Drawn By PING	Title 3.8mm x 6mm D-SHAPE EMI
Cad File No. CC86011A	Part No. EQ9xx2Zxxxx	Dwg. No. CC3E8601	Rev. A