

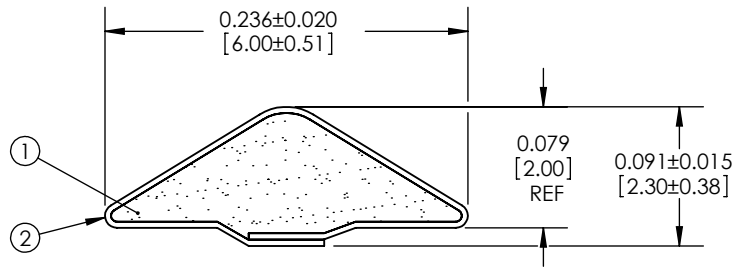
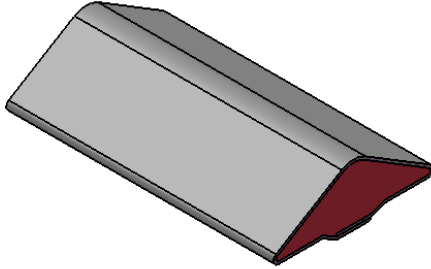


Revisions

Level		Date	By
○	RELEASE	3/9/09	PING
Ⓐ	UPDATE SHEET FORMAT	3/11/09	BEP
Ⓑ			
Ⓒ			

ROCHESTER DIVISION PRODUCT PRINT

The information disclosed in this drawing is confidential and the property of Schlegel Electronic Materials, INC. The use, disclosure, or reproduction of this information and related know-how is prohibited without written permission from Schlegel Electronic Materials, INC.



**TOLERANCES**  
 Profile thickness:  $\pm 0.015$ " (0.38mm)  
 Profile width:  $\pm 0.020$ " (0.51mm)

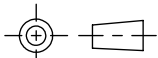
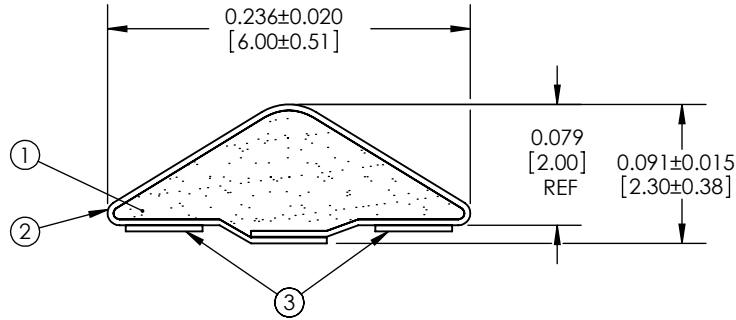
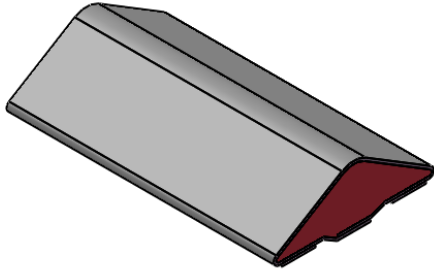
SCALE 1:1

PDR NO.:	④		
QUOTE NO.:	③		
CUSTOMER NAME:	②	SEE B.O.M.	CONDUCTIVE FABRIC
CUST DWG NO.:	①	SEE B.O.M.	URETHANE FOAM
SIZE <b>A</b>	Date	3/9/09	
SHEET 1 OF 3		Item No.	RM Number
SCALE: 8:1		Approved By	Drawn By PING
Title		2.3mm x 6mm D-SHAPE EMI	
Cad File No.	CC86041A	Part No.	EQ6xx-xxxxx
Dwg. No.	CC3E8604	Rev.	A

Level		Date	By
○	RELEASE	3/9/09	PING
Ⓐ	UPDATE SHEET FORMAT	3/11/09	BEP
Ⓑ			
Ⓒ			

ROCHESTER DIVISION PRODUCT PRINT

The information disclosed in this drawing is confidential and the property of Schlegel Electronic Materials, INC. The use, disclosure, or reproduction of this information and related know-how is prohibited without written permission from Schlegel Electronic Materials, INC.



TOLERANCES  
 Profile thickness: ±.015" (0.38mm)  
 Profile width: ±.020" (0.51mm)

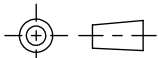
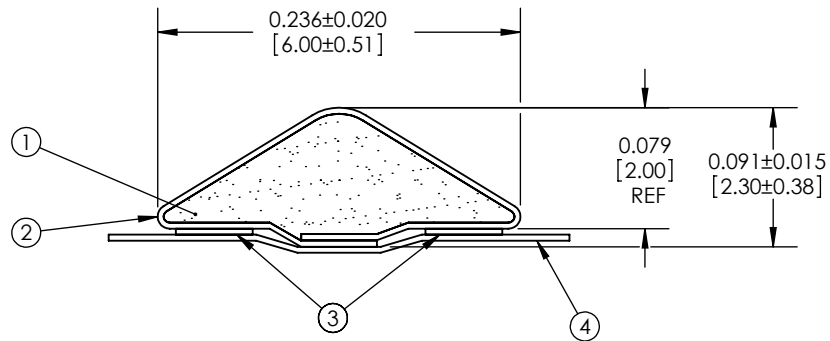
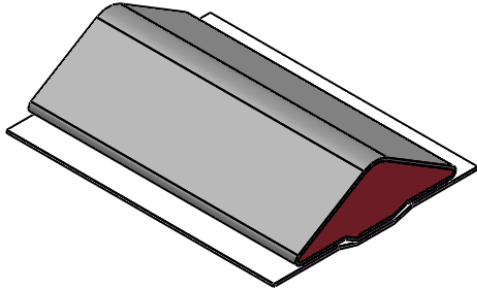
  
 SCALE 1:1

PDR NO.:	④		
QUOTE NO.:	③	SEE B.O.M.	PSA .050" WIDE (UNLESS OTHERWISE SPECIFIED)
CUSTOMER NAME:	②	SEE B.O.M.	CONDUCTIVE FABRIC
CUST DWG NO.:	①	SEE B.O.M.	URETHANE FOAM
SIZE	Date	3/9/09	
<b>A</b>	SHEET 2 OF 3		Material Description
SCALE: 8:1	Approved By	Drawn By PING	Title 2.3mm x 6mm D-SHAPE EMI
Cad File No. CC86041A	Part No. EQ6xx2Xxxxxx	Dwg. No. CC3E8604	Rev. A

Level		Date	By
○	RELEASE	3/9/09	PING
Ⓐ	UPDATE SHEET FORMAT	3/11/09	BEP
Ⓑ			
Ⓒ			

ROCHESTER DIVISION PRODUCT PRINT

The information disclosed in this drawing is confidential and the property of Schlegel Electronic Materials, INC. The use, disclosure, or reproduction of this information and related know-how is prohibited without written permission from Schlegel Electronic Materials, INC.



TOLERANCES  
 Profile thickness: ±.015" (0.38mm)  
 Profile width: ±.020" (0.51mm)



SCALE 1:1

PDR NO.:	④	SEE B.O.M.	RELEASE LINER .300" WIDE (UNLESS OTHERWISE SPECIFIED)
QUOTE NO.:	③	SEE B.O.M.	PSA .050" WIDE (UNLESS OTHERWISE SPECIFIED)
CUSTOMER NAME:	②	SEE B.O.M.	CONDUCTIVE FABRIC
CUST DWG NO.:	①	SEE B.O.M.	URETHANE FOAM
SIZE	Date	3/9/09	
<b>A</b>	SHEET 3 OF 3		
SCALE: 8:1	Approved By	Drawn By PING	Title 2.3mm x 6mm D-SHAPE EMI
Cad File No. CC86041A	Part No. EQ6xx2Zxxxxx	Dwg. No. CC3E8604	Rev. A