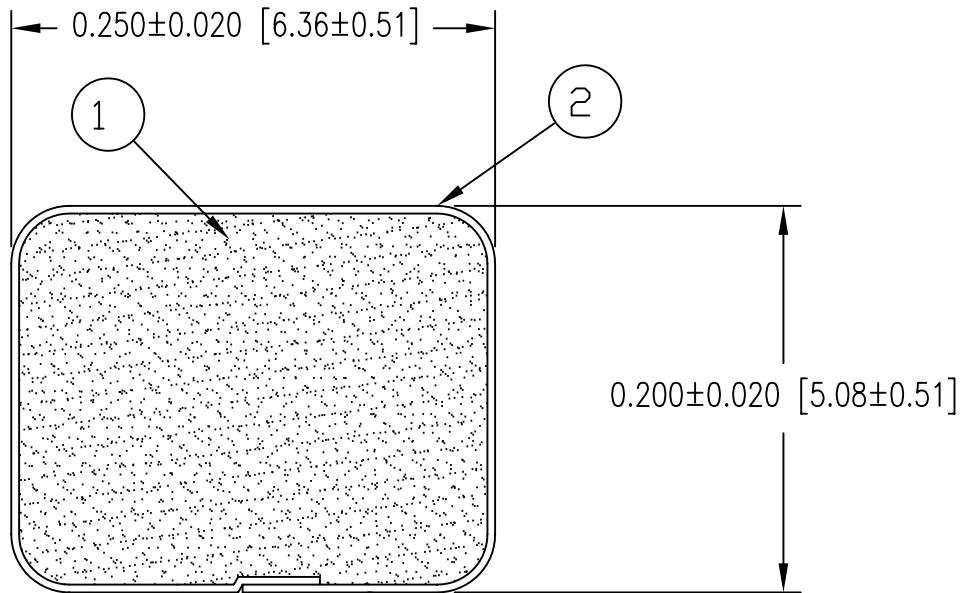




ROCHESTER DIVISION PRODUCT PRINT

The information disclosed on this drawing is confidential and the property of Schlegel Systems, Inc. The use, disclosure, or reproduction of this information and related knowhow is prohibited without written permission from Schlegel Systems, Inc.

Revisions			
Lev	Description	Date	By
(A)			
(B)			
(C)			

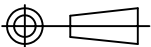


1 : 1

DO NOT SCALE THIS DRAWING
UNLESS PRINTER IS QUALIFIED

DE0021FM.dwg

THIRD ANGLE PROJECTION



DECIMAL DIMENSIONS ± _____
UNLESS OTHERWISE SPECIFIED

mm. Inch

Date: 5/31/05

Sheet 1 of 3

Drawn Scale: 10 : 1
Approved:

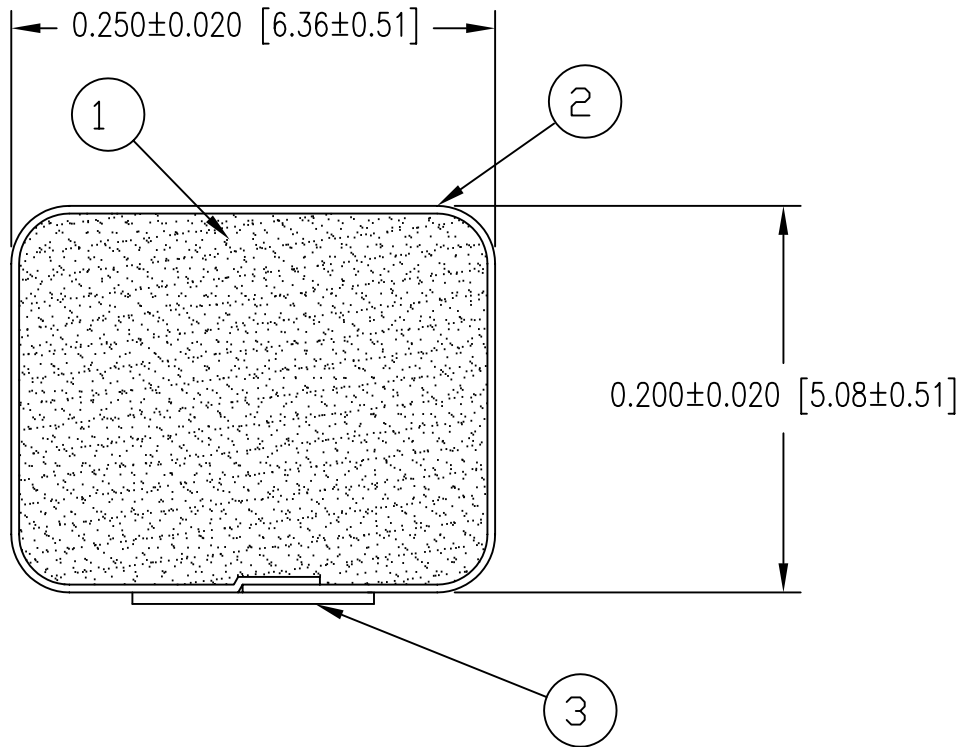
(4)		
(3)		
(2)	SEE B.O.M.	CONDUCTIVE FABRIC
(1)	SEE B.O.M.	URETHANE FOAM
Item	R.M. Number	Material Description
	Drawn: JED	Title: .200" × .250" EMI
Cad File No. DC01641	Part No. EP8__X_____	Dwg. No. DC3E0164



ROCHESTER DIVISION PRODUCT PRINT

The information disclosed on this drawing is confidential and the property of Schlegel Systems, Inc. The use, disclosure, or reproduction of this information and related knowhow is prohibited without written permission from Schlegel Systems, Inc.

Revisions			
Lev	Description	Date	By
(A)			
(B)			
(C)			



1 : 1

DO NOT SCALE THIS DRAWING
UNLESS PRINTER IS QUALIFIED

DE0021FM.dwg

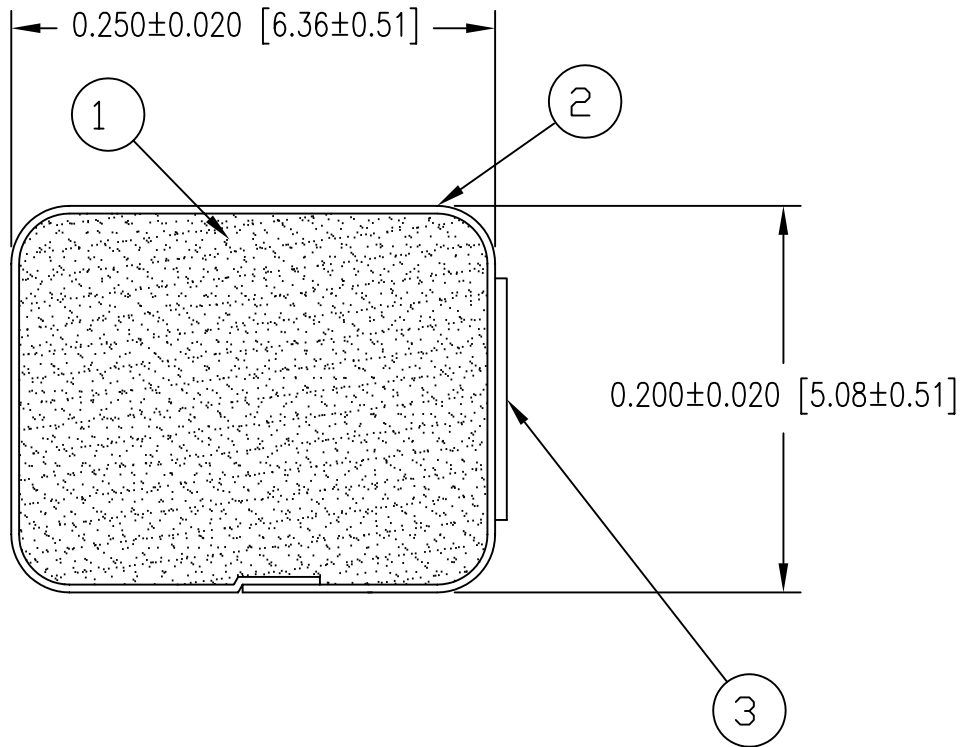
THIRD ANGLE PROJECTION 		(4)		
DECIMAL DIMENSIONS ± _____ UNLESS OTHERWISE SPECIFIED mm. <input checked="" type="checkbox"/> Inch <input checked="" type="checkbox"/>		(3)	SEE B.O.M.	PRESURE SENSITIVE ADHESIVE .125" WIDE
		(2)	SEE B.O.M.	CONDUCTIVE FABRIC
		(1)	SEE B.O.M.	URETHANE FOAM
Date: 5/31/05	Sheet 2 of 3	Item	R.M. Number	Material Description
Drawn Scale: 10 : 1	Approved:		Drawn: JED	Title: .200" × .250" EMI
Cad File No. DC01642	Part No. EP8		Dwg. No. DC3E0164	



ROCHESTER DIVISION PRODUCT PRINT

The information disclosed on this drawing is confidential and the property of Schlegel Systems, Inc. The use, disclosure, or reproduction of this information and related knowhow is prohibited without written permission from Schlegel Systems, Inc.

Revisions			
Lev	Description	Date	By
(A)			
(B)			
(C)			

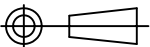


1 : 1

DO NOT SCALE THIS DRAWING
UNLESS PRINTER IS QUALIFIED

DE0021FM.dwg

THIRD ANGLE PROJECTION



DECIMAL DIMENSIONS ± _____
UNLESS OTHERWISE SPECIFIED

mm. Inch

Date: 5/31/05

Sheet 3 of 3

Drawn Scale: 10 : 1
Approved:

(4)		
(3)	SEE B.O.M.	PRESURE SENSITIVE ADHESIVE .125" WIDE
(2)	SEE B.O.M.	CONDUCTIVE FABRIC
(1)	SEE B.O.M.	URETHANE FOAM
Item	R.M. Number	Material Description
		Title: .200" x .250" EMI
Cad File No.	DC01643	Part No. EP8__A_____
		Dwg. No. DC3E0164