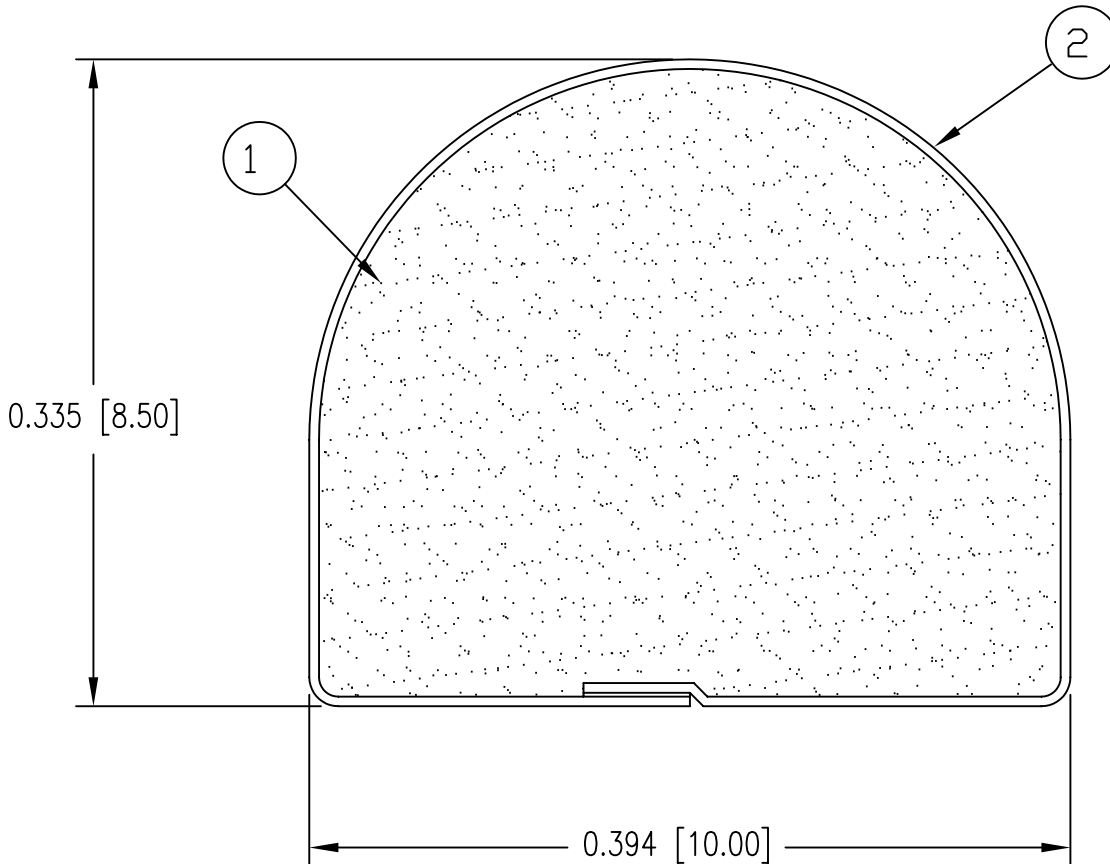




# ROCHESTER DIVISION PRODUCT PRINT

The information disclosed on this drawing is confidential and the property of Schlegel Systems, Inc. The use, disclosure, or reproduction of this information and related knowhow is prohibited without written permission from Schlegel Systems, Inc.

Revisions			
Lev	Description	Date	By
(A)	ADDED PROFILE NAME	6/15/05	JED
(B)			
(C)			



1 : 1

DO NOT SCALE THIS DRAWING  
UNLESS PRINTER IS QUALIFIED

DE0021FM.dwg

THIRD ANGLE PROJECTION 		(4)		
DECIMAL DIMENSIONS ± _____ UNLESS OTHERWISE SPECIFIED		(3)		
mm. <input checked="" type="checkbox"/>	Inch <input checked="" type="checkbox"/>	(2)	B.O.M.	CONDUCTIVE FABRIC
Date: 2/25/2005		(1)	B.O.M.	URETHANE FOAM
Sheet 1 of 1		Item	R.M. Number	Material Description
Drawn Scale: 10 : 1	Approved:		Drawn: JED	Title: D-SHAPE 8.5 MM × 10.0 MM
Cad File No. DC01011A	Part No. EP4		Dwg. No. DC3E0101	