

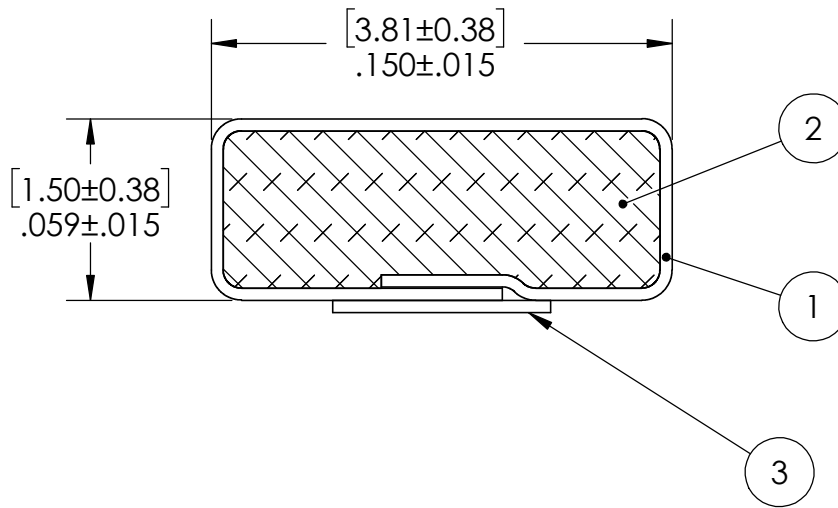


Revisions (UPDATED ALL PROCESS PRINTS. HISTORY CAN BE FOUND IN THE VAULT.)

Level	Description	Date	By
	SUPERCEDES: UC3E3811, REV00		
①	REDRAWN. ITEM 3 WAS .100" [2.5mm] WIDE.	09/27/2016	FJM
②			
③			

ROCHESTER DIVISION PRODUCT PRINT

The information disclosed in this drawing is confidential and the property of Schlegel Electronic Materials, INC. The use, disclosure, or reproduction of this information and related know-how is prohibited without written permission from Schlegel Electronic Materials, INC.



FULL SCALE

PDR 5425

DO NOT SCALE THIS DRAWING UNLESS PRINTER IS QUALIFIED.

DE0021FM.dwg		
ITEM NO.	DESCRIPTION	QTY.
1	CONDUCTIVE FABRIC	1
2	FOAM	1
3	PRESSURE SENSITIVE ADHESIVE .070" [1.8mm] WIDE	1
4		

Date:	DIMS: MILLIMETERS <input checked="" type="checkbox"/> INCHES <input checked="" type="checkbox"/>			
SHEET 1 OF 1	SCALE: 16:1	Approved By: _____	Drawn By: F.J.M.	Title: 1.5mm x 3.8mm EMI SEAL
Cad File No. UC3E3811	Part No. EN6__T_____	Dwg. No. UC3E3811	Rev. 01	