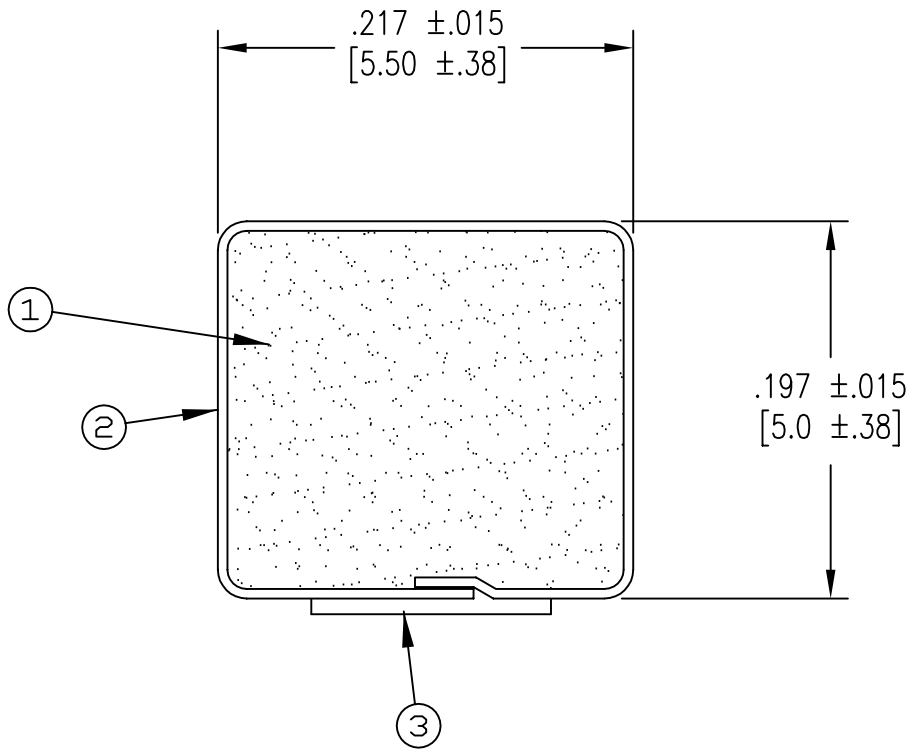




ROCHESTER DIVISION PRODUCT PRINT

The information disclosed on this drawing is confidential and the property of Schlegel Systems, Inc. The use, disclosure, or reproduction of this information and related knowhow is prohibited without written permission from Schlegel Systems, Inc.

Revisions			
Lev	Description	Date	By
(A)			
(B)			
(C)			



PDR 5477

DO NOT SCALE THIS DRAWING
UNLESS PRINTER IS QUALIFIED



FULL SCALE

DE0021FM.dwg

		(3)	SEE B.O.M.	PRESSURE SENSITIVE ADHESIVE .100" WIDE UNLESS OTHERWISE SPECIFIED
DECIMAL DIMENSIONS ± _____ UNLESS OTHERWISE SPECIFIED		(2)	SEE B.O.M.	CONDUCTIVE FABRIC
mm. <input checked="" type="checkbox"/>	Inch <input checked="" type="checkbox"/>	(1)	SEE B.O.M.	URETHANE FOAM
Date: 1/11/2005		Item		Material Description
Sheet 1 of 1		R.M. Number		Title: 5MM X 5.5MM EMI
Drawn Scale: 10 : 1	Approved:	Drawn: ED LEE		
Cad File No. UC38021	Part No. EN2__T_____	Dwg. No. UC3E3802		