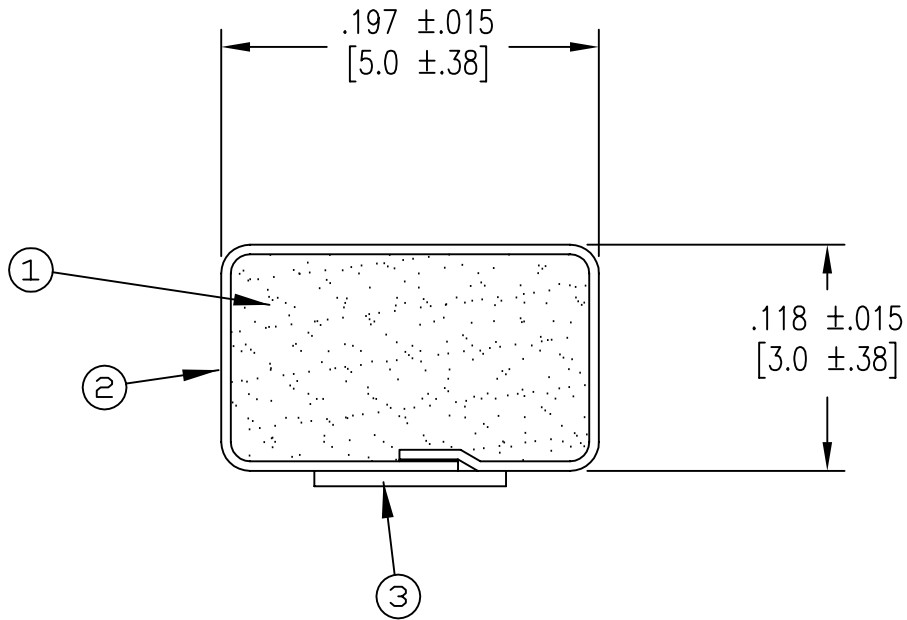




ROCHESTER DIVISION PRODUCT PRINT

The information disclosed on this drawing is confidential and the property of Schlegel Systems, Inc. The use, disclosure, or reproduction of this information and related knowhow is prohibited without written permission from Schlegel Systems, Inc.

Revisions			
Lev	Description	Date	By
(A)	REVISED MATERIALS	1/10/05	EJL
(B)			
(C)			



PDR 5474

DO NOT SCALE THIS DRAWING
UNLESS PRINTER IS QUALIFIED

FULL SCALE

DE0021FM.dwg

	(4)		
	(3)	R2855-010-2	PRESSURE SENSITIVE ADHESIVE .100" WIDE
	(2)	SEE B.O.M.	CONDUCTIVE FABRIC
	(1)	SEE B.O.M.	URETHANE FOAM
DECIMAL DIMENSIONS ± _____ UNLESS OTHERWISE SPECIFIED			
mm. <input checked="" type="checkbox"/>	Inch <input checked="" type="checkbox"/>		
Date: 10/17/1997			
Sheet 1 of 1		Item	R.M. Number
Drawn Scale: 10 : 1		Material Description	
Approved:		Drawn: ED LEE	Title: 3MM X 5MM EMI
Cad File No. UC16321A	Part No. EM8__T_____	Dwg. No. UC3E1632	