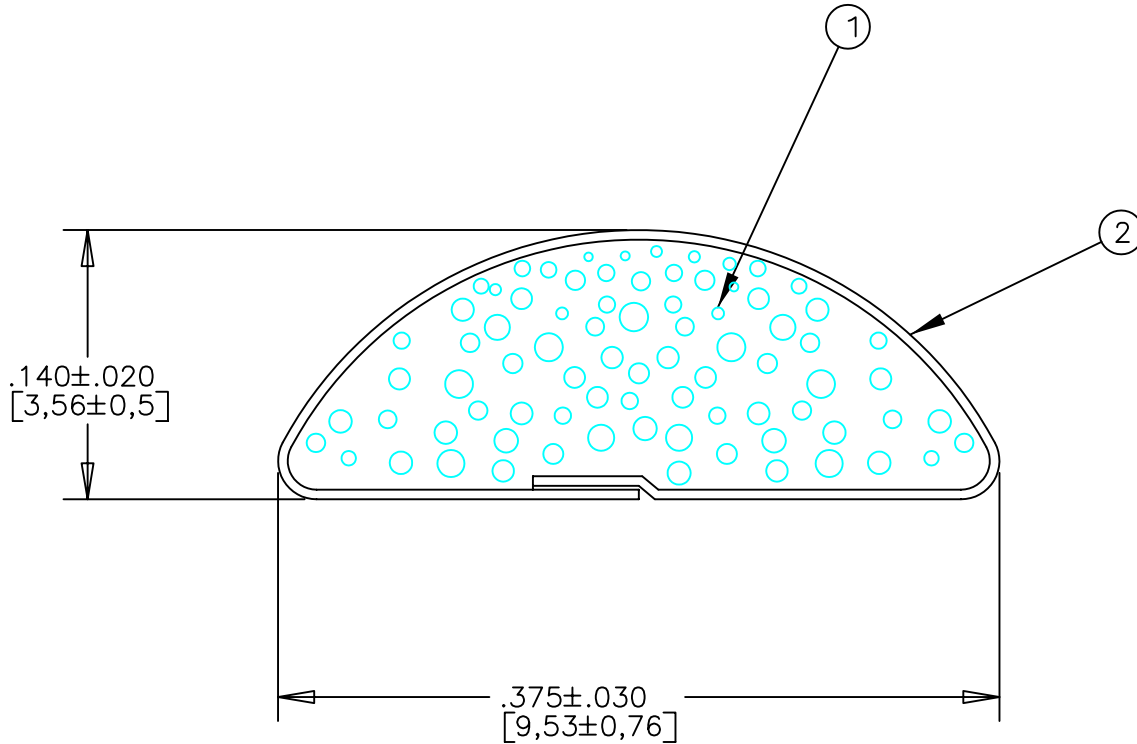


Lev	Description	Date	By
(A)			
(B)			
(C)			

The information disclosed on this drawing is confidential and the property of SEM, Inc. The use, disclosure or reproduction of this information and related knowhow is prohibited without written permission from Schlegel Electronic Materials, Inc.



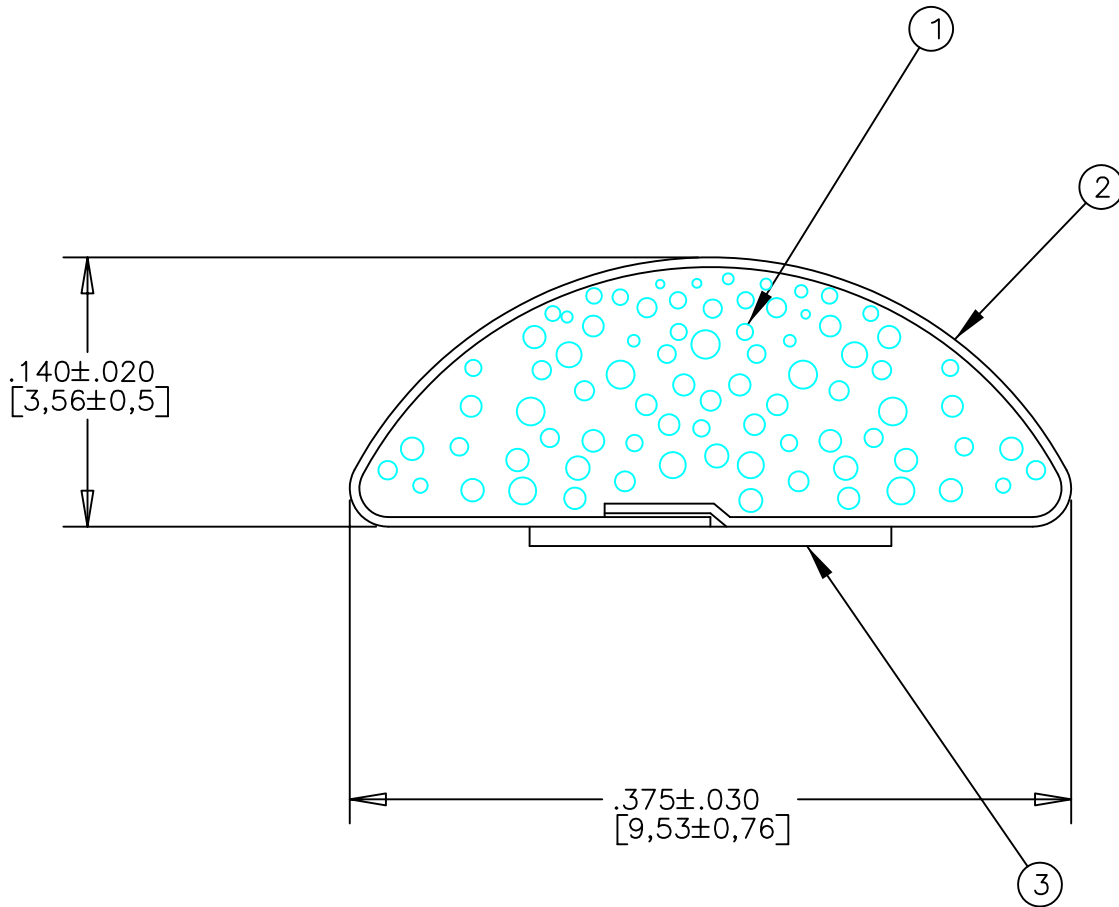
PDR 4425  
DO NOT SCALE THIS DRAWING  
UNLESS PRINTER IS QUALIFIED

DE0021FM.dwg

	(4)		
	(3)		
DECIMAL DIMENSIONS ± _____ UNLESS OTHERWISE SPECIFIED	(2)	SEE B.O.M.	CONDUCTIVE FABRIC
mm. <input checked="" type="checkbox"/> Inch <input checked="" type="checkbox"/>	(1)	SEE B.O.M.	URETHANE FOAM
Date: 9/14/2004	Item	R.M. Number	Material Description
Sheet 1 of 2			
Drawn Scale: 10 : 1	Approved:	Drawn: ED LEE	Title: D-SHAPE .140 X .375 EMI LOW CLD
Cad File No. UC28961	Part No. EM6__X_____	Dwg. No. UC3E2896	

Lev	Description	Date	By
(A)			
(B)			
(C)			

The information disclosed on this drawing is confidential and the property of SEM, Inc. The use, disclosure or reproduction of this information and related knowhow is prohibited without written permission from Schlegel Electronic Materials, Inc.




FULL SCALE

PDR 4425  
DO NOT SCALE THIS DRAWING  
UNLESS PRINTER IS QUALIFIED

DE0021FM.dwg

DECIMAL DIMENSIONS ± _____ UNLESS OTHERWISE SPECIFIED		③ SEE B.O.M.		PRESSURE SENSITIVE ADHESIVE .188" WIDE UNLESS OTHERWISE SPECIFIED
mm. <input checked="" type="checkbox"/>	Inch <input checked="" type="checkbox"/>	② SEE B.O.M.		CONDUCTIVE FABRIC
Date: 9/14/2004		① SEE B.O.M.		URETHANE FOAM
Sheet 2 of 2		Item	R.M. Number	Material Description
Drawn Scale: 10 : 1	Approved:	Drawn: ED LEE		Title: D-SHAPE .140 X .375 EMI LOW CLD
Cad File No. UC28962	Part No. EM6	Dwg. No. UC3E2896		