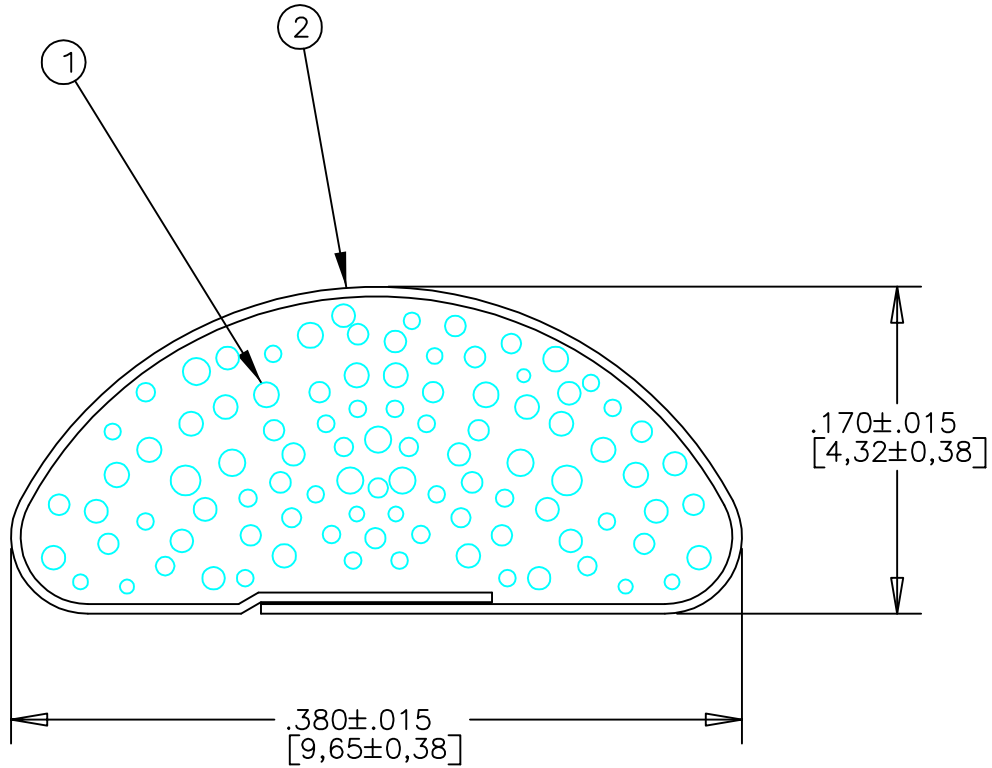




ROCHESTER DIVISION
PRODUCT PRINT

The information disclosed on this drawing is confidential and the property of Schlegel Systems, Inc. The use, disclosure, or reproduction of this information and related knowhow is prohibited without written permission from Schlegel Systems, Inc.

Revisions			
Lev	Description	Date	By
(A)			
(B)			
(C)			



SCALE 1.000

SIMILAR TO E50
DO NOT SCALE THIS DRAWING
UNLESS PRINTER IS QUALIFIED

DE0021FM.dwg

	(4)		
	(3)		
DECIMAL DIMENSIONS ± _____ UNLESS OTHERWISE SPECIFIED	(2)	SEE B.O.M.	CONDUCTIVE FABRIC
mm. <input checked="" type="checkbox"/> Inch <input checked="" type="checkbox"/>	(1)	SEE B.O.M.	URETHANE FOAM
Date: 9/14/2004	Item	R.M. Number	Material Description
Sheet 1 of 3			
Drawn Scale: 10 : 1	Approved:	Drawn: ED LEE	Title: D-SHAPE 170 X .380 EMI LOW CLD
Cad File No. UC37301	Part No. EM5__X_____	Dwg. No. UC3E3730	

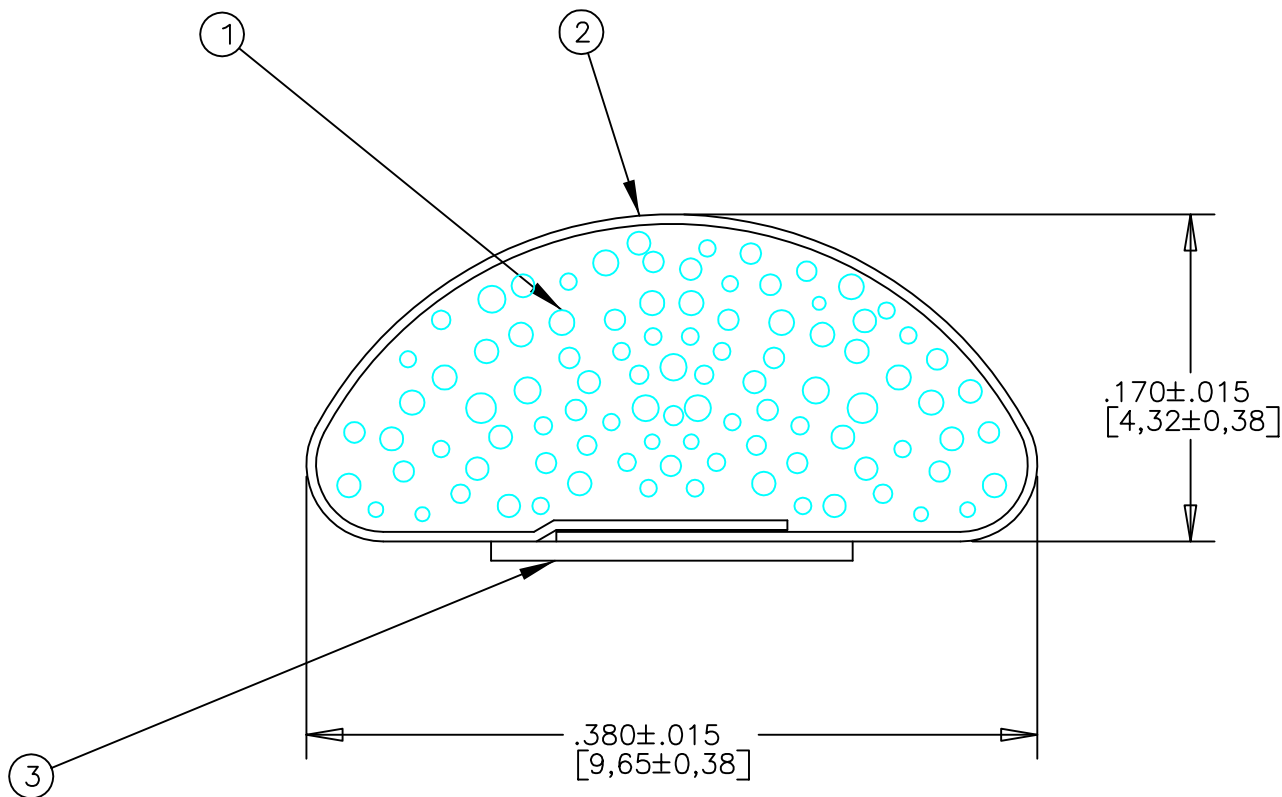


ROCHESTER DIVISION PRODUCT PRINT

The information disclosed on this drawing is confidential and the property of Schlegel Systems, Inc. The use, disclosure, or reproduction of this information and related knowhow is prohibited without written permission from Schlegel Systems, Inc.

Revisions

Lev	Description	Date	By
(A)			
(B)			
(C)			



SCALE 1.000

SIMILAR TO E50
DO NOT SCALE THIS DRAWING
UNLESS PRINTER IS QUALIFIED

DE0021FM.dwg

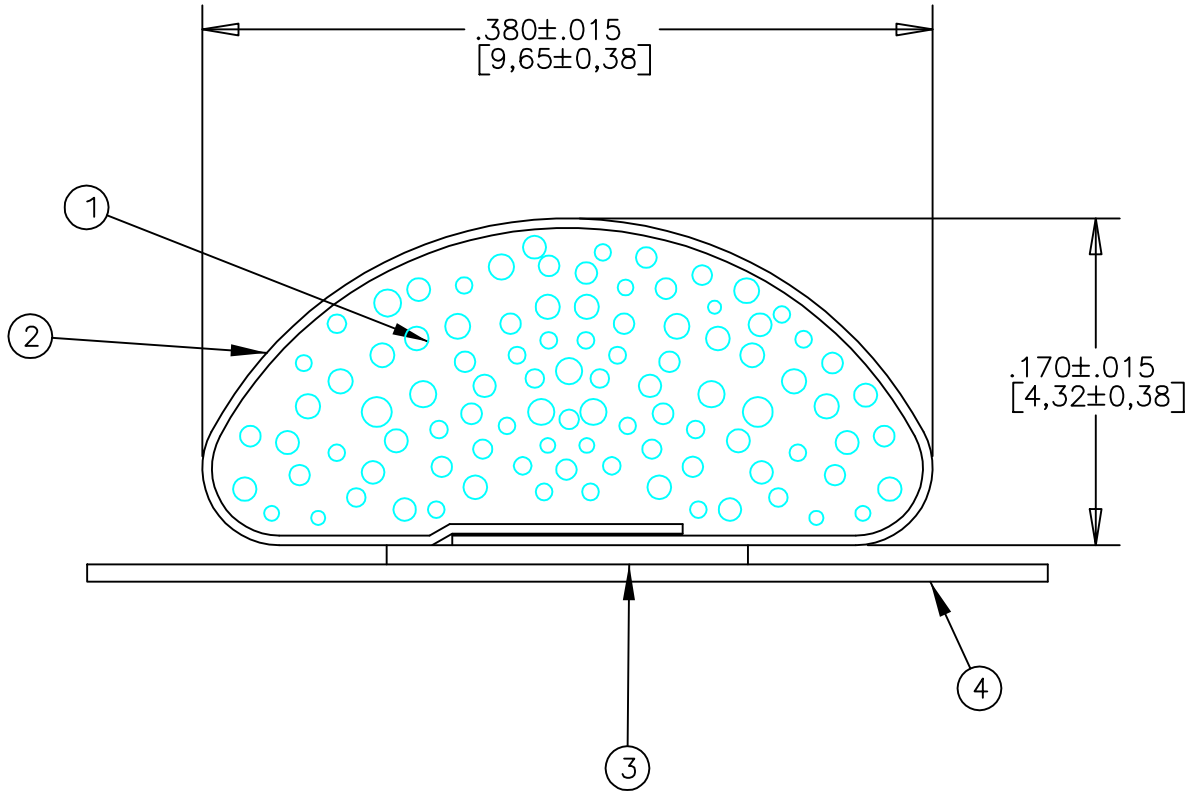
DECIMAL DIMENSIONS ± _____ UNLESS OTHERWISE SPECIFIED		(3)	SEE B.O.M.	PRESSURE SENSITIVE ADHESIVE .188" WIDE UNLESS OTHERWISE SPECIFIED
mm. <input checked="" type="checkbox"/> Inch <input checked="" type="checkbox"/>		(2)	SEE B.O.M.	CONDUCTIVE FABRIC
Date: 9/14/2004		(1)	SEE B.O.M.	URETHANE FOAM
Sheet 2 of 3		Item	R.M. Number	Material Description
Drawn Scale: 10 : 1	Approved:		Drawn: ED LEE	Title: D-SHAPE 170 X .380 EMI LOW CLD
Cad File No. UC37302	Part No. EM5			Dwg. No. UC3E3730



ROCHESTER DIVISION PRODUCT PRINT

The information disclosed on this drawing is confidential and the property of Schlegel Systems, Inc. The use, disclosure, or reproduction of this information and related knowhow is prohibited without written permission from Schlegel Systems, Inc.

Revisions			
Lev	Description	Date	By
(A)			
(B)			
(C)			



SIMILAR TO E50
DO NOT SCALE THIS DRAWING
UNLESS PRINTER IS QUALIFIED



SCALE 1.000

DE0021FM.dwg

DECIMAL DIMENSIONS ± _____
UNLESS OTHERWISE SPECIFIED

mm. Inch

Date: 9/14/2004

Sheet 3 of 3

Drawn Scale: 10 : 1

Approved:

Drawn: ED LEE

Title: D-SHAPE 170 X .380 EMI LOW CLD

Cad File No. UC37303

Part No. EM5 _____

Dwg. No. UC3E3730

Item	R.M. Number	Material Description
(4)	SEE B.O.M.	RELEASE LINER .500" WIDE UNLESS OTHERWISE SPECIFIED
(3)	SEE B.O.M.	PRESSURE SENSITIVE ADHESIVE .188" WIDE UNLESS OTHERWISE SPECIFIED
(2)	SEE B.O.M.	CONDUCTIVE FABRIC
(1)	SEE B.O.M.	URETHANE FOAM