



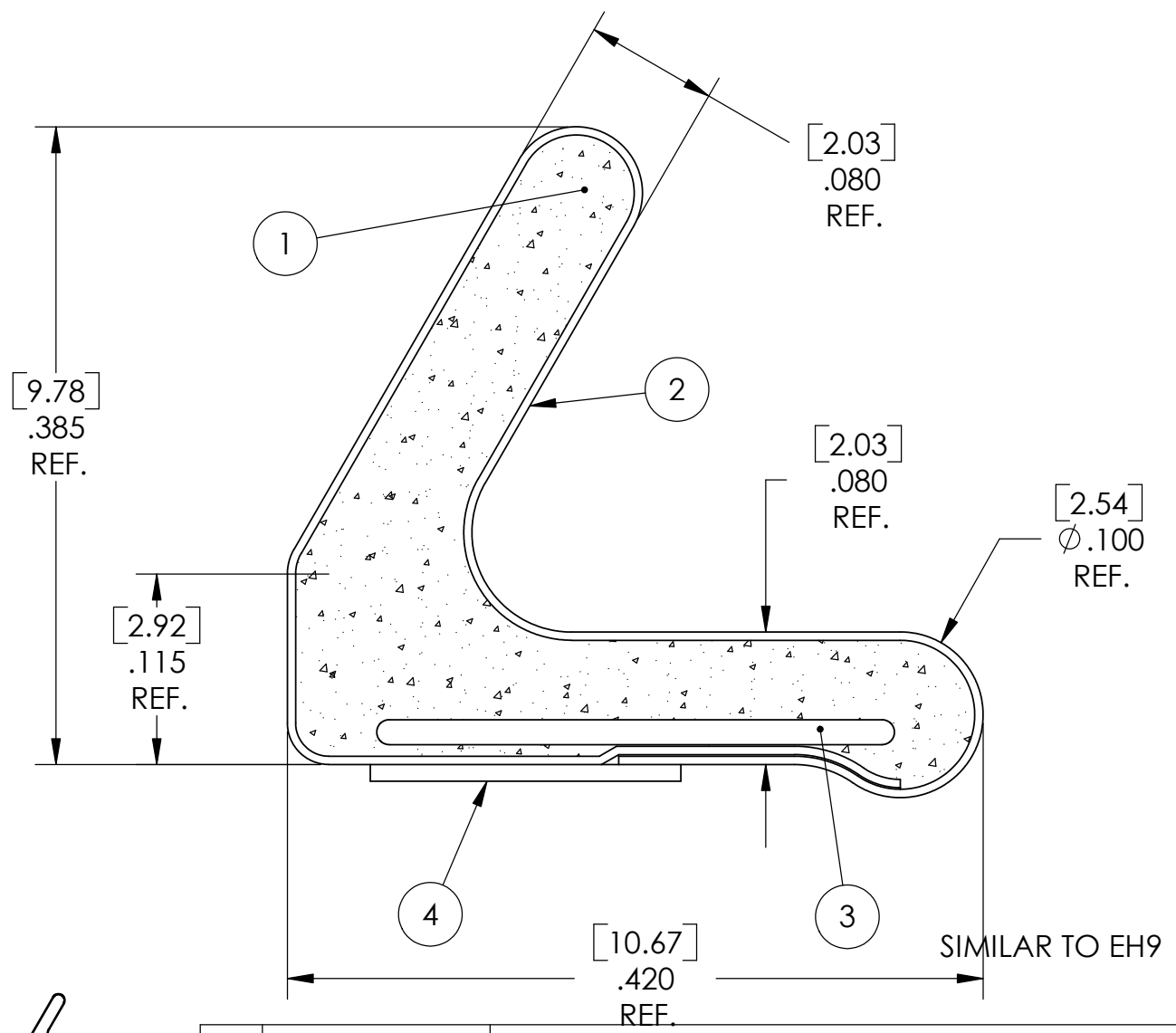
ROCHESTER DIVISION
PRODUCT PRINT

The information disclosed on this drawing is confidential and the property of Schlegel Systems Inc. The use, disclosure, or reproduction of this of this information and related knowhow is prohibited without written permission from Schlegel

REVISIONS

LEV	DESCRIPTION	DATE	BY

NOTE: DIMENSIONS ARE ESTIMATED PER CUSTOMER SKETCH.
CONFIRM DIM'S WITH CUSTOMER AT TIME OF ORDER.



FULL SCALE

4	SEE B.O.M.	PRESSURE SENSITIVE ADHESIVE .188" WIDE UNLESS OTHERWISE SPECIFIED
3	SEE B.O.M.	.015" X .312" POLYCARBONATE INSERT
2	SEE B.O.M.	NUCU C12 CONDUCTIVE FABRIC
1	SEE B.O.M.	RETHANE FOAM

DECIMAL DIMENSIONS ± UNLESS OTHERWISE SPECIFIED
mm. In.
12/1/2003

SHEET 1 OF 1		ITEM	R. M. NUMBER	MATERIAL DESCRIPTION	
SCALE: 10:1	APPROVED:	CHECKED:	DRAWN: EJL	TITLE: 385 BULBED C-FOLD WITH INSERT	
CAD FILE NO.:			PART NO.: EM4_T	DRW. NO.: UC3E3484	DE0013FM