

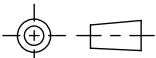
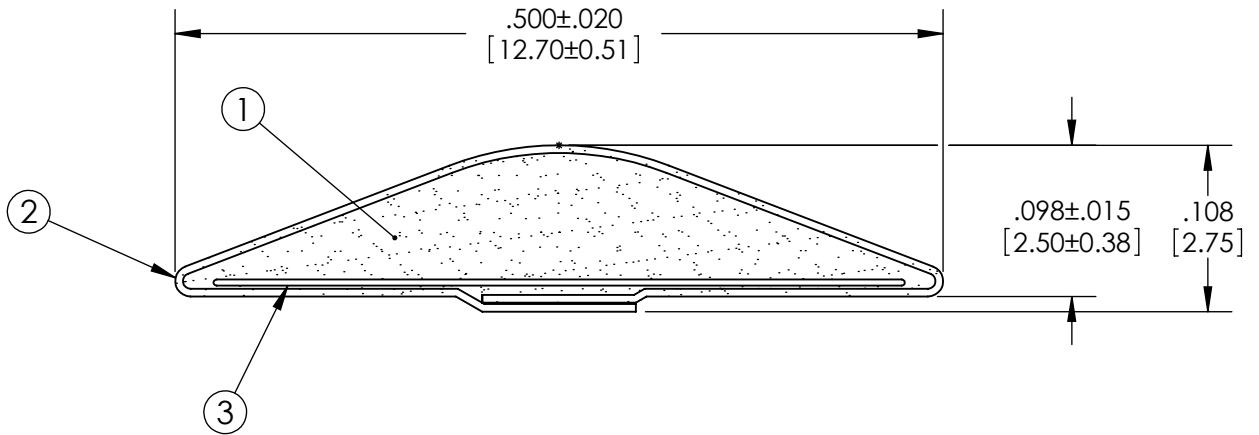
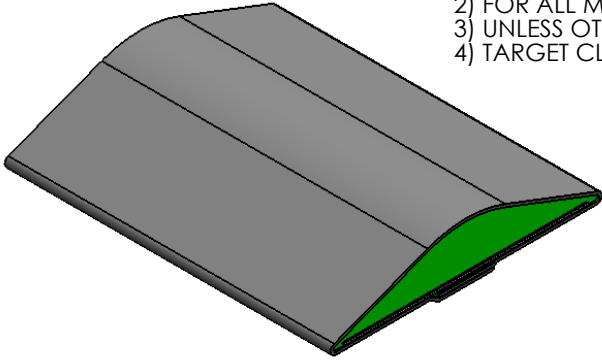
Level		Date	By
(A)	REV PER ECO 0098	3/30/10	BEP
(B)			
(C)			
(D)			

ROCHESTER DIVISION PRODUCT PRINT

The information disclosed in this drawing is confidential and the property of Schlegel Electronic Materials, INC. The use, disclosure, or reproduction of this information and related know-how is prohibited without written permission from Schlegel Electronic Materials, INC.

NOTES:

- 1) REFERENCE DIMENSIONS (REF) HAVE NO TOLERANCE AND ARE FOR INFORMATIVE PURPOSES ONLY.
- 2) FOR ALL MISSING DIMENSIONS 3D CAD FILES SHOULD BE USED.
- 3) UNLESS OTHERWISE SPECIFIED INTERPRET TOLERANCES ACCORDING TO ISO 2768C.
- 4) TARGET CLD SPECIFICATION: 2.5lb ± 1lb



TOLERANCES

Profile thickness: ±.015" (0.38mm)  
 Profile width: ±.020" (0.51mm)



SCALE 1:1

PDR NO.:	(4)		
QUOTE NO.:	(3)	SEE B.O.M.	SCRIM
CUSTOMER NAME:	(2)	SEE B.O.M.	CONDUCTIVE FABRIC
CUST DWG NO.:	(1)	SEE B.O.M.	URETHANE FOAM
SIZE	Date	8/14/2003	
<b>A</b>	SHEET 1 OF 2		Item No. RM Number Material Description
SCALE: 8:1	Approved By	Drawn By EJL	Title 2.7mm x 12.7mm D-SHAPE EMI
Cad File No. UC34051A	Part No. EK6xxXXXXX	Dwg. No. UC3E3405	Rev. A

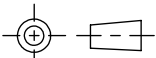
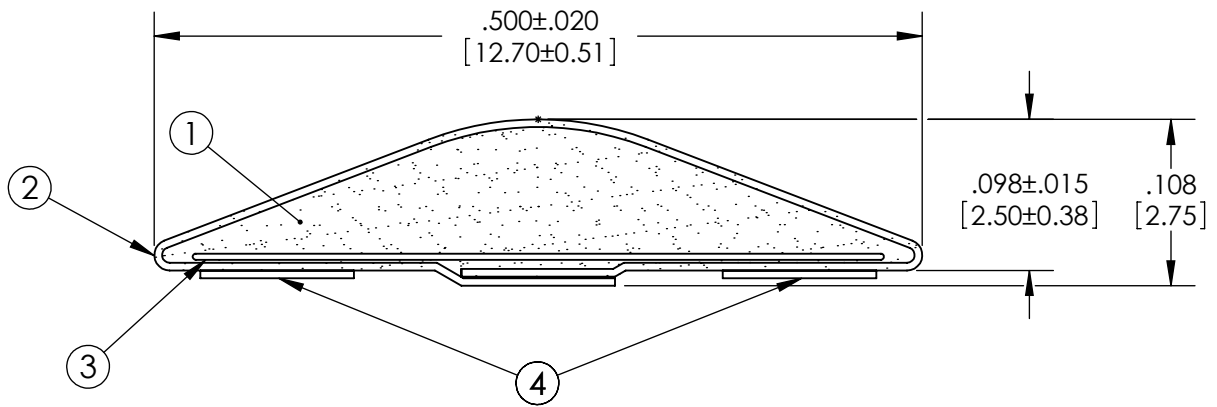
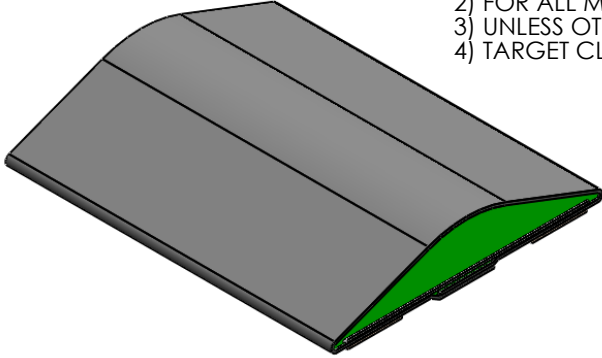
Level		Date	By
(A)	REV PER ECO 0098	3/30/10	BEP
(B)			
(C)			
(D)			

ROCHESTER DIVISION PRODUCT PRINT

The information disclosed in this drawing is confidential and the property of Schlegel Electronic Materials, INC. The use, disclosure, or reproduction of this information and related know-how is prohibited without written permission from Schlegel Electronic Materials, INC.

NOTES:

- 1) REFERENCE DIMENSIONS (REF) HAVE NO TOLERANCE AND ARE FOR INFORMATIVE PURPOSES ONLY.
- 2) FOR ALL MISSING DIMENSIONS 3D CAD FILES SHOULD BE USED.
- 3) UNLESS OTHERWISE SPECIFIED INTERPRET TOLERANCES ACCORDING TO ISO 2768C.
- 4) TARGET CLD SPECIFICATION: 2.5lb ± 1lb



TOLERANCES

Profile thickness: ±.015" (0.38mm)  
 Profile width: ±.020" (0.51mm)



SCALE 1:1

PDR NO.:	(4)	SEE B.O.M.	PSA .100" WIDE (UNLESS OTHERWISE SPECIFIED)
QUOTE NO.:	(3)	SEE B.O.M.	SCRIM
CUSTOMER NAME:	(2)	SEE B.O.M.	CONDUCTIVE FABRIC
CUST DWG NO.:	(1)	SEE B.O.M.	URETHANE FOAM
SIZE	Date	8/14/2003	
<b>A</b>	SHEET 2 OF 2		Material Description
SCALE: 8:1	Approved By	Drawn By	EJL
Title		2.7mm x 12.7mm D-SHAPE EMI	
Cad File No.	UC34051A	Part No.	EK6xx2Txxxx
Dwg. No.	UC3E3405	Rev.	A