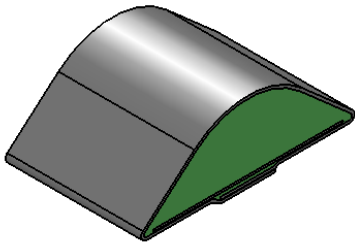


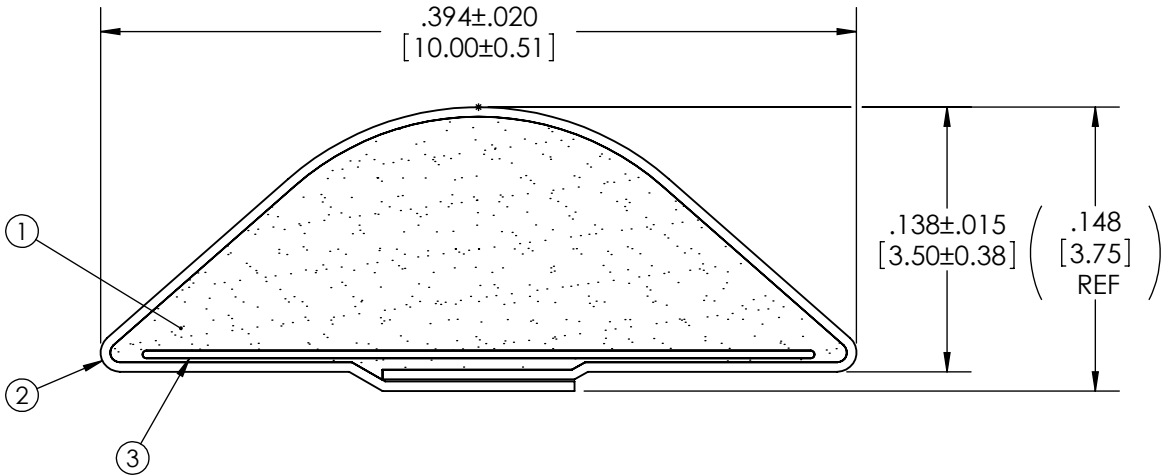
Level		Date	By
(A)	REV PER ECO 0098	3/29/10	BEP
(B)			
(C)			
(D)			

ROCHESTER DIVISION PRODUCT PRINT

The information disclosed in this drawing is confidential and the property of Schlegel Electronic Materials, INC. The use, disclosure, or reproduction of this information and related know-how is prohibited without written permission from Schlegel Electronic Materials, INC.



- NOTES:
- 1) REFERENCE DIMENSIONS (REF) HAVE NO TOLERANCE AND ARE FOR INFORMATIVE PURPOSES ONLY.
 - 2) FOR ALL MISSING DIMENSIONS 3D CAD FILES SHOULD BE USED.
 - 3) UNLESS OTHERWISE SPECIFIED INTERPRET TOLERANCES ACCORDING TO ISO 2768C.
 - 4) TARGET CLD SPECIFICATION: 2.5lb ± 1lb



TOLERANCES

Profile thickness: ±.015" (0.38mm)
 Profile width: ±.020" (0.51mm)



DIMS: MILLIMETERS <input checked="" type="checkbox"/> INCHES <input checked="" type="checkbox"/>		<input checked="" type="checkbox"/> <input type="checkbox"/>		(4)		
PDR NO.:	N/A	(3)	SEE B.O.M.		SCRIM	
CUSTOMER NAME:	N/A	(2)	SEE B.O.M.		CONDUCTIVE FABRIC	
CUST DWG NO.:	N/A	(1)	SEE B.O.M.		URETHANE FOAM	
SIZE	Date 10/9/2006	Item No.	RM Number	Material Description		
SCALE: 10:1	Approved By	Drawn By JED	Title 3.8mm x 10mm D-SHAPE EMI			
Cad File No. UC33551A	Part No. EK3xxXXXXXX	Dwg. No. UC3E3355	Rev. A			

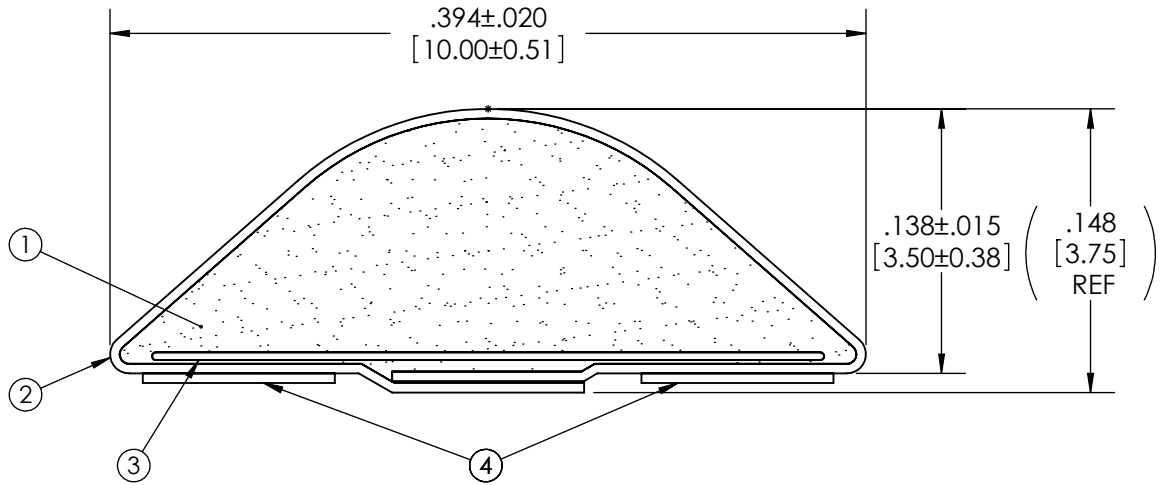
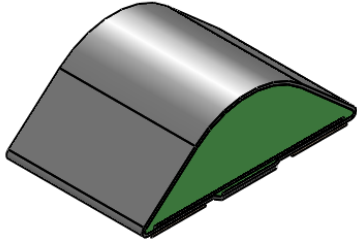
Level		Date	By
(A)	REV PER ECO 0098	3/29/10	BEP
(B)			
(C)			
(D)			

ROCHESTER DIVISION PRODUCT PRINT

The information disclosed in this drawing is confidential and the property of Schlegel Electronic Materials, INC. The use, disclosure, or reproduction of this information and related know-how is prohibited without written permission from Schlegel Electronic Materials, INC.

NOTES:

- 1) REFERENCE DIMENSIONS (REF) HAVE NO TOLERANCE AND ARE FOR INFORMATIVE PURPOSES ONLY.
- 2) FOR ALL MISSING DIMENSIONS 3D CAD FILES SHOULD BE USED.
- 3) UNLESS OTHERWISE SPECIFIED INTERPRET TOLERANCES ACCORDING TO ISO 2768C.
- 4) TARGET CLD SPECIFICATION: 2.5lb ± 1lb



TOLERANCES

Profile thickness: ±.015" (0.38mm)
 Profile width: ±.020" (0.51mm)



SCALE 1:1

DIMS: MILLIMETERS <input checked="" type="checkbox"/> INCHES <input checked="" type="checkbox"/>		<input checked="" type="checkbox"/> <input type="checkbox"/>	(4)	SEE B.O.M.	PSA .100" WIDE (UNLESS OTHERWISE SPECIFIED)
PDR NO.: N/A			(3)	SEE B.O.M.	SCRIM
CUSTOMER NAME: N/A			(2)	SEE B.O.M.	CONDUCTIVE FABRIC
CUST DWG NO.: N/A			(1)	SEE B.O.M.	URETHANE FOAM
SIZE	Date	10/9/2009	Item No.		RM Number
A	SHEET 2 OF 2				Material Description
SCALE:	10:1	Approved By	Drawn By		JED
Title		3.8mm x 10mm D-SHAPE EMI			
Cad File No.	UC33551A	Part No.	EK3xx2Txxxx	Dwg. No.	UC3E3355
					Rev. A