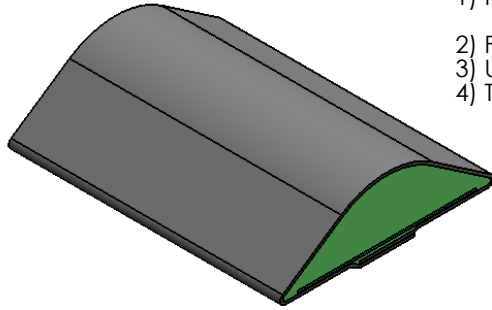


Level		Date	By
(A)	REV PER ECO 0098	3/30/10	BEP
(B)			
(C)			
(D)			

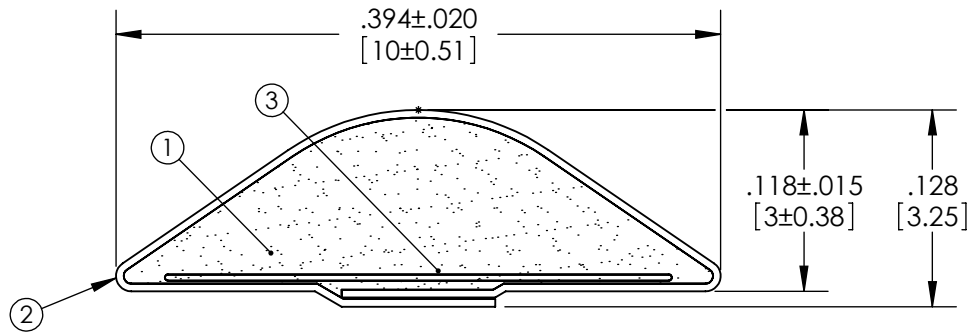
ROCHESTER DIVISION PRODUCT PRINT

The information disclosed in this drawing is confidential and the property of Schlegel Electronic Materials, INC. The use, disclosure, or reproduction of this information and related know-how is prohibited without written permission from Schlegel Electronic Materials, INC.



NOTES:

- 1) REFERENCE DIMENSIONS (REF) HAVE NO TOLERANCE AND ARE FOR INFORMATIVE PURPOSES ONLY.
- 2) FOR ALL MISSING DIMENSIONS 3D CAD FILES SHOULD BE USED.
- 3) UNLESS OTHERWISE SPECIFIED INTERPRET TOLERANCES ACCORDING TO ISO 2768C.
- 4) TARGET CLD SPECIFICATION: 2.5lb ± 1lb



TOLERANCES

Profile thickness: ±.015" (0.38mm)  
 Profile width: ±.020" (0.51mm)



DIMS: MILLIMETERS <input checked="" type="checkbox"/> INCHES <input checked="" type="checkbox"/>		<input checked="" type="checkbox"/> <input type="checkbox"/> <input type="checkbox"/>		(4)		
PDR NO.:		(3)		SEE B.O.M.	SCRIM	
CUSTOMER NAME:		(2)		SEE B.O.M.	CONDUCTIVE FABRIC	
CUST DWG NO.:		(1)		SEE B.O.M.	URETHANE FOAM	
SIZE A	Date 8/6/2003	Item No.	RM Number	Material Description		
SCALE: 8:1	Approved By	Drawn By BEP	Title 3mm x 10mm D-SHAPE EMI			
Cad File No. UC33541A	Part No. EK2xxXxxxxx	Dwg. No. UC3E3354	Rev. A			

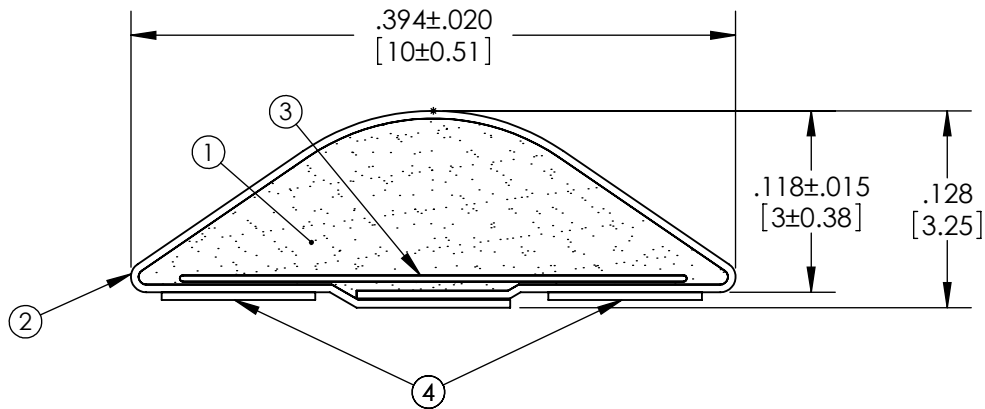
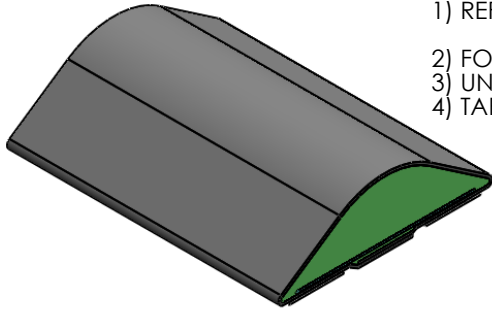
Level		Date	By
(A)	REV PER ECO 0098	3/30/10	BEP
(B)			
(C)			
(D)			

ROCHESTER DIVISION PRODUCT PRINT

The information disclosed in this drawing is confidential and the property of Schlegel Electronic Materials, INC. The use, disclosure, or reproduction of this information and related know-how is prohibited without written permission from Schlegel Electronic Materials, INC.

NOTES:

- 1) REFERENCE DIMENSIONS (REF) HAVE NO TOLERANCE AND ARE FOR INFORMATIVE PURPOSES ONLY.
- 2) FOR ALL MISSING DIMENSIONS 3D CAD FILES SHOULD BE USED.
- 3) UNLESS OTHERWISE SPECIFIED INTERPRET TOLERANCES ACCORDING TO ISO 2768C.
- 4) TARGET CLD SPECIFICATION: 2.5lb ± 1lb

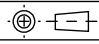


TOLERANCES

Profile thickness: ±.015" (0.38mm)  
 Profile width: ±.020" (0.51mm)



SCALE 1:1

DIMS: MILLIMETERS <input checked="" type="checkbox"/> INCHES <input checked="" type="checkbox"/> 		(4)	SEE B.O.M.	PSA .100" WIDE (UNLESS OTHERWISE SPECIFIED)
PDR NO.:		(3)	SEE B.O.M.	SCRIM
CUSTOMER NAME:		(2)	SEE B.O.M.	CONDUCTIVE FABRIC
CUST DWG NO.:		(1)	SEE B.O.M.	URETHANE FOAM
SIZE <b>A</b>	Date 8/6/2003	SHEET 2 OF 2		Material Description
SCALE: 8:1	Approved By	Item No.	RM Number	Title 3mm x 10mm D-SHAPE EMI
Cad File No. UC33541A	Part No. EK2xx2Txxxx	Drawn By BEP	Dwg. No. UC3E3354	Rev. A