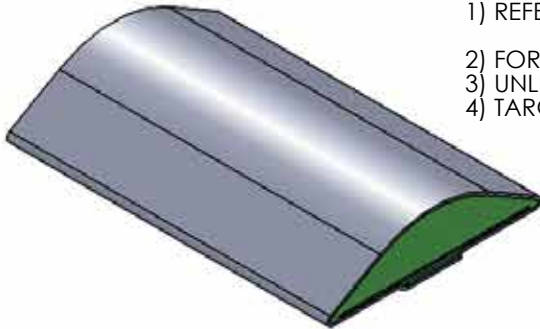


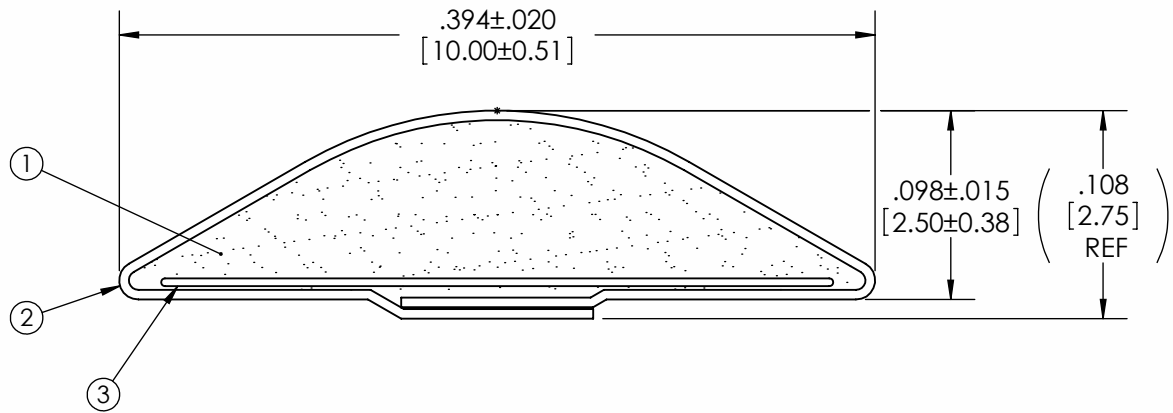
Level		Date	By
(A)	REV PER ECO 0098	3/29/10	BEP
(B)	REV PER ECO 0106	7/22/10	BEP
(C)			
(D)			

ROCHESTER DIVISION PRODUCT PRINT

The information disclosed in this drawing is confidential and the property of Schlegel Electronic Materials, INC. The use, disclosure, or reproduction of this information and related know-how is prohibited without written permission from Schlegel Electronic Materials, INC.



- NOTES:
- 1) REFERENCE DIMENSIONS (REF) HAVE NO TOLERANCE AND ARE FOR INFORMATIVE PURPOSES ONLY.
 - 2) FOR ALL MISSING DIMENSIONS 3D CAD FILES SHOULD BE USED.
 - 3) UNLESS OTHERWISE SPECIFIED INTERPRET TOLERANCES ACCORDING TO ISO 2768C.
 - 4) TARGET CLD SPECIFICATION: 2.5lb ± 1lb



TOLERANCES

Profile thickness: ±.015" (0.38mm)
 Profile width: ±.020" (0.51mm)



SCALE 1:1

DIMS: MILLIMETERS <input checked="" type="checkbox"/> INCHES <input checked="" type="checkbox"/>		<input checked="" type="checkbox"/> <input type="checkbox"/>		(4)		
PDR NO.:	N/A	(3)	SEE B.O.M.		SCRIM	
CUSTOMER NAME:	N/A	(2)	SEE B.O.M.		CONDUCTIVE FABRIC	
CUST DWG NO.:	N/A	(1)	SEE B.O.M.		URETHANE FOAM	
SIZE	Date 10/9/2006	Item No.	RM Number	Material Description		
SCALE: 10:1	Approved By	Drawn By EJL	Title 2.7mm x 10mm FLAT D-SHAPE			
Cad File No. UC33531B	Part No. EK1xxXXXXXX	Dwg. No. UC3E3353	Rev. B			

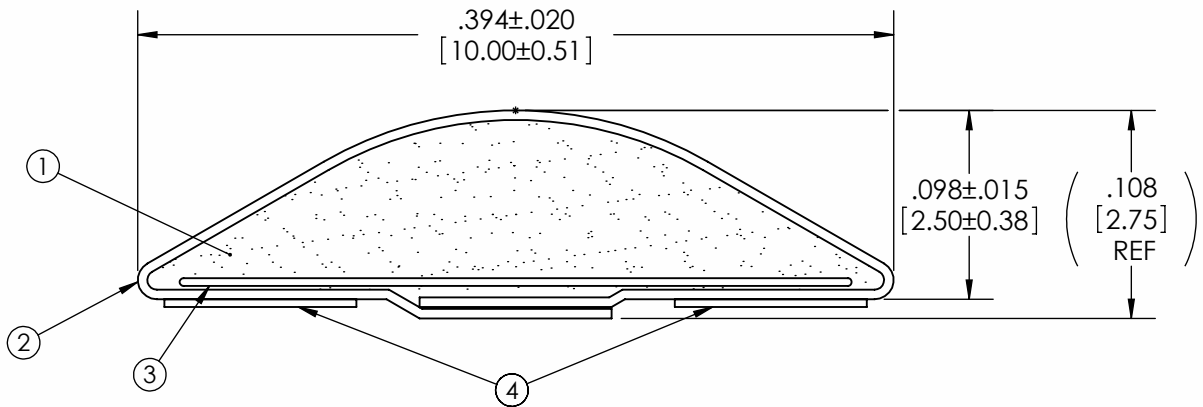
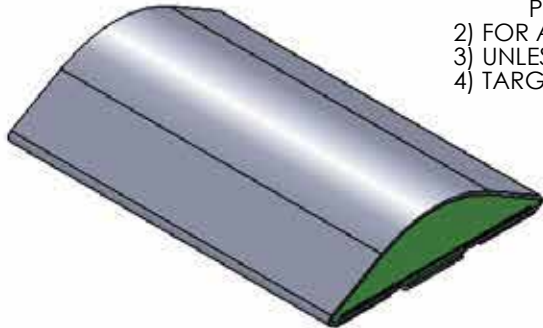
Level		Date	By
(A)	REV PER ECO 0098	3/29/10	BEP
(B)	REV PER ECO 0106	7/22/10	BEP
(C)			
(D)			

ROCHESTER DIVISION PRODUCT PRINT

The information disclosed in this drawing is confidential and the property of Schlegel Electronic Materials, INC. The use, disclosure, or reproduction of this information and related know-how is prohibited without written permission from Schlegel Electronic Materials, INC.

NOTES:

- 1) REFERENCE DIMENSIONS (REF) HAVE NO TOLERANCE AND ARE FOR INFORMATIVE PURPOSES ONLY.
- 2) FOR ALL MISSING DIMENSIONS 3D CAD FILES SHOULD BE USED.
- 3) UNLESS OTHERWISE SPECIFIED INTERPRET TOLERANCES ACCORDING TO ISO 2768C.
- 4) TARGET CLD SPECIFICATION: 2.5lb ± 1lb



TOLERANCES

Profile thickness: $\pm .015"$ (0.38mm)
 Profile width: $\pm .020"$ (0.51mm)



DIMS: MILLIMETERS <input checked="" type="checkbox"/> INCHES <input checked="" type="checkbox"/>		<input checked="" type="checkbox"/> <input type="checkbox"/>	(4)	SEE B.O.M.	PSA .100" WIDE (UNLESS OTHERWISE SPECIFIED)
PDR NO.: N/A			(3)	SEE B.O.M.	SCRIM
CUSTOMER NAME: N/A			(2)	SEE B.O.M.	CONDUCTIVE FABRIC
CUST DWG NO.: N/A			(1)	SEE B.O.M.	URETHANE FOAM
SIZE A	Date 10/9/2006		Item No.	RM Number	Material Description
SCALE: 10:1		Approved By	Drawn By E.J.L.		Title 2.7mm x 10mm FLAT D-SHAPE
Cad File No. UC33531B	Part No. EK1xx2Txxxx	Dwg. No. UC3E3353		Rev. B	

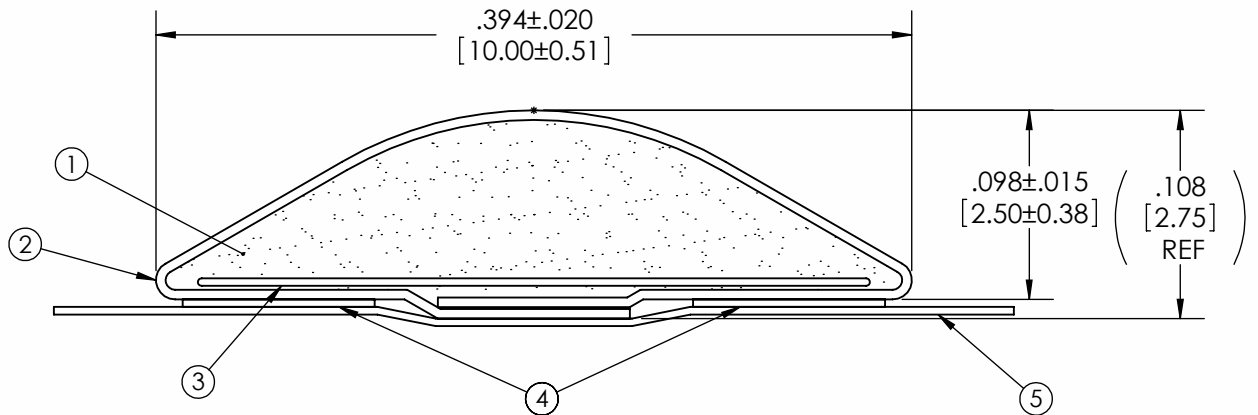
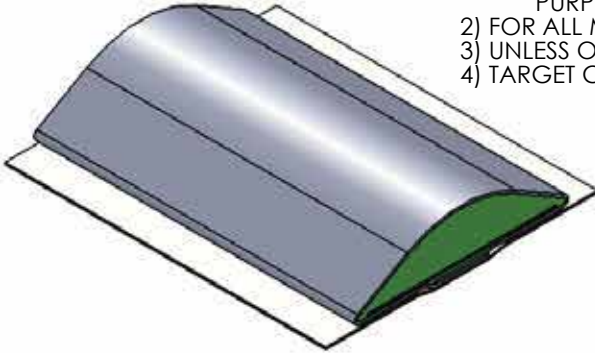
Level		Date	By
(A)	REV PER ECO 0098	3/29/10	BEP
(B)	REV PER ECO 0106	7/22/10	BEP
(C)			
(D)			

ROCHESTER DIVISION PRODUCT PRINT

The information disclosed in this drawing is confidential and the property of Schlegel Electronic Materials, INC. The use, disclosure, or reproduction of this information and related know-how is prohibited without written permission from Schlegel Electronic Materials, INC.

NOTES:

- 1) REFERENCE DIMENSIONS (REF) HAVE NO TOLERANCE AND ARE FOR INFORMATIVE PURPOSES ONLY.
- 2) FOR ALL MISSING DIMENSIONS 3D CAD FILES SHOULD BE USED.
- 3) UNLESS OTHERWISE SPECIFIED INTERPRET TOLERANCES ACCORDING TO ISO 2768C.
- 4) TARGET CLD SPECIFICATION: 2.5ib ± 1lb



SCALE 1:1

TOLERANCES

Profile thickness: ±.015" (0.38mm)
 Profile width: ±.020" (0.51mm)

DIMS: MILLIMETERS INCHES 

PDR NO.: N/A
 CUSTOMER NAME: N/A
 CUST DWG NO.: N/A
 SIZE A Date 10/9/2006

(5)	SEE B.O.M.	RELEASE LINER .50" WIDE
(4)	SEE B.O.M.	PSA .100" WIDE (UNLESS OTHERWISE SPECIFIED)
(3)	SEE B.O.M.	SCRIM
(2)	SEE B.O.M.	CONDUCTIVE FABRIC
(1)	SEE B.O.M.	URETHANE FOAM

Item No.	RM Number	Material Description
----------	-----------	----------------------

SCALE: 10:1 Approved By: [Signature] Drawn By: EJL Title: 2.7mm x 10mm FLAT D-SHAPE EMI

Cad File No. UC33531B Part No. EK1xxZxxxxx Dwg. No. UC3E3353 Rev. B

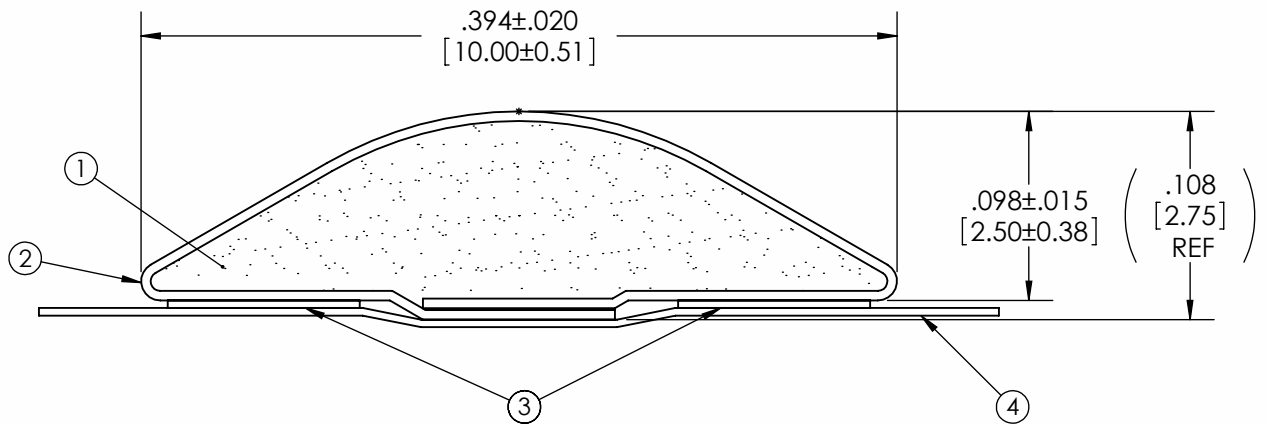
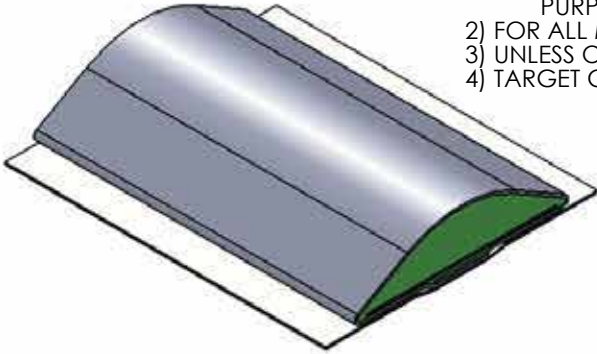
Level		Date	By
(A)	REV PER ECO 0098	3/29/10	BEP
(B)	REV PER ECO 0106	7/22/10	BEP
(C)			
(D)			

ROCHESTER DIVISION PRODUCT PRINT

The information disclosed in this drawing is confidential and the property of Schlegel Electronic Materials, INC. The use, disclosure, or reproduction of this information and related know-how is prohibited without written permission from Schlegel Electronic Materials, INC.

NOTES:

- 1) REFERENCE DIMENSIONS (REF) HAVE NO TOLERANCE AND ARE FOR INFORMATIVE PURPOSES ONLY.
- 2) FOR ALL MISSING DIMENSIONS 3D CAD FILES SHOULD BE USED.
- 3) UNLESS OTHERWISE SPECIFIED INTERPRET TOLERANCES ACCORDING TO ISO 2768C.
- 4) TARGET CLD SPECIFICATION: 2.5lb ± 1lb



TOLERANCES

Profile thickness: ±.015" (0.38mm)
 Profile width: ±.020" (0.51mm)



SCALE 1:1

DIMS: MILLIMETERS <input checked="" type="checkbox"/> INCHES <input checked="" type="checkbox"/>		④ SEE B.O.M.		RELEASE LINER .50" WIDE
PDR NO.: N/A		③ SEE B.O.M.		PSA .100" WIDE (UNLESS OTHERWISE SPECIFIED)
CUSTOMER NAME: N/A		② SEE B.O.M.		CONDUCTIVE FABRIC
CUST DWG NO.: N/A		① SEE B.O.M.		URETHANE FOAM
SIZE A	Date 10/9/2006	Item No.	RM Number	Material Description
SCALE: 10:1		Approved By	Drawn By EJL	Title 2.7mm x 10mm DYNASHEAR EMI
Cad File No. UC33531B	Part No. EK17x2Zxxxx	Dwg. No. UC3E3353	Rev. B	