

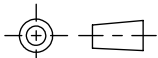
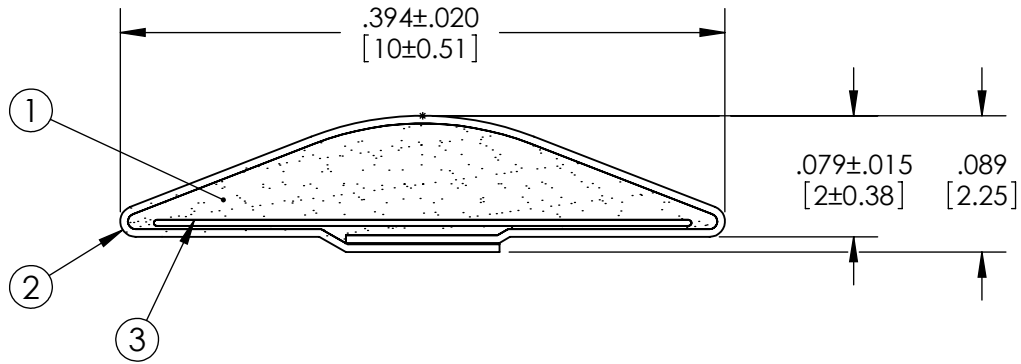
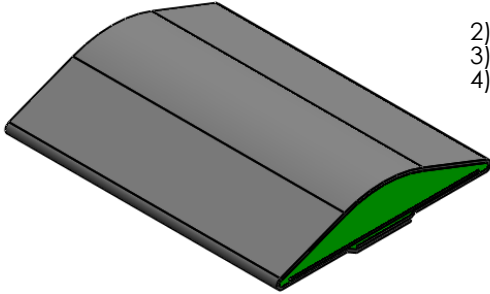
Revisions			
Level		Date	By
Ⓒ	ADDED PART NUMBER	8/14/03	EJL
Ⓓ	REV PER ECO 0098	3/30/10	BEP
Ⓔ			
Ⓕ			

ROCHESTER DIVISION PRODUCT PRINT

The information disclosed in this drawing is confidential and the property of Schlegel Electronic Materials, INC. The use, disclosure, or reproduction of this information and related know-how is prohibited without written permission from Schlegel Electronic Materials, INC.

NOTES:

- 1) REFERENCE DIMENSIONS (REF) HAVE NO TOLERANCE AND ARE FOR INFORMATIVE PURPOSES ONLY.
- 2) FOR ALL MISSING DIMENSIONS 3D CAD FILES SHOULD BE USED.
- 3) UNLESS OTHERWISE SPECIFIED INTERPRET TOLERANCES ACCORDING TO ISO 2768C.
- 4) TARGET CLD SPECIFICATION: 2.5lb ± 1lb



TOLERANCES
 Profile thickness: $\pm .015$ " (0.38mm)
 Profile width: $\pm .020$ " (0.51mm)


 SCALE 1:1

PDR NO.:	④		
QUOTE NO.:	③	SEE B.O.M.	SCRIM
CUSTOMER NAME:	②	SEE B.O.M.	CONDUCTIVE FABRIC
CUST DWG NO.:	①	SEE B.O.M.	URETHANE FOAM
SIZE A	Date	8/6/2003	
SHEET 1 OF 2		Item No.	Material Description
SCALE: 8:1	Approved By	Drawn By EJL	Title 2.3mm x 10mm D-SHAPE EMI
Cad File No. UC32851D	Part No. EJ9xxXxxxxx	Dwg. No. UC3E3285	Rev. D

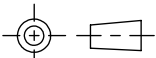
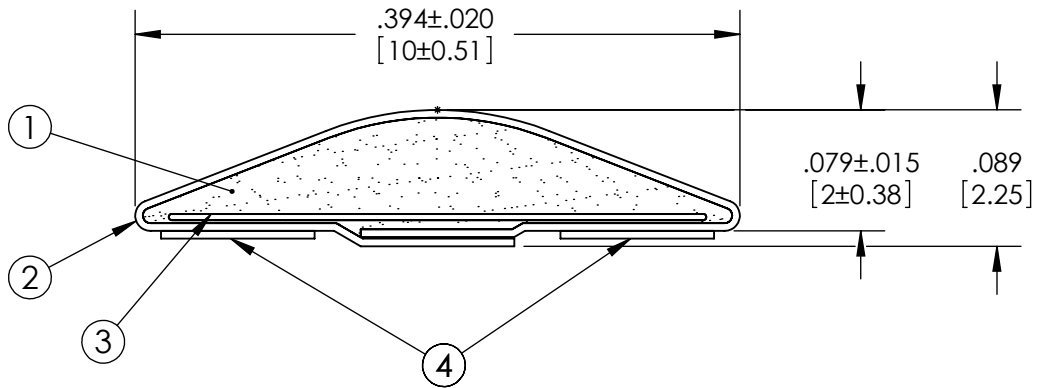
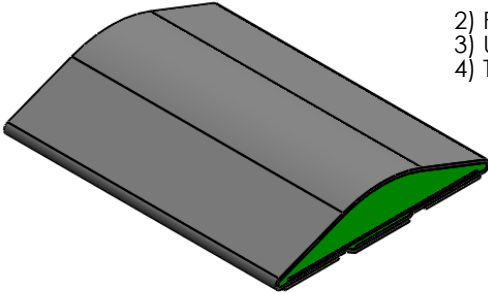
Revisions			
Level		Date	By
Ⓒ	ADDED PART NUMBER	8/14/03	EJL
Ⓓ	REV PER ECO 0098	3/30/10	BEP
Ⓔ			
Ⓕ			

ROCHESTER DIVISION PRODUCT PRINT

The information disclosed in this drawing is confidential and the property of Schlegel Electronic Materials, INC. The use, disclosure, or reproduction of this information and related know-how is prohibited without written permission from Schlegel Electronic Materials, INC.

NOTES:

- 1) REFERENCE DIMENSIONS (REF) HAVE NO TOLERANCE AND ARE FOR INFORMATIVE PURPOSES ONLY.
- 2) FOR ALL MISSING DIMENSIONS 3D CAD FILES SHOULD BE USED.
- 3) UNLESS OTHERWISE SPECIFIED INTERPRET TOLERANCES ACCORDING TO ISO 2768C.
- 4) TARGET CLD SPECIFICATION: 2.5lb ± 1lb



TOLERANCES

Profile thickness: ±.015" (0.38mm)
Profile width: ±.020" (0.51mm)



PDR NO.:	④	SEE B.O.M.	PSA .100" WIDE (UNLESS OTHERWISE SPECIFIED)
QUOTE NO.:	③	SEE B.O.M.	SCRIM
CUSTOMER NAME:	②	SEE B.O.M.	CONDUCTIVE FABRIC
CUST DWG NO.:	①	SEE B.O.M.	URETHANE FOAM
SIZE A	Date	8/6/2003	
SHEET 2 OF 2		Item No.	Material Description
SCALE: 8:1	Approved By	Drawn By EJL	Title 2.3mm x 10mm D-SHAPE EMI
Cad File No. UC32851D	Part No. EJ9xx2Txxxx	Dwg. No. UC3E3285	Rev. D