

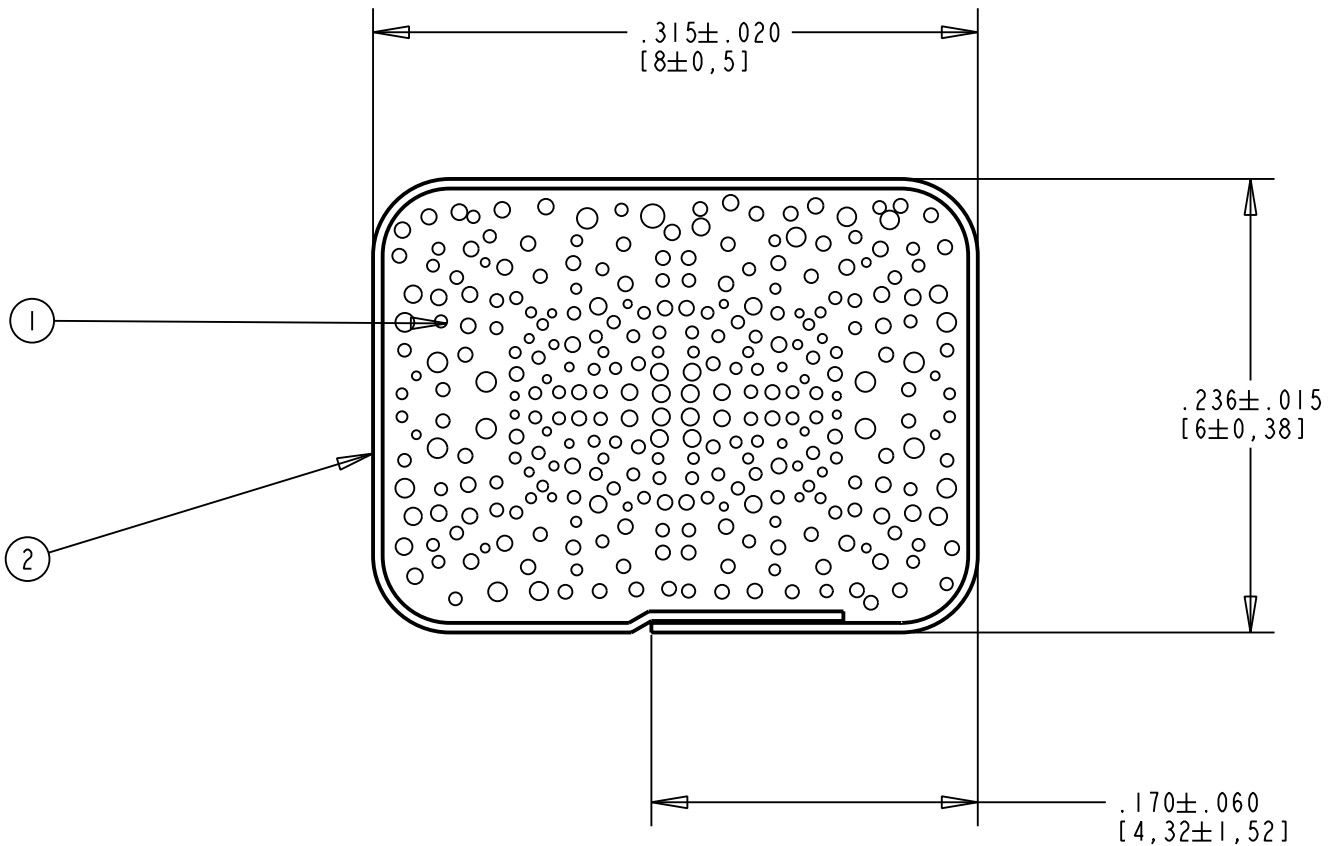
ROCHESTER DIVISION  
PRODUCT PRINT

REVISIONS



The information disclosed on this drawing is confidential and the property of Schlegel Systems Inc. The use, disclosure, or reproduction of this of this information and related knowhow is prohibited without written permission from Schlegel

| LEV | DESCRIPTION          | DATE   | BY |
|-----|----------------------|--------|----|
| A   | ADDED PROFILE NUMBER | 5/7/03 | EL |



SCALE 1.000

IP: 4956

DO NOT SCALE DRAWING

|   |              |              |                                    |
|---|--------------|--------------|------------------------------------|
| DECIMAL DIMENSIONS ±<br>UNLESS OTHERWISE SPECIFIED<br>mm. ☒ In. ☒ | 3            |              |                                    |
|   | 2            | SEE B.O.M.   | CONDUCTIVE FABRIC                  |
|   | 1            | SEE B.O.M.   | URETHANE FOAM                      |
| 4/3/03  |              |              |                                    |
| SHEET 1 OF 3  | ITEM         | R. M. NUMBER | MATERIAL DESCRIPTION               |
| DRAWING SCALE:<br>10.00 : 1                                       | APPROVED:    | CHECKED:     | DRAWN: EJL TITLE:<br>6MM X 8MM EMI |
| CAD FILE<br>NO.:  | PART<br>NO.: | EJ4__X_____  | DRW.<br>NO.:                       |
|   |              |              | UC3E3278                           |

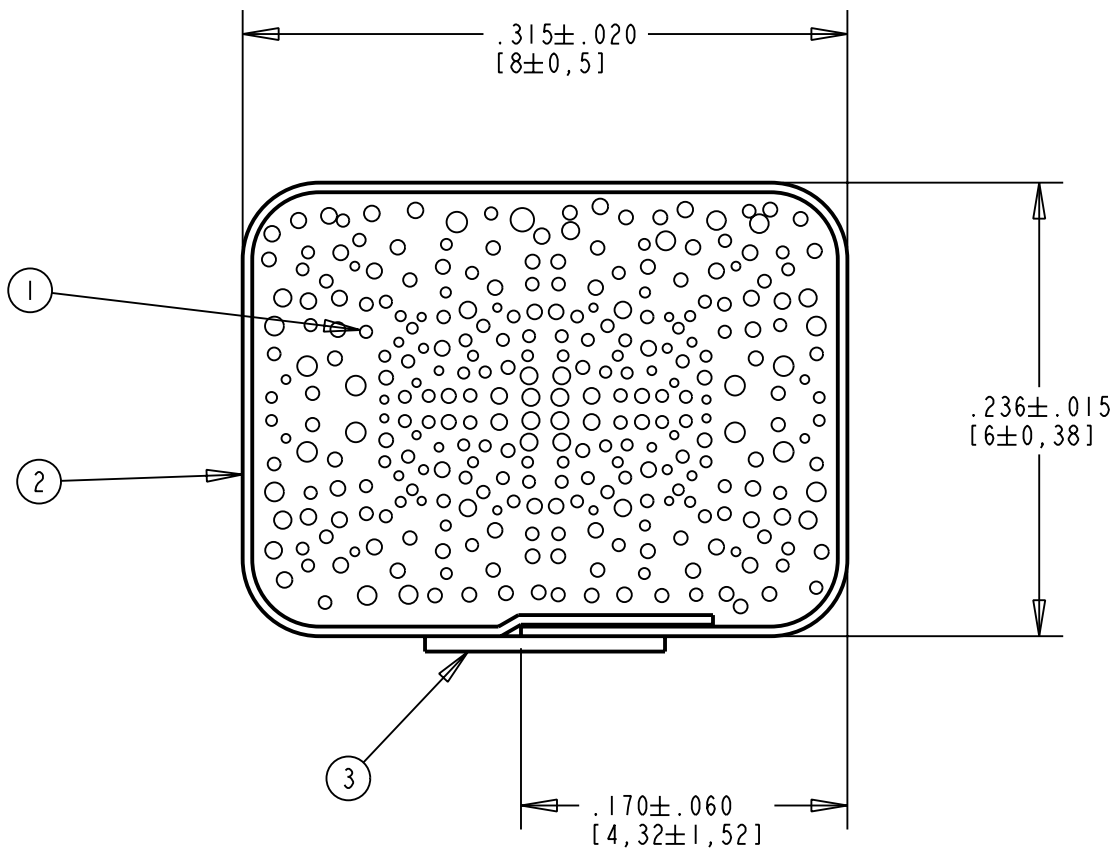
ROCHESTER DIVISION  
PRODUCT PRINT

REVISIONS



The information disclosed on this drawing is confidential and the property of Schlegel Systems Inc. The use, disclosure, or reproduction of this information and related knowhow is prohibited without written permission from Schlegel

| LEV | DESCRIPTION          | DATE   | BY |
|-----|----------------------|--------|----|
| A   | ADDED PROFILE NUMBER | 5/7/03 | EL |



SCALE 1.000

DO NOT SCALE DRAWING

DECIMAL DIMENSIONS ±  
UNLESS OTHERWISE SPECIFIED  
mm.  In.

|                          |           |              |  |
|--------------------------|-----------|--------------|--|
| 06-May-03                | 3         | SEE B.O.M.   | PRESSURE SENSITIVE ADHESIVE .125" WIDE<br>UNLESS OTHERWISE SPECIFIED |
| SHEET 2 OF 3             | 2         | SEE B.O.M.   | CONDUCTIVE FABRIC  |
| DRAWING SCALE: 10.00 : 1 | 1         | SEE B.O.M.   | URETHANE FOAM  |
| APPROVED:                | ITEM      | R. M. NUMBER | MATERIAL DESCRIPTION   |
| CHECKED:                 |           | DRAWN: E J L | TITLE: 6MM X 8MM EMI   |
| CAD FILE NO.:            | PART NO.: | E J 4        | DRW. NO.: UC3E3278   |

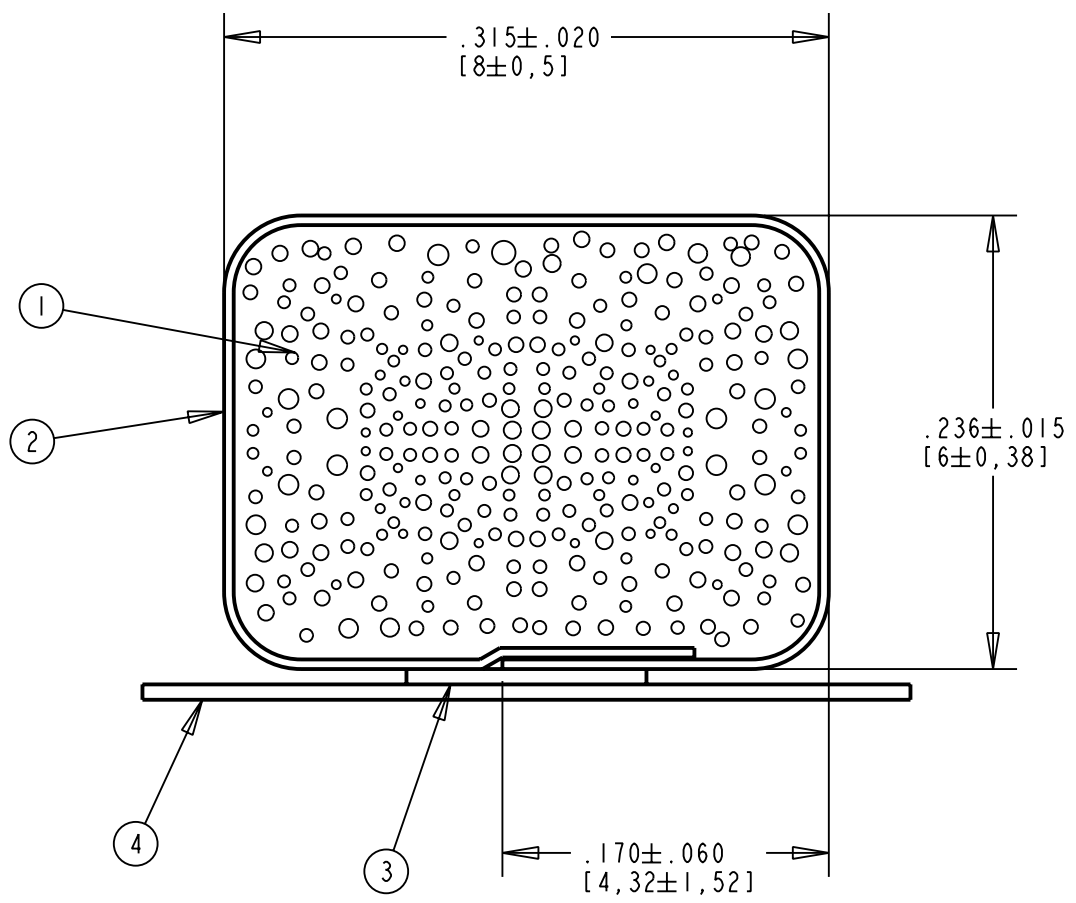
ROCHESTER DIVISION  
PRODUCT PRINT

REVISIONS



The information disclosed on this drawing is confidential and the property of Schlegel Systems Inc. The use, disclosure, or reproduction of this information and related knowhow is prohibited without written permission from Schlegel

| LEV | DESCRIPTION          | DATE   | BY |
|-----|----------------------|--------|----|
| A   | ADDED PROFILE NUMBER | 5/7/03 | EL |



SCALE 1.000

DO NOT SCALE DRAWING

DECIMAL DIMENSIONS ±  
UNLESS OTHERWISE SPECIFIED  
mm.  In.

|                          |                      |              |   |
|--------------------------|----------------------|--------------|---|
| 06-May-03                | 4                    | SEE B.O.M.   | RELEASE LINER .400" WIDE UNLESS OTHERWISE SPECIFIED               |
| SHEET 3 OF 3             | 3                    | SEE B.O.M.   | PRESSURE SENSITIVE ADHESIVE .125" WIDE UNLESS OTHERWISE SPECIFIED |
| DRAWING SCALE: 10.00 : 1 | 2                    | SEE B.O.M.   | CONDUCTIVE FABRIC   |
| APPROVED:                | 1                    | SEE B.O.M.   | URETHANE FOAM   |
| CHECKED:                 | ITEM                 | R. M. NUMBER | MATERIAL DESCRIPTION  |
| DRAWN: EJL               | TITLE: 6MM X 8MM EMI |              |   |
| CAD FILE NO.:            | PART NO.: EJ4        |              | DRW. NO.: UC3E3278  |