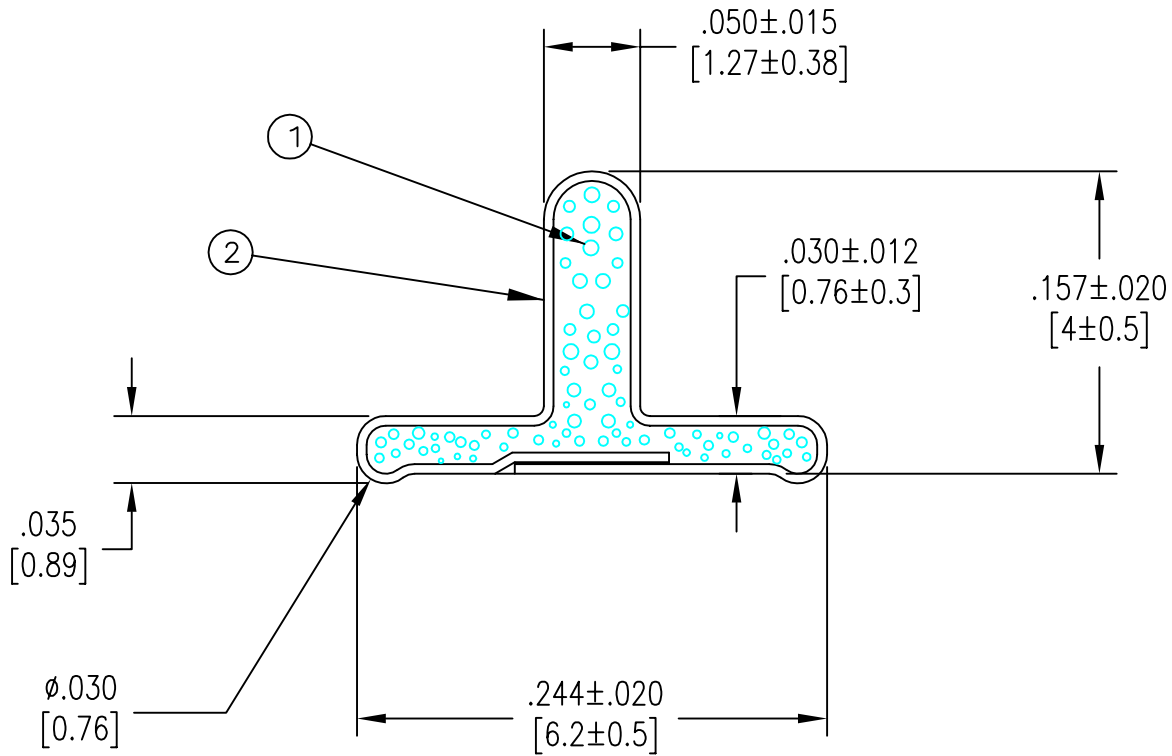




ROCHESTER DIVISION
PRODUCT PRINT

The information disclosed on this drawing is confidential and the property of Schlegel Systems, Inc. The use, disclosure, or reproduction of this information and related knowhow is prohibited without written permission from Schlegel Systems, Inc.

Revisions			
Lev	Description	Date	By
(C)	REV TO ACAD	7/6/04	EJL
(D)			
(E)			



FULL SCALE

PDR 4857

DO NOT SCALE THIS DRAWING
UNLESS PRINTER IS QUALIFIED

DE0021FM.dwg

	(4)		
	(3)		
DECIMAL DIMENSIONS ± _____ UNLESS OTHERWISE SPECIFIED	(2)	SEE B.O.M.	CONDUCTIVE FABRIC
mm. <input checked="" type="checkbox"/> Inch <input checked="" type="checkbox"/>	(1)	SEE B.O.M.	URETHANE FOAM
Date: 1/21/03	Item	R.M. Number	Material Description
Sheet 1 of 2			
Drawn Scale: 10 : 1	Approved:	Drawn: ED LEE	Title: 4MM T-SHAPE EMI WITH OUT INSERT
Cad File No. UC32241C	Part No. EJ2__X_____	Dwg. No. UC3E3224	

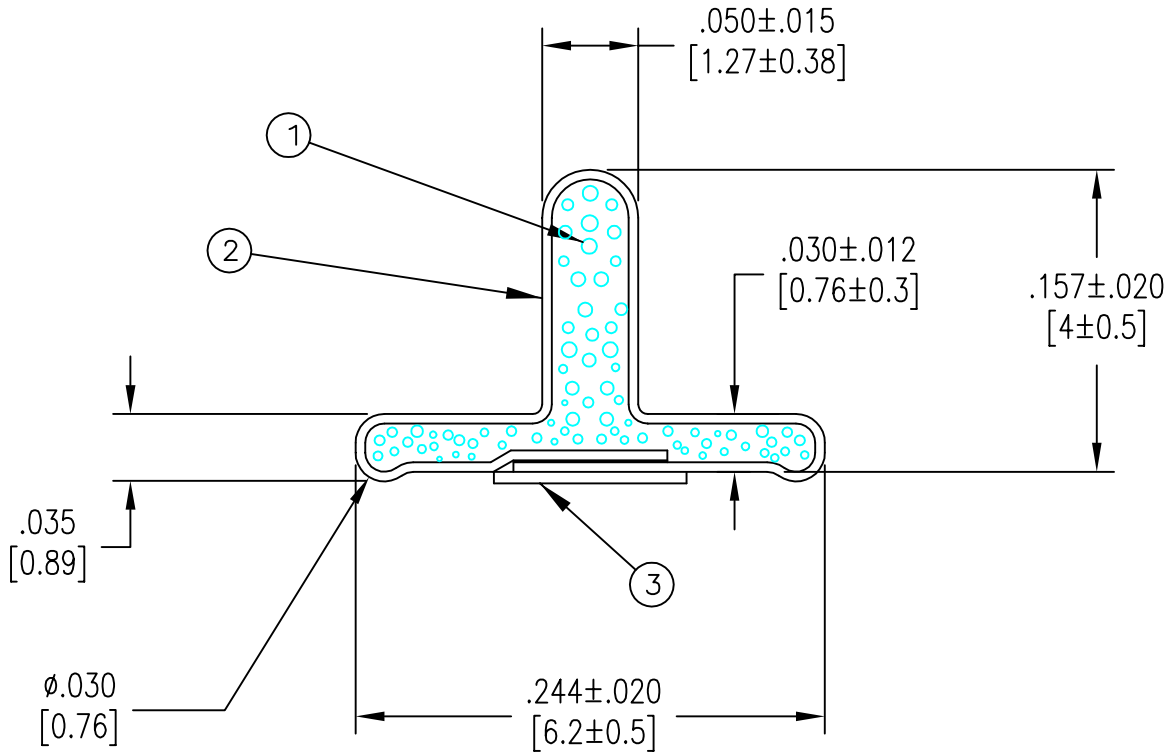


ROCHESTER DIVISION PRODUCT PRINT

The information disclosed on this drawing is confidential and the property of Schlegel Systems, Inc. The use, disclosure, or reproduction of this information and related knowhow is prohibited without written permission from Schlegel Systems, Inc.

Revisions

Lev	Description	Date	By
Ⓒ	REV TO ACAD	7/6/04	EJL
Ⓓ			
Ⓔ			



FULL SCALE

PDR 4857

DO NOT SCALE THIS DRAWING
UNLESS PRINTER IS QUALIFIED

DE0021FM.dwg

		④		
		③	SEE B.O.M.	PRESSURE SENSITIVE ADHESIVE .100" WIDE
		②	SEE B.O.M.	CONDUCTIVE FABRIC
		①	SEE B.O.M.	URETHANE FOAM
DECIMAL DIMENSIONS ± _____ UNLESS OTHERWISE SPECIFIED		Item	R.M. Number	Material Description
mm. <input checked="" type="checkbox"/>	Inch <input checked="" type="checkbox"/>			
Date: 1/21/03		Drawn: ED LEE		Title: 4MM T-SHAPE EMI WITH OUT INSERT
Sheet 2 of 2		Approved:		
Drawn Scale: 10 : 1		Part No. EJ2__T_____		Dwg. No. UC3E3224
Cad File No. UC32242C				