

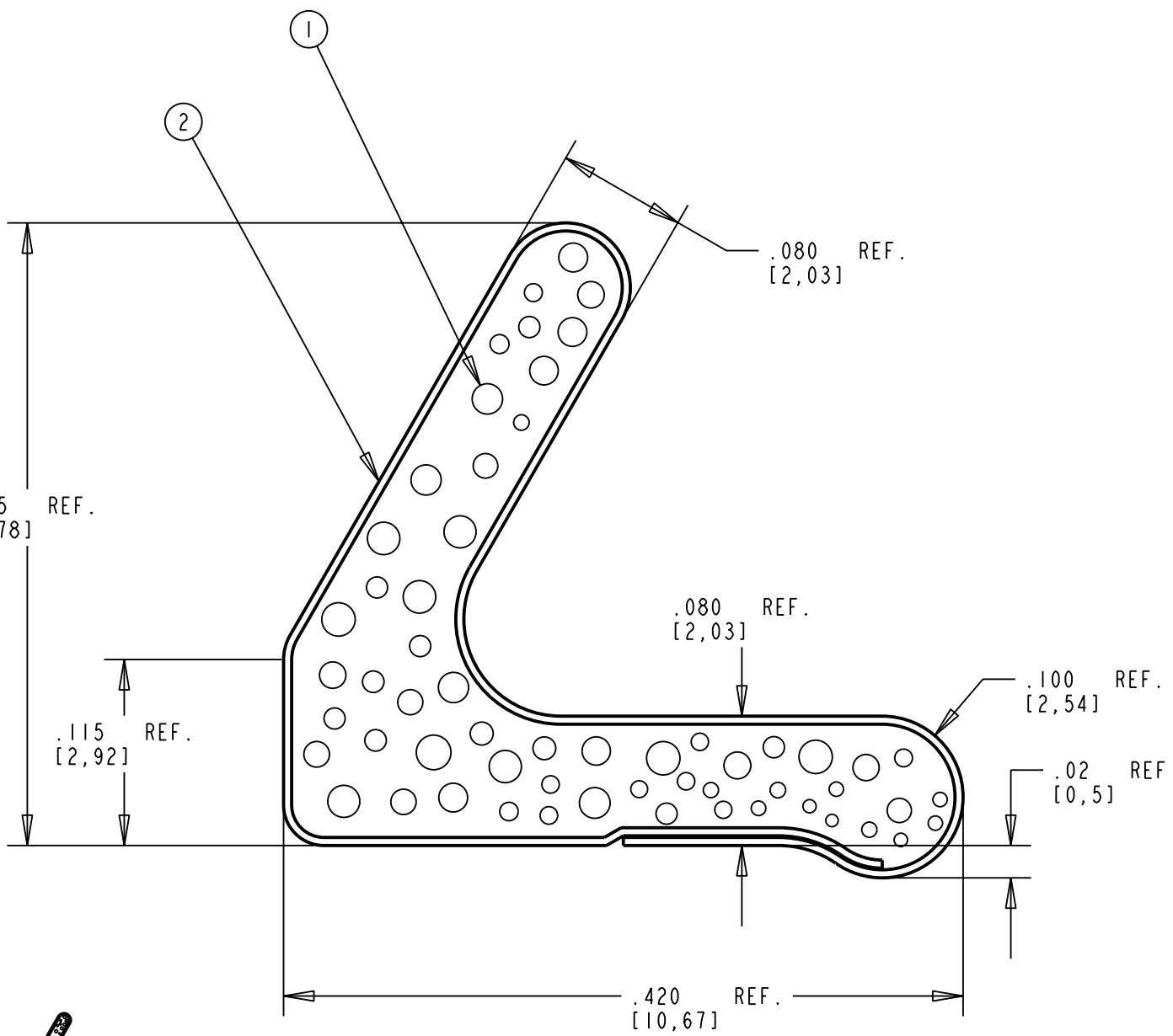
ROCHESTER DIVISION  
PRODUCT PRINT

REVISIONS



"The information disclosed on this drawing is confidential and the property of Schlegel Systems Inc. The use, disclosure, or reproduction of this information and related knowhow is prohibited without written permission from Schlegel."

LEV	DESCRIPTION	DATE	BY
A	ADDED PROFILE NUMBER	2/14/03	EL



SCALE 1.000

TOLERANCES TO BE ESTABLISHED WHEN  
PRODUCTION DATA IS COLLECTED.

IP: 4664

DO NOT SCALE DRAWING

DECIMAL DIMENSIONS ± UNLESS OTHERWISE SPECIFIED mm. <input checked="" type="checkbox"/> In. <input type="checkbox"/>		3		
		2	SEE B.O.M.	CONDUCTIVE FABRIC
02JUL02		1	SEE B.O.M.	URETHANE FOAM
SHEET 1 OF 2		ITEM	R. M. NUMBER	MATERIAL DESCRIPTION
SCALE: 10.00 : 1	APPROVED:	CHECKED:	DRAWN: CMH	TITLE: 385 BULBED C-FOLD EMI
CAD FILE NO.:	PART NO.: EH9__X_____		DRW. NO.: UC3E3092	DE0013FM

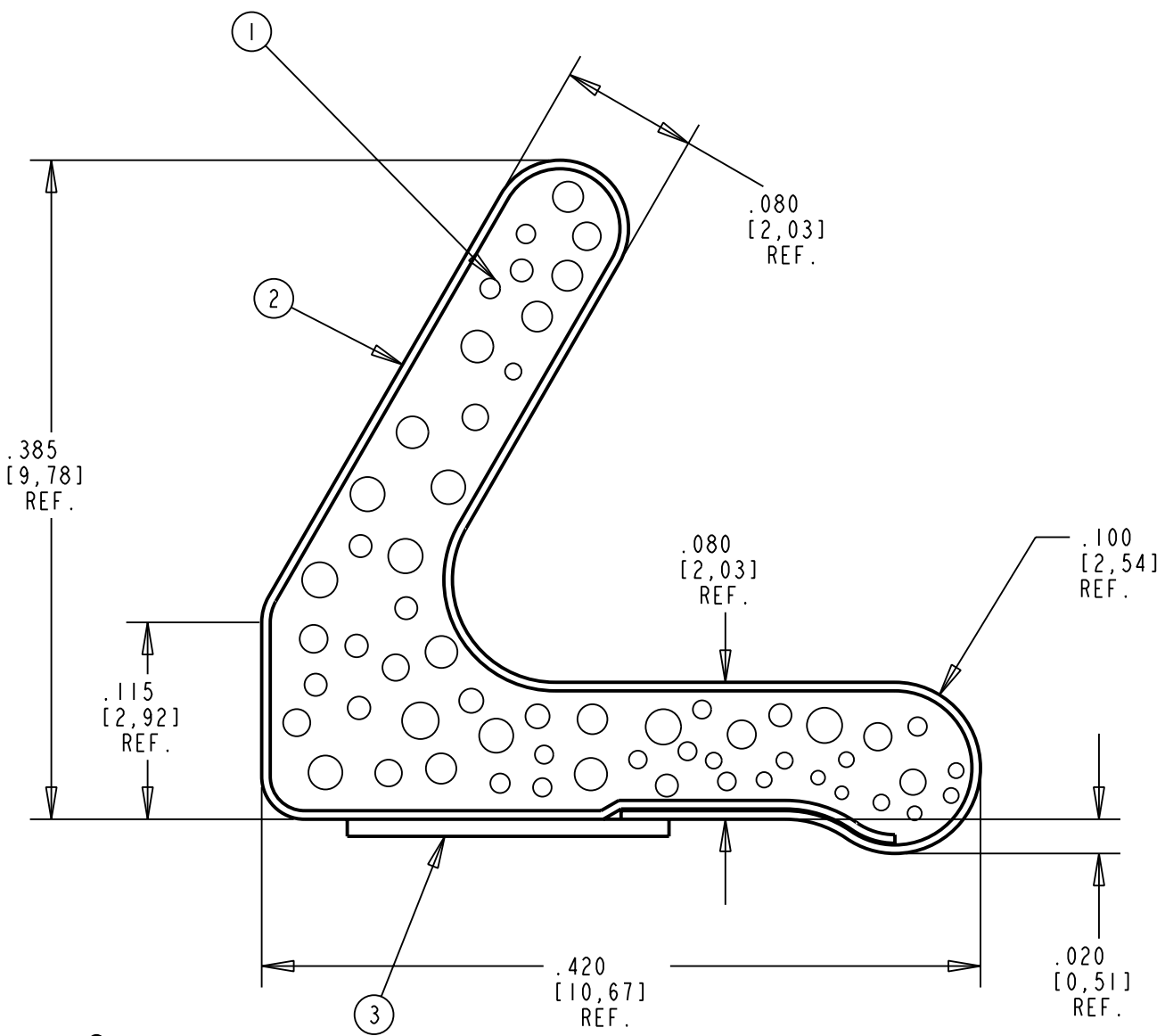
ROCHESTER DIVISION  
PRODUCT PRINT

REVISIONS



The information disclosed on this drawing is confidential and the property of Schlegel Systems Inc. The use, disclosure, or reproduction of this information and related knowhow is prohibited without written permission from Schlegel

LEV	DESCRIPTION	DATE	BY
A	ADDED PROFILE NUMBER	2/14/03	EL



TOLERANCES TO BE ESTABLISHED WHEN PRODUCTION DATA IS COLLECTED.



SCALE 1.000

DO NOT SCALE DRAWING	3	SEE B.O.M.	PRESSURE SENSITIVE ADHESIVE .188" WIDE UNLESS OTHERWISE SPECIFIED	
	2	SEE B.O.M.	CONDUCTIVE FABRIC	
	1	SEE B.O.M.	URETHANE FOAM	
13-Feb-03	ITEM	R. M. NUMBER	MATERIAL DESCRIPTION	
SHEET 2 OF 2				
DRAWING SCALE: 10.00 : 1	APPROVED:	CHECKED:	DRAWN: EJL	TITLE: 385 BULBED C-FOLD EMI
CAD FILE NO.:	PART NO.:	EH9		DRW. NO.: UC3E3092