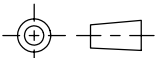
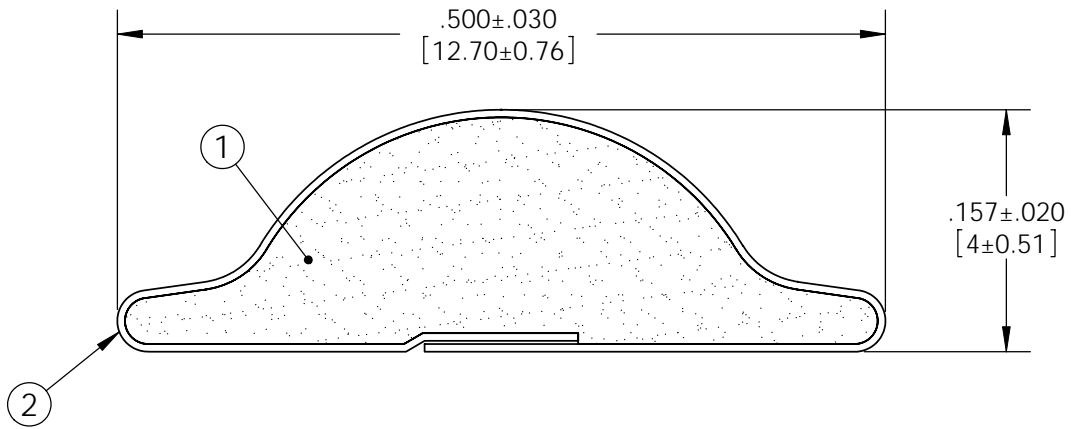
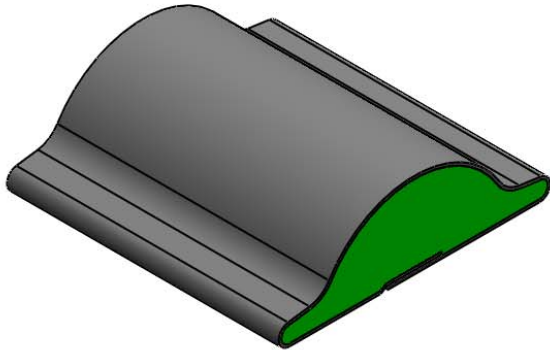


Level		Date	By
(A)	REV PER ECO 2288	3/5/03	EL
(B)	REV TO SOLIDWORKS	8/19/09	BEP
(C)			
(D)			

ROCHESTER DIVISION PRODUCT PRINT

The information disclosed in this drawing is confidential and the property of Schlegel Electronic Materials, INC. The use, disclosure, or reproduction of this information and related know-how is prohibited without written permission from Schlegel Electronic Materials, INC.



TOLERANCES

Profile thickness: $\pm .020$ " (0.51mm)
 Profile width: $\pm .030$ " (0.76mm)



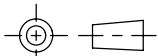
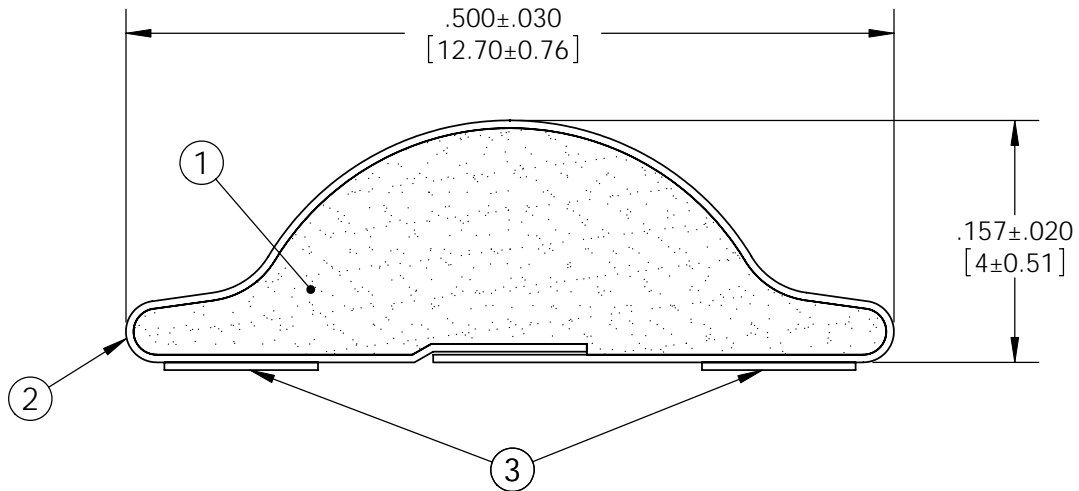
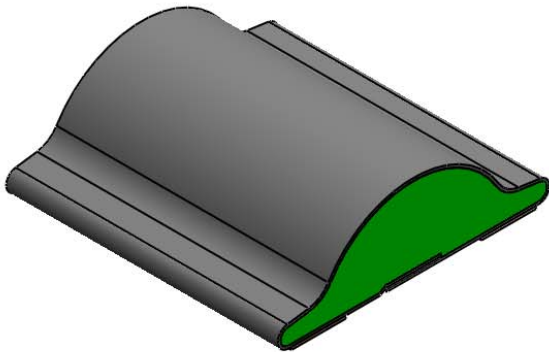
SCALE 1:1

PDR NO.:	(4)		
QUOTE NO.:	(3)		
CUSTOMER NAME:	(2)	SEE B.O.M.	CONDUCTIVE FABRIC
CUST DWG NO.:	(1)	SEE B.O.M.	URETHANE FOAM
SIZE A	Date	10/2/2002	
SHEET 1 OF 2		Item No.	Material Description
SCALE: 8:1	Approved By	Drawn By: EJL	Title: 4mm x 12.7mm D-SHAPE EMI
Cad File No. UP31361B	Part No. EH7xxXXXXXX	Dwg. No. UP3E3136	Rev. B

Level		Date	By
(A)	REV PER ECO 2288	3/5/03	EL
(B)	REV TO SOLIDWORKS	8/19/09	BEP
(C)			
(D)			

ROCHESTER DIVISION PRODUCT PRINT

The information disclosed in this drawing is confidential and the property of Schlegel Electronic Materials, INC. The use, disclosure, or reproduction of this information and related know-how is prohibited without written permission from Schlegel Electronic Materials, INC.



TOLERANCES

Profile thickness: $\pm .020$ " (0.51mm)
 Profile width: $\pm .030$ " (0.76mm)



SCALE 1:1

PDR NO.:	(4)		
QUOTE NO.:	(3)	SEE B.O.M.	PSA .100" WIDE (UNLESS OTHERWISE SPECIFIED)
CUSTOMER NAME:	(2)	SEE B.O.M.	CONDUCTIVE FABRIC
CUST DWG NO.:	(1)	SEE B.O.M.	URETHANE FOAM
DATE	10/2/2002		
SIZE A	SHEET 2 OF 2	Item No.	Material Description
SCALE: 8:1	Approved By	Drawn By: EJL	Title: 4mm x 12.7mm D-SHAPE EMI
Cad File No. UP31361B	Part No. EH7xx2Txxxx	Dwg. No. UP3E3136	Rev. B