

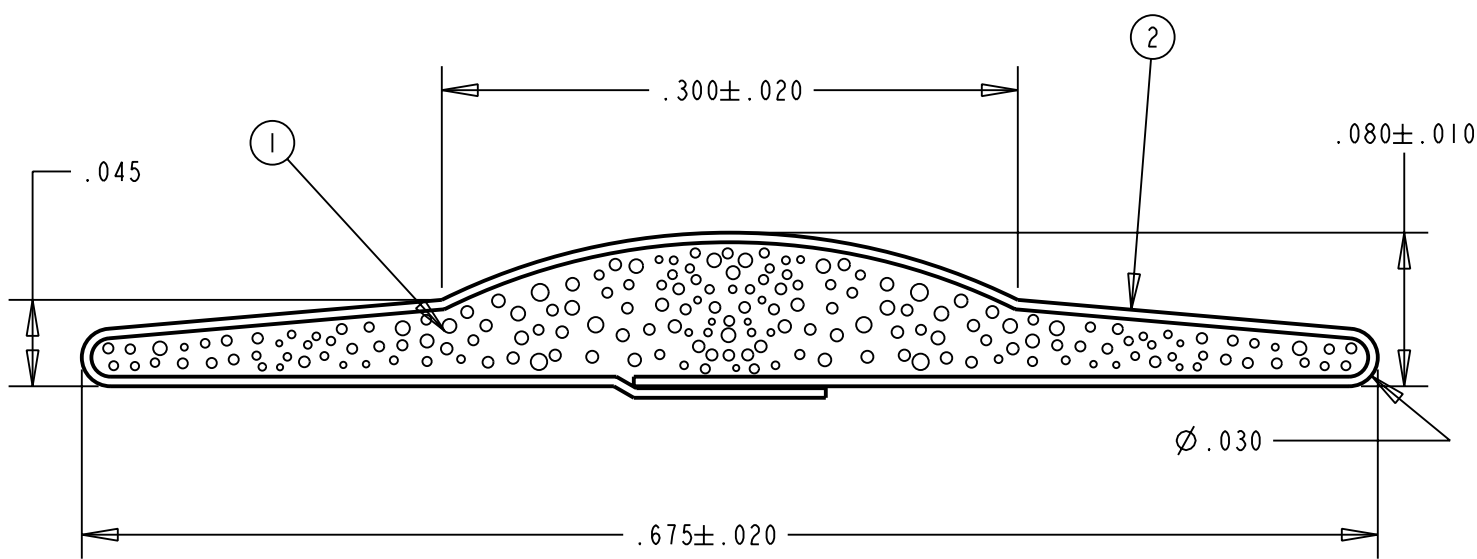
ROCHESTER DIVISION
PRODUCT PRINT

REVISIONS



The information disclosed on this drawing is confidential and the property of Schlegel Systems Inc. The use, disclosure, or reproduction of this information and related knowhow is prohibited without written permission from Schlegel

LEV	DESCRIPTION	DATE	BY



DO NOT SCALE DRAWING

DECIMAL DIMENSIONS ± UNLESS OTHERWISE SPECIFIED mm. <input type="checkbox"/> In. <input type="checkbox"/>		3		
10-Mar-02		2	SEE B.O.M.	CONDUCTIVE FABRIC
SHEET 1 OF 2		1	SEE B.O.M.	URETHANE FOAM
DRAWING SCALE: 10.00 : 1	APPROVED:	CHECKED:	DRAWN:	TITLE: 675 X .080 EMI SEAL
CAD FILE NO.:	PART NO.:		EH2 _____	
		DRW. NO.:		UC3E2998

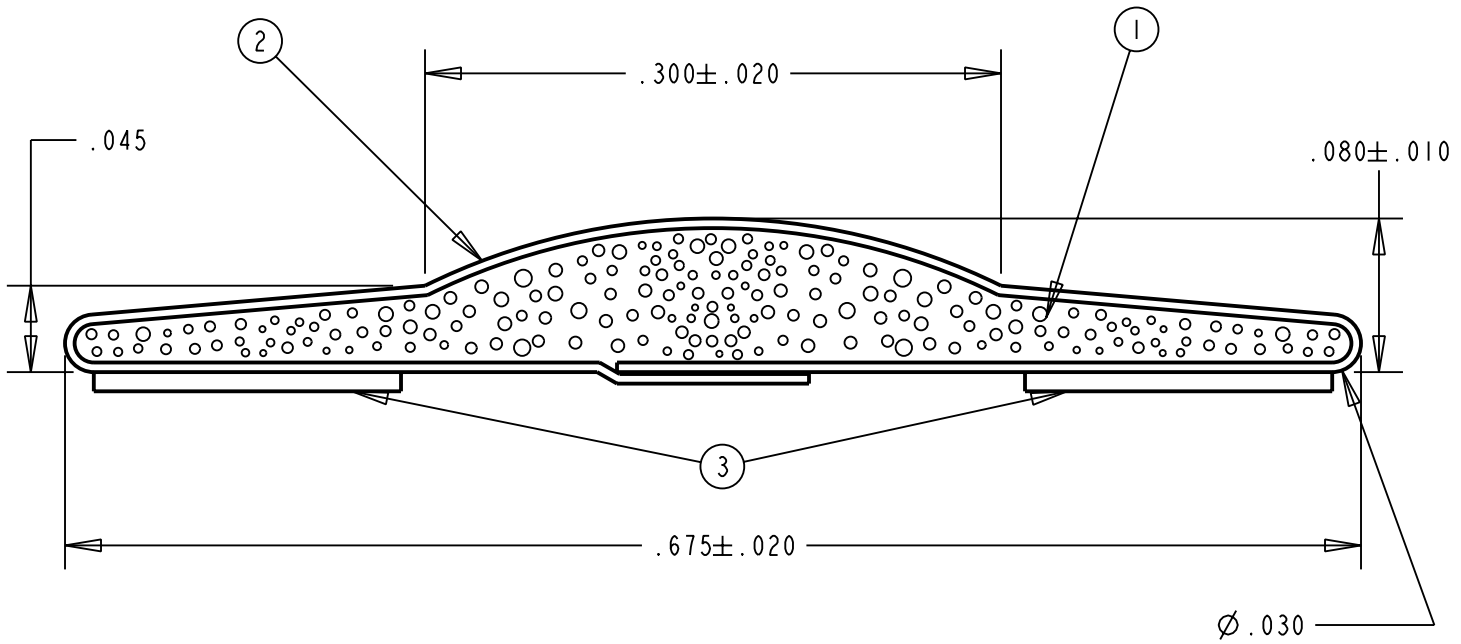
ROCHESTER DIVISION
PRODUCT PRINT

REVISIONS



The information disclosed on this drawing is confidential and the property of Schlegel Systems Inc. The use, disclosure, or reproduction of this information and related knowhow is prohibited without written permission from Schlegel

LEV	DESCRIPTION	DATE	BY



DO NOT SCALE DRAWING

DECIMAL DIMENSIONS ± UNLESS OTHERWISE SPECIFIED mm. <input type="checkbox"/> In. <input type="checkbox"/>	3	R2883-016-7	HIGH SHEAR PRESSURE SENSITIVE ADHESIVE .160" WIDE
21-May-99	2	SEE B.O.M.	CONDUCTIVE FABRIC
SHEET 2 OF 2	1	SEE B.O.M.	URETHANE FOAM
DRAWING SCALE: 10.00 : 1	APPROVED:	CHECKED:	DRAWN: EJL
CAD FILE NO.:	PART NO.:	TITLE: 675 X .080 EMI SEAL	
	EH2	DRW. NO.:	UC3E2998