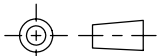
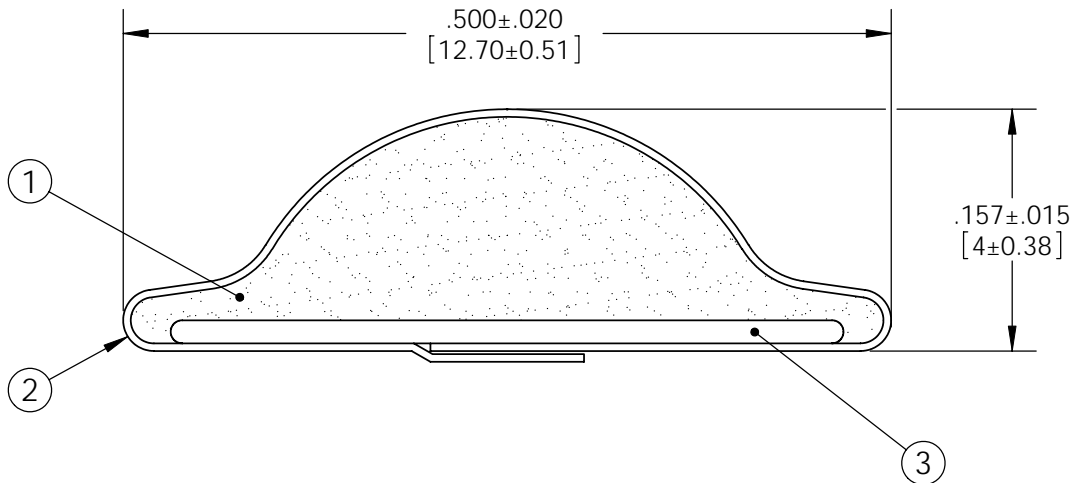
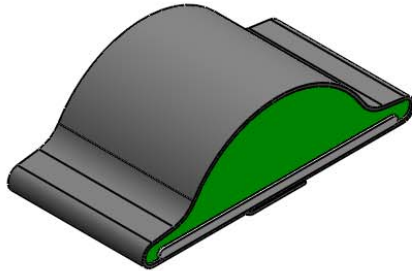


Level		Date	By
(A)	REV PER ECO 2288	7/23/03	EL
(B)	REV TO SOLIDWORKS	10/21/09	BEP
(C)			
(D)			

ROCHESTER DIVISION PRODUCT PRINT

The information disclosed in this drawing is confidential and the property of Schlegel Electronic Materials, INC. The use, disclosure, or reproduction of this information and related know-how is prohibited without written permission from Schlegel Electronic Materials, INC.



TOLERANCES

Profile thickness: ± 0.015 " (0.38mm)
 Profile width: ± 0.020 " (0.51mm)



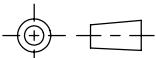
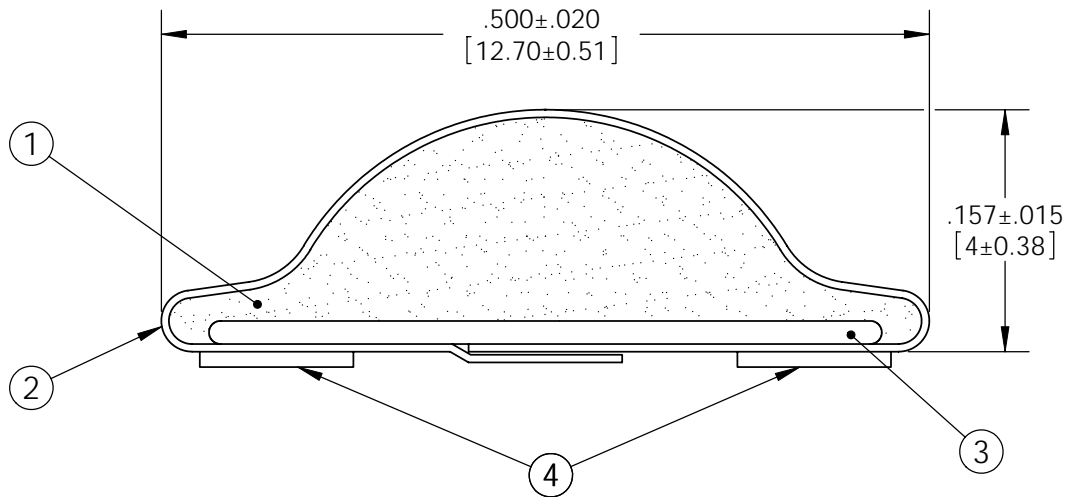
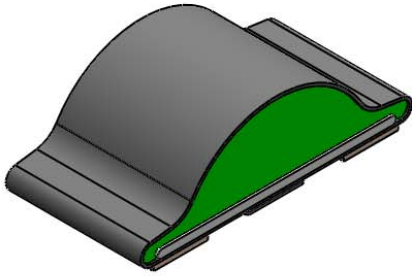
SCALE 1:1

PDR NO.:	(4)		
QUOTE NO.:	(3)	SEE B.O.M.	INSERT
CUSTOMER NAME:	(2)	SEE B.O.M.	CONDUCTIVE FABRIC
CUST DWG NO.:	(1)	SEE B.O.M.	URETHANE FOAM
SIZE A	Date	8/15/2002	
SHEET 1 OF 2		Item No.	Material Description
SCALE: 8:1	Approved By	Drawn By: EJL	Title: 4mm x 12.7mm D-SHAPE EMI
Cad File No. UP29661B	Part No. EH1xxXXXXX	Dwg. No. UP3E2966	Rev. B

Revisions			
Level		Date	By
(A)	REV PER ECO 2288	7/23/03	EL
(B)	REV TO SOLIDWORKS	10/21/09	BEP
(C)			
(D)			

ROCHESTER DIVISION PRODUCT PRINT

The information disclosed in this drawing is confidential and the property of Schlegel Electronic Materials, INC. The use, disclosure, or reproduction of this information and related know-how is prohibited without written permission from Schlegel Electronic Materials, INC.



TOLERANCES

Profile thickness: ± 0.015 " (0.38mm)
 Profile width: ± 0.020 " (0.51mm)



SCALE 1:1

PDR NO.:	(4)	SEE B.O.M.	PSA .100" WIDE (UNLESS OTHERWISE SPECIFIED)
QUOTE NO.:	(3)	SEE B.O.M.	INSERT
CUSTOMER NAME:	(2)	SEE B.O.M.	CONDUCTIVE FABRIC
CUST DWG NO.:	(1)	SEE B.O.M.	URETHANE FOAM
SIZE A	Date 8/15/2002	Item No.	RM Number
SHEET 2 OF 2		Material Description	
SCALE: 8:1	Approved By	Drawn By EJL	Title 4mm x 12.7mm D-SHAPE EMI
Cad File No. UP29661B	Part No. EH1xx2Txxxx	Dwg. No. UP3E2966	Rev. B