

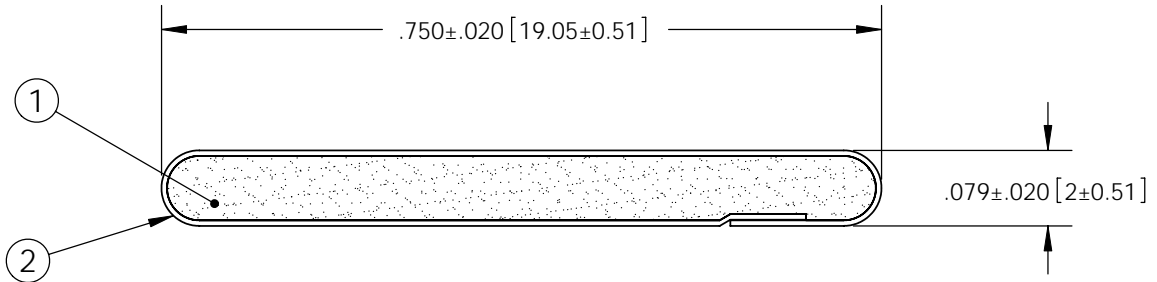
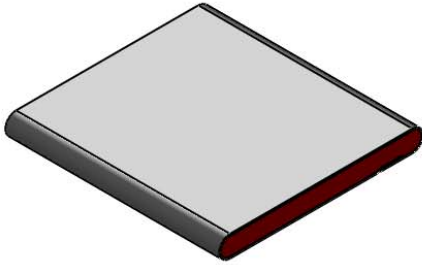


Revisions

Level		Date	By
○			
Ⓐ	PROFILE WAS 1.5mm THICK	12/17/01	EL
Ⓑ	ADDED PROFILE NUMBER	1/32/02	EL
Ⓒ	UPDATE SHEET FORMAT	3/30/09	BEP

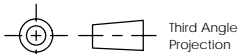
ROCHESTER DIVISION PRODUCT PRINT

The information disclosed in this drawing is confidential and the property of Schlegel Electronic Materials, INC. The use, disclosure, or reproduction of this information and related know-how is prohibited without written permission from Schlegel Electronic Materials, INC.



CURRENT CONFIGURATIONS	
PROFILE	DESCRIPTION
EG713	HR FOAM, NiCu C70 FABRIC
EG719	HR FOAM, Ag C2 FABRIC
EG753	BR FR FOAM, NiCu C70 FABRIC
EG754	BR FR FOAM, NiCu C12 FABRIC

NOTE: Other configurations may be available at special minimum order quantities.



TOLERANCES
 Profile thickness: $\pm .020$ " (0.51mm)
 Profile width: $\pm .020$ " (0.51mm)

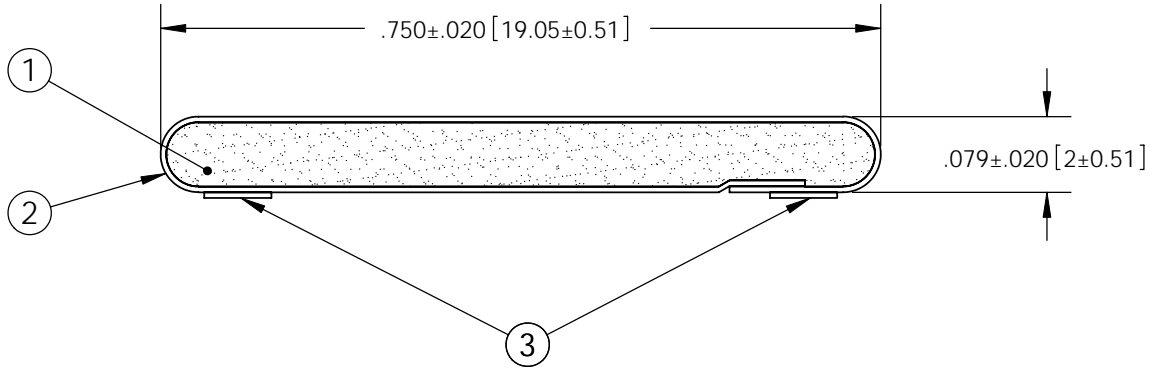
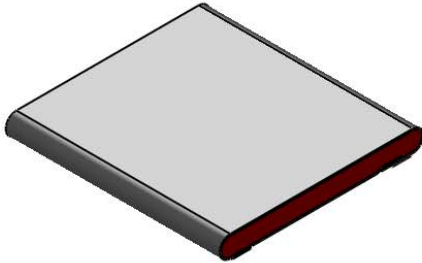
SCALE 1:1

PDR NO.:	④		
QUOTE NO.:	③		
CUSTOMER NAME:	②	SEE B.O.M.	CONDUCTIVE FABRIC
CUST DWG NO.:	①	SEE B.O.M.	URETHANE FOAM
SIZE A	Date	9/27/2001	
SHEET 1 OF 2		Item No.	RM Number
SCALE: 5:1	Approved By	Drawn By	EJL
		Title	2mm x 19mm EMI
Cad File No.	UC28241C	Part No.	EG7xxXxxxxx
		Dwg. No.	UC3E2824
			Rev. C

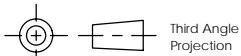
Level		Date	By
○			
Ⓐ	PROFILE WAS 1.5mm THICK	12/17/01	EL
Ⓑ	ADDED PROFILE NUMBER	1/32/02	EL
Ⓒ	UPDATE SHEET FORMAT	3/30/09	BEP

ROCHESTER DIVISION PRODUCT PRINT

The information disclosed in this drawing is confidential and the property of Schlegel Electronic Materials, INC. The use, disclosure, or reproduction of this information and related know-how is prohibited without written permission from Schlegel Electronic Materials, INC.



CURRENT CONFIGURATIONS	
PROFILE	DESCRIPTION
EG713	HR FOAM, NiCu C70 FABRIC
EG719	HR FOAM, Ag C2 FABRIC
EG753	BR FR FOAM, NiCu C70 FABRIC
EG754	BR FR FOAM, NiCu C12 FABRIC
NOTE: Other configurations may be available at special minimum order quantities.	



TOLERANCES
 Profile thickness: $\pm .020$ " (0.51mm)
 Profile width: $\pm .020$ " (0.51mm)

SCALE 1:1

PDR NO.:	④		
QUOTE NO.:	③	SEE B.O.M.	PSA .070" WIDE (UNLESS OTHERWISE SPECIFIED)
CUSTOMER NAME:	②	SEE B.O.M.	CONDUCTIVE FABRIC
CUST DWG NO.:	①	SEE B.O.M.	URETHANE FOAM
SIZE A	Date 9/27/2001	Item No.	RM Number
SHEET 2 OF 2		Material Description	
SCALE: 5:1	Approved By	Drawn By EJL	Title 2mm x 19mm EMI
Cad File No. UC28241C	Part No. EG7xxTxxxxx	Dwg. No. UC3E2824	Rev. C