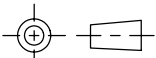
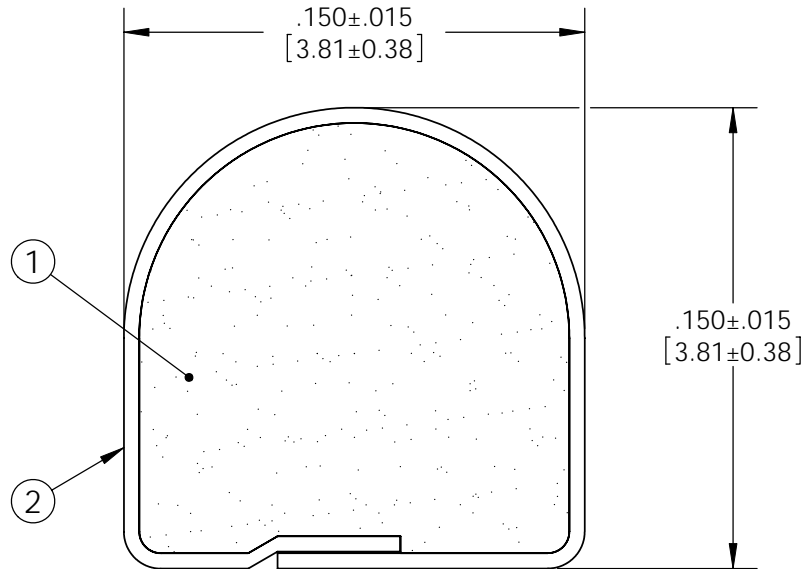
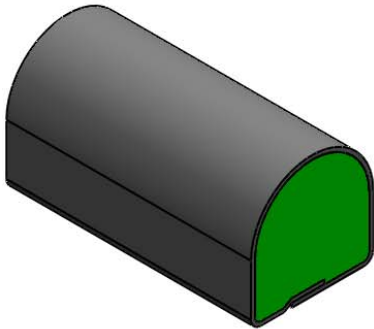


Revisions			
Level		Date	By
(A)	ADDED PART NUMBER	9/14/01	EL
(B)	REV TO SOLIDWORKS	8/20/09	BEP
(C)			
(D)			

ROCHESTER DIVISION PRODUCT PRINT

The information disclosed in this drawing is confidential and the property of Schlegel Electronic Materials, INC. The use, disclosure, or reproduction of this information and related know-how is prohibited without written permission from Schlegel Electronic Materials, INC.



TOLERANCES

Profile thickness: ± 0.015 " (0.38mm)
 Profile width: ± 0.015 " (0.38mm)



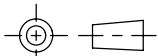
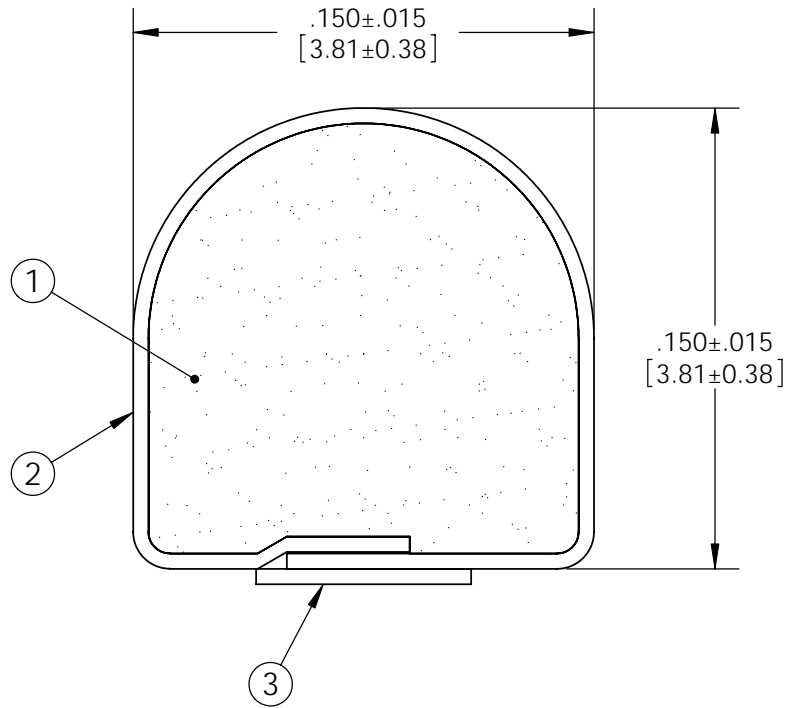
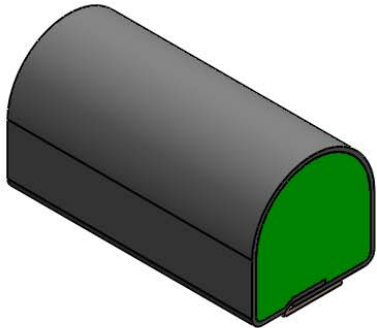
SCALE 1:1

PDR NO.:	(4)		
QUOTE NO.:	(3)		
CUSTOMER NAME:	(2)	SEE B.O.M.	CONDUCTIVE FABRIC
CUST DWG NO.:	(1)	SEE B.O.M.	URETHANE FOAM
DATE: 2/4/2001			
SIZE A			
SHEET 1 OF 3		Item No.	Material Description
SCALE: 10:1	Approved By	Drawn By: EJJ	Title: 3.8mm x 3.8mm D-SHAPE EMI
Cad File No. UC25851B	Part No. EG4xxXxxxx	Dwg. No. UC3E2585	Rev. B

Level		Date	By
(A)	ADDED PART NUMBER	9/14/01	EL
(B)	REV TO SOLIDWORKS	8/20/09	BEP
(C)			
(D)			

ROCHESTER DIVISION PRODUCT PRINT

The information disclosed in this drawing is confidential and the property of Schlegel Electronic Materials, INC. The use, disclosure, or reproduction of this information and related know-how is prohibited without written permission from Schlegel Electronic Materials, INC.



TOLERANCES

Profile thickness: ± 0.015 " (0.38mm)
 Profile width: ± 0.015 " (0.38mm)



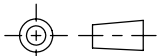
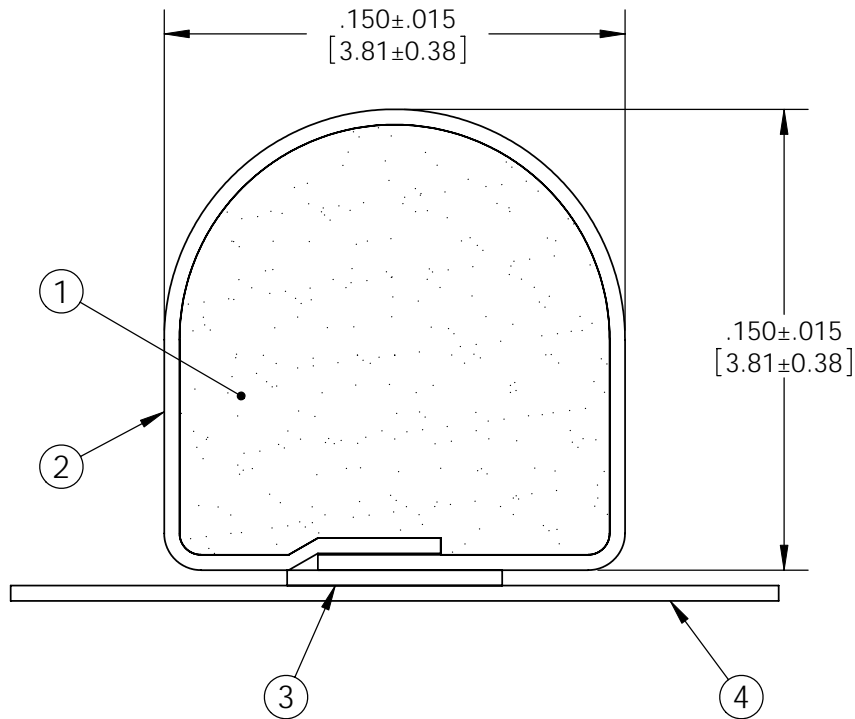
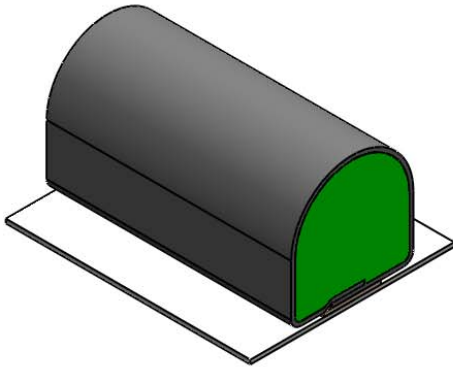
SCALE 1:1

PDR NO.:	(4)		
QUOTE NO.:	(3)	SEE B.O.M.	PSA .070" WIDE (UNLESS OTHERWISE SPECIFIED)
CUSTOMER NAME:	(2)	SEE B.O.M.	CONDUCTIVE FABRIC
CUST DWG NO.:	(1)	SEE B.O.M.	URETHANE FOAM
SIZE A	Date	2/4/2001	
SHEET 2 OF 3		Item No.	Material Description
SCALE: 10:1	Approved By	Drawn By EJL	Title 3.8mm x 3.8mm D-SHAPE EMI
Cad File No. UC25851B	Part No. EG4xxTxxxxx	Dwg. No. UC3E2585	Rev. B

Level		Date	By
(A)	ADDED PART NUMBER	9/14/01	EL
(B)	REV TO SOLIDWORKS	8/20/09	BEP
(C)			
(D)			

ROCHESTER DIVISION PRODUCT PRINT

The information disclosed in this drawing is confidential and the property of Schlegel Electronic Materials, INC. The use, disclosure, or reproduction of this information and related know-how is prohibited without written permission from Schlegel Electronic Materials, INC.



TOLERANCES
 Profile thickness: ±.015" (0.38mm)
 Profile width: ±.015" (0.38mm)



SCALE 1:1

PDR NO.:	(4)	SEE B.O.M.	RELEASE LINER .250" WIDE (UNLESS OTHERWISE SPECIFIED)
QUOTE NO.:	(3)	SEE B.O.M.	PSA .070" WIDE (UNLESS OTHERWISE SPECIFIED)
CUSTOMER NAME:	(2)	SEE B.O.M.	CONDUCTIVE FABRIC
CUST DWG NO.:	(1)	SEE B.O.M.	URETHANE FOAM
DATE	2/4/2001		
SIZE	SHEET 3 OF 3		
Item No.	RM Number	Material Description	
SCALE: 10:1	Approved By	Drawn By: EJL	Title: 3.8mm x 3.8mm D-SHAPE EMI
Cad File No. UC25851B	Part No. EG4xxZxxxxx	Dwg. No. UC3E2585	Rev. B