

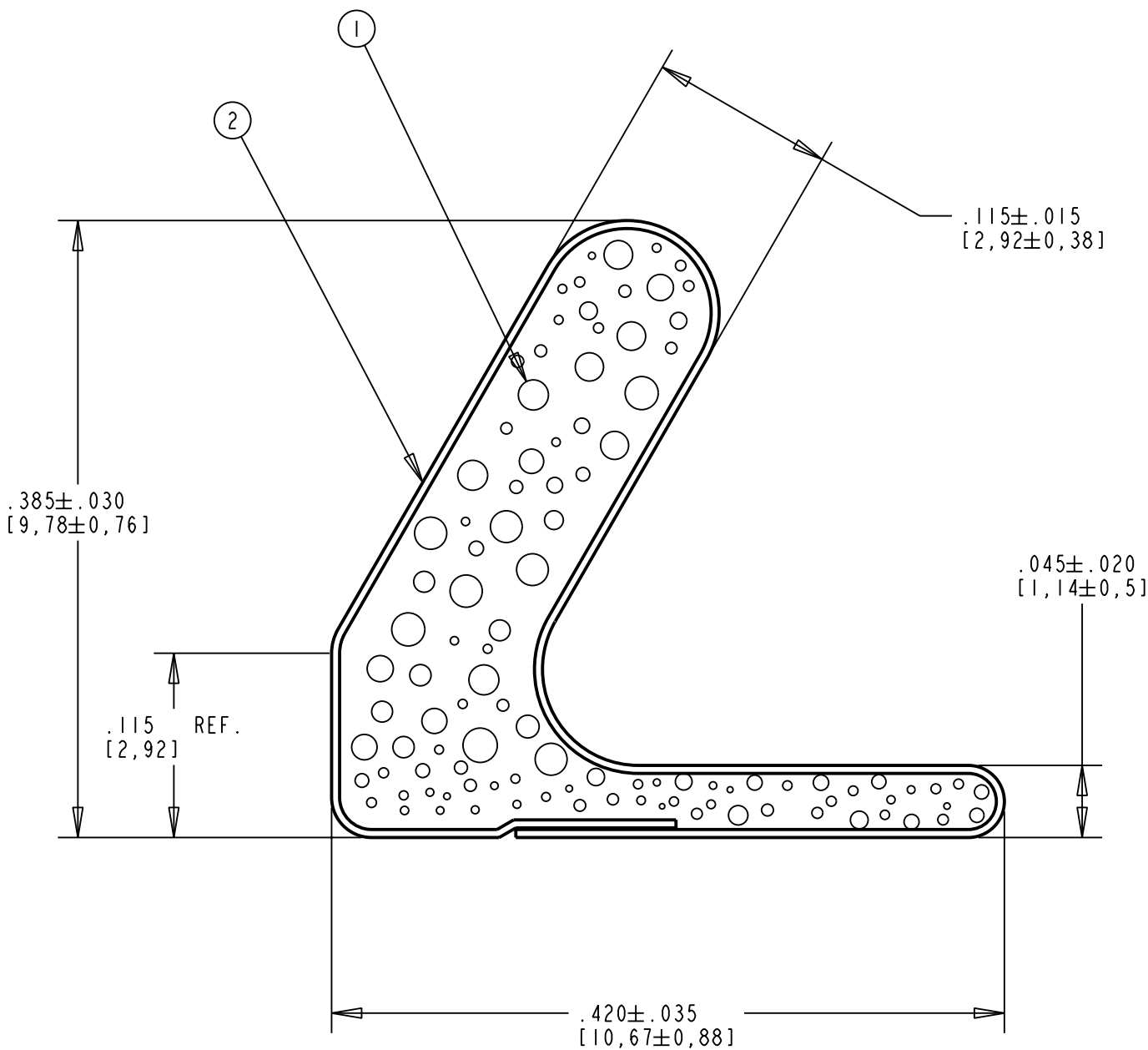
ROCHESTER DIVISION  
PRODUCT PRINT

REVISIONS

LEV	DESCRIPTION	DATE	BY



"The information disclosed on this drawing is confidential and the property of Schlegel Systems Inc. The use, disclosure, or reproduction of this information and related knowhow is prohibited without written permission from Schlegel."



DO NOT SCALE DRAWING

DECIMAL DIMENSIONS ± UNLESS OTHERWISE SPECIFIED mm. <input checked="" type="checkbox"/> In. <input type="checkbox"/>		3		
9/14/01		2	SEE B.O.M.	CONDUCTIVE FABRIC
SHEET 1 OF 2		1	SEE B.O.M.	URETHANE FOAM
SCALE: 10.00 : 1	APPROVED:	CHECKED:	DRAWN: E.JL	TITLE: 385 C-FOLD EMI WITH OUT INSERT
CAD FILE NO.:		PART NO.: EG3__X_____	DRW. NO.: UC3E2808	DE0013FM

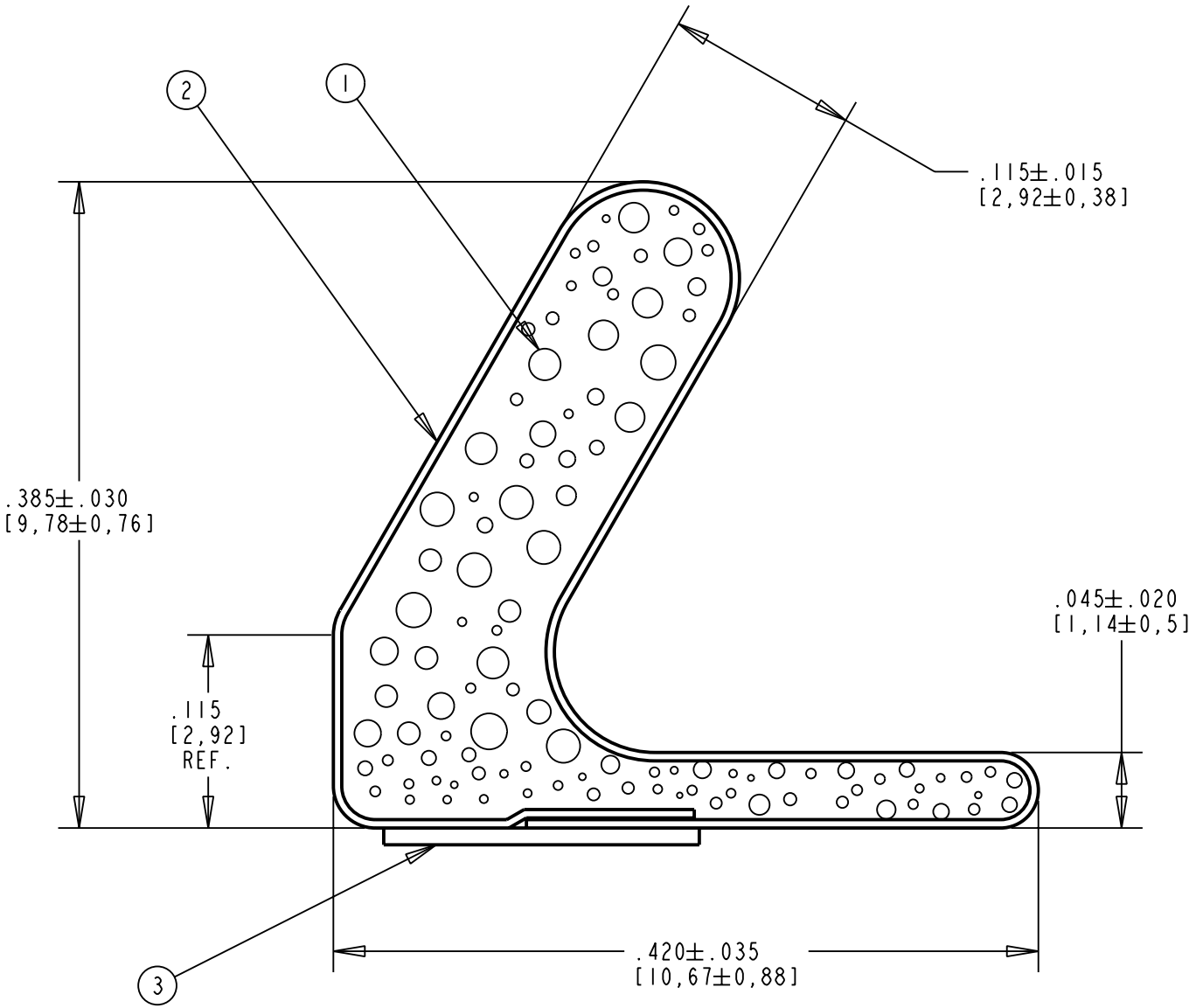
ROCHESTER DIVISION  
PRODUCT PRINT

REVISIONS



"The information disclosed on this drawing is confidential and the property of Schlegel Systems Inc. The use, disclosure, or reproduction of this information and related knowhow is prohibited without written permission from Schlegel."

LEV	DESCRIPTION	DATE	BY



DO NOT SCALE DRAWING

DECIMAL DIMENSIONS ± UNLESS OTHERWISE SPECIFIED mm. <input type="checkbox"/> In. <input type="checkbox"/>	3	R2855-018-6	PRESSURE SENSITIVE ADHESIVE .188" WIDE
	2	SEE B.O.M.	CONDUCTIVE FABRIC
9/14/01	1	SEE B.O.M.	URETHANE FOAM
SHEET 2 OF 2	ITEM	R. M. NUMBER	MATERIAL DESCRIPTION
SCALE: 10.00 : 1	APPROVED:	CHECKED:	DRAWN: EJL
			TITLE: 385 C-FOLD EMI WITH OUT INSERT
CAD FILE NO.:	PART NO.:	EG3__T_____	DRW. NO.: UC3E2808