

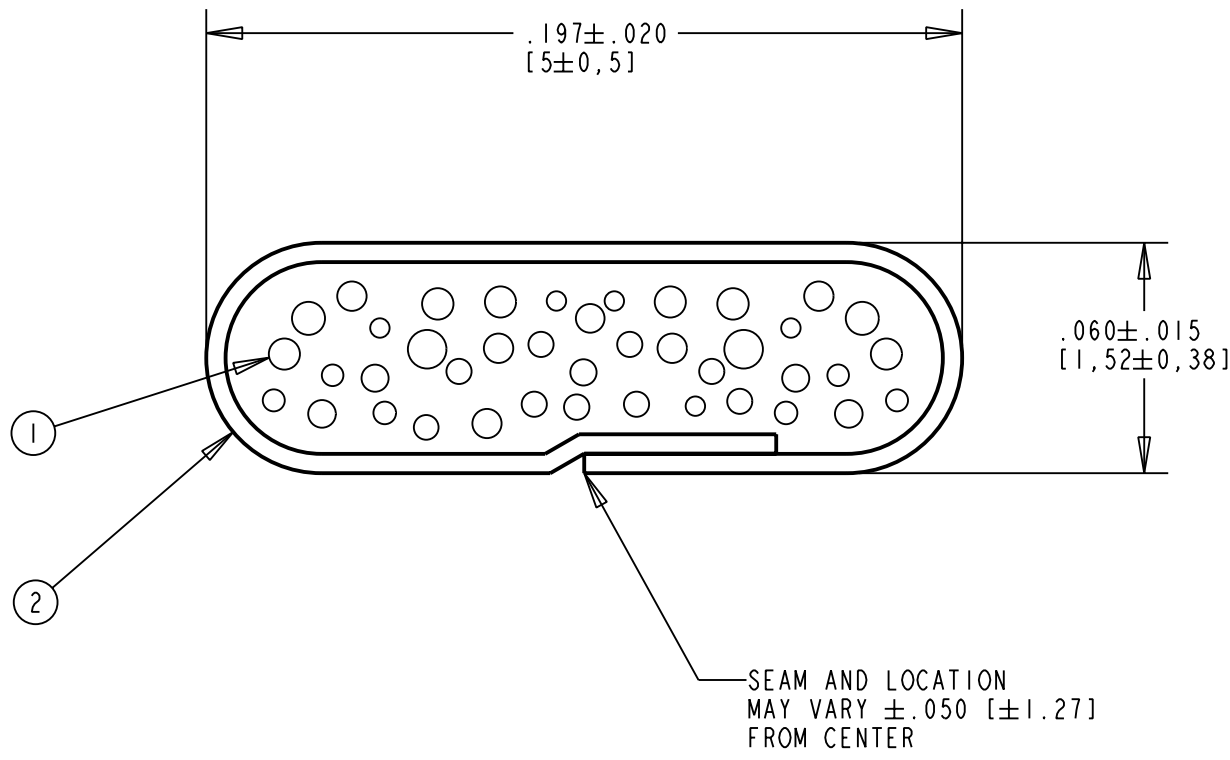
ROCHESTER DIVISION
PRODUCT PRINT

REVISIONS



The information disclosed on this drawing is confidential and the property of Schlegel Systems Inc. The use, disclosure, or reproduction of this of this information and related knowhow is prohibited without written permission from Schlegel

LEV	DESCRIPTION	DATE	BY



DO NOT SCALE DRAWING

DECIMAL DIMENSIONS \pm UNLESS OTHERWISE SPECIFIED mm. <input type="checkbox"/> In. <input type="checkbox"/>		3		
8/16/02		2	SEE B.O.M.	CONDUCTIVE FABRIC
SHEET 1 OF 2		1	SEE B.O.M.	URETHANE FOAM
SCALE: 20.00 : 1	APPROVED:	CHECKED:	DRAWN: E JL	TITLE: 1.5MM X 5.0MM EM1
CAD FILE NO.:	PART NO.:		ED9__X_____	DRW. NO.:
				UP3E1676

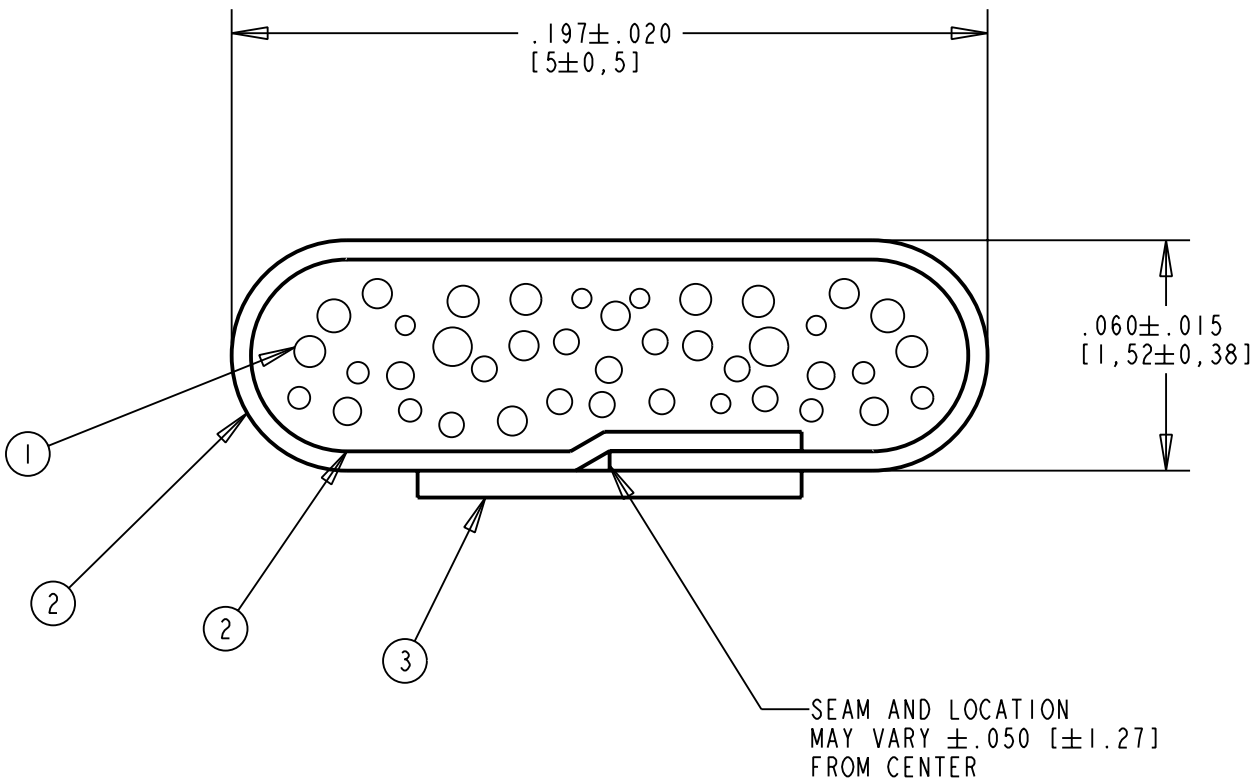
ROCHESTER DIVISION
PRODUCT PRINT

REVISIONS



The information disclosed on this drawing is confidential and the property of Schlegel Systems Inc. The use, disclosure, or reproduction of this information and related knowhow is prohibited without written permission from Schlegel

LEV	DESCRIPTION	DATE	BY



DO NOT SCALE DRAWING

DECIMAL DIMENSIONS ± UNLESS OTHERWISE SPECIFIED mm. <input type="checkbox"/> In. <input type="checkbox"/>	3	R2855-010-2	PRESURE SENSITIVE ADHESIVE .100" WIDE
8/16/02	2	SEE B.O.M.	CONDUCTIVE FABRIC
SHEET 2 OF 2	1	SEE B.O.M.	URETHANE FOAM
DRAWING SCALE: 20.00 : 1	APPROVED:	CHECKED:	DRAWN: E J L
CAD FILE NO.:	PART NO.:	TITLE: 1.5MM X 5.0MM EMI	
	ED9__T_____	DRW. NO.:	UP3E1676