

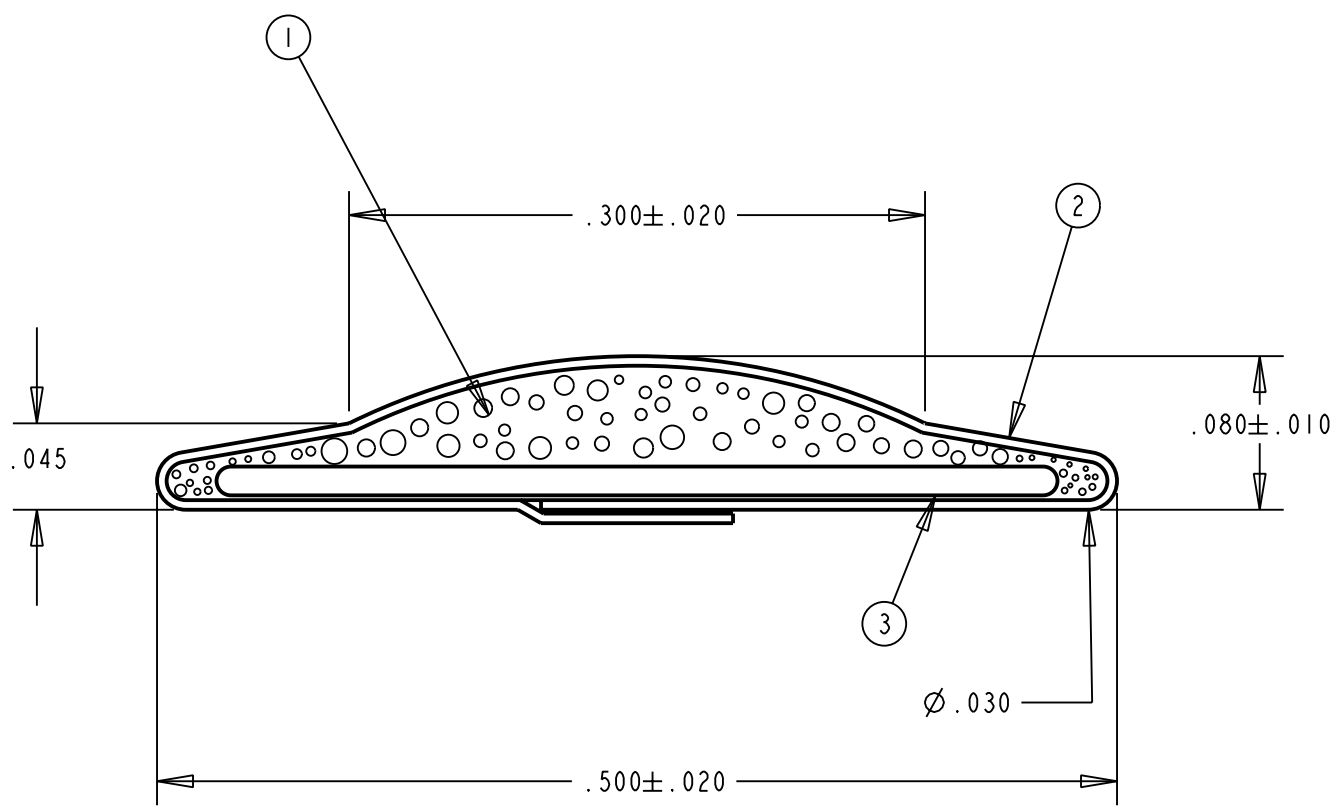
ROCHESTER DIVISION
PRODUCT PRINT

REVISIONS



The information disclosed on this drawing is confidential and the property of Schlegel Systems Inc. The use, disclosure, or reproduction of this of this information and related knowhow is prohibited without written permission from Schlegel

LEV	DESCRIPTION	DATE	BY



IP: 4229

DO NOT SCALE DRAWING

DECIMAL DIMENSIONS ± UNLESS OTHERWISE SPECIFIED mm. <input type="checkbox"/> In. <input type="checkbox"/>	3	M3457-044-2	.015 X .438 POLYCARBONATE INSERT
6/11/01	2	M301_ _ _ _	C-2 CONDUCTIVE FABRIC 1.0495" WIDE
SHEET 1 OF 2	1	57UF-9225-9	VO URETHANE FOAM .0160" C.S.A.
SCALE: 10.00 : 1	APPROVED:	CHECKED:	DRAWN: EJL
CAD FILE NO.:	PART NO.:	TITLE: 500 X .080 EMI SEAL	
	ED7_ _ X_ _ _ _ _	DRW. NO.:	UC3E2741

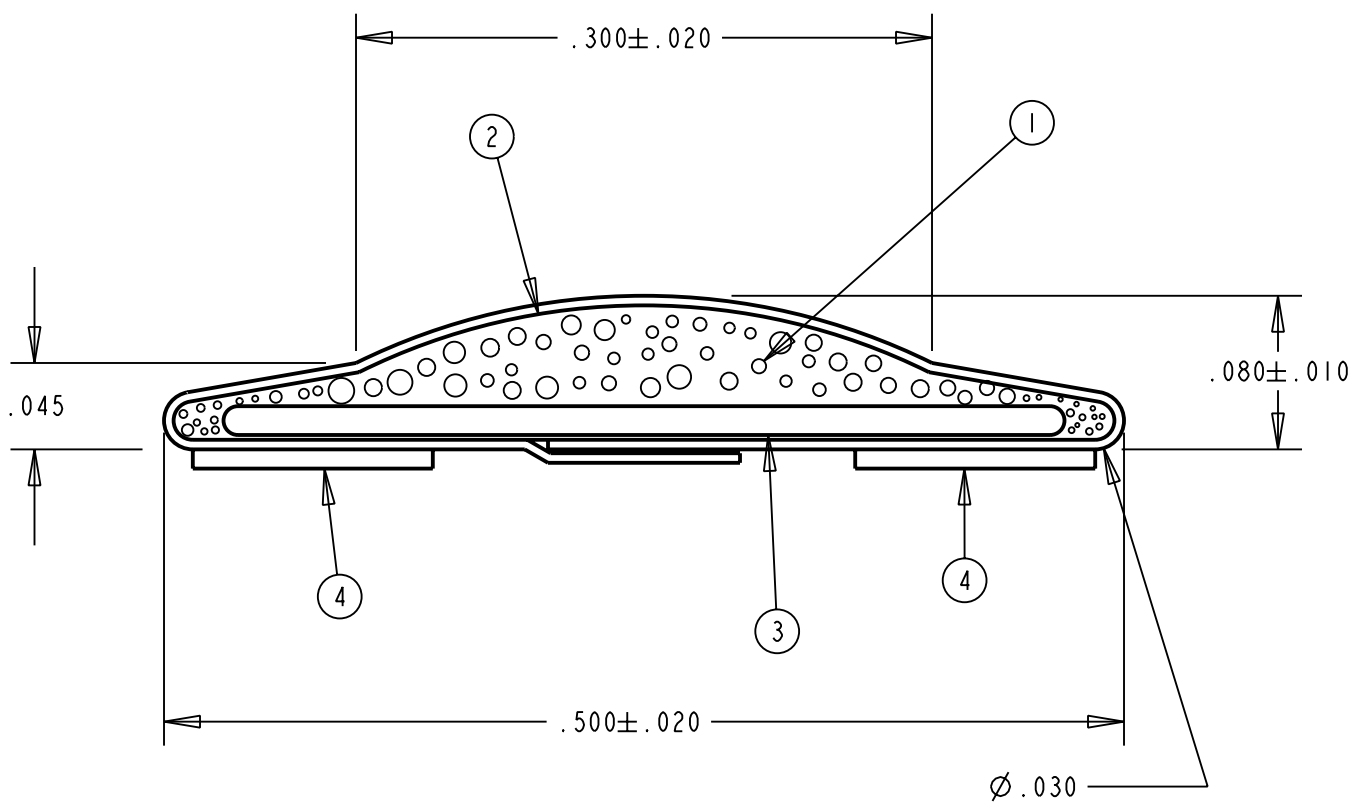
ROCHESTER DIVISION
PRODUCT PRINT

REVISIONS



The information disclosed on this drawing is confidential and the property of Schlegel Systems Inc. The use, disclosure, or reproduction of this information and related knowhow is prohibited without written permission from Schlegel

LEV	DESCRIPTION	DATE	BY



IP: 4229

DO NOT SCALE DRAWING DECIMAL DIMENSIONS ± UNLESS OTHERWISE SPECIFIED mm. <input type="checkbox"/> In. <input type="checkbox"/>	4	R2883-013-3	PRESSURE SENSITIVE ADHESIVE .125" WIDE
	3	M3457-044-2	.015 X .438 POLYCARBONATE INSERT
	2	M301_ _ _ _ _	CONDUCTIVE FABRIC 1.0495" WIDE
	1	57UF-9225-9	VO URETHANE FOAM .0160" C.S.A.
6/11/01	SHEET 2 OF 2		
DRAWING SCALE: 10.00 : 1	APPROVED:	CHECKED:	DRAWN: EJL
TITLE: 500 X .080 EMI SEAL		PART NO.: ED7_ _ _ _ _	
CAD FILE NO.:		DRW. NO.: UC3E2741	DE0013FM