

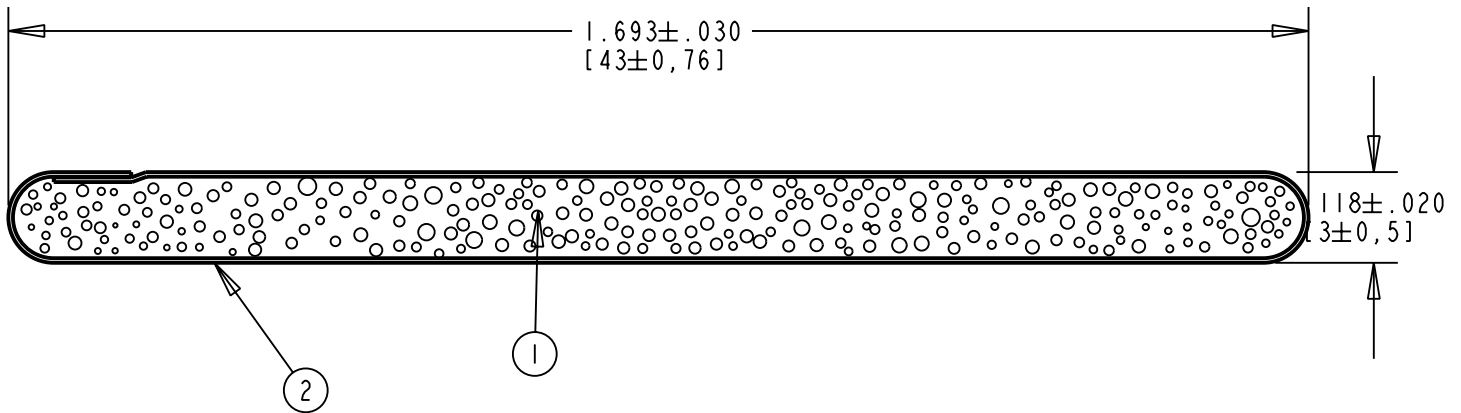
ROCHESTER DIVISION
PRODUCT PRINT

REVISIONS



"The information disclosed on this drawing is confidential and the property of Schlegel Systems Inc. The use, disclosure, or reproduction of this information and related knowhow is prohibited without written permission from Schlegel."

LEV	DESCRIPTION	DATE	BY
B	REV FLAP LOCATION	5/25/01	EL
C	REV PER ECO 2230	4/13/02	EL



IP: 4041

DO NOT SCALE DRAWING

DECIMAL DIMENSIONS ± UNLESS OTHERWISE SPECIFIED mm. <input type="checkbox"/> In. <input type="checkbox"/>		3		
5/11/01		2	SEE B.O.M.	CONDUCTIVE FABRIC
SHEET 1 OF 2		1	SEE B.O.M.	URETHANE FOAM
SCALE: 4.00 : 1	APPROVED:	CHECKED:	DRAWN: E J L	TITLE: 3MM X 43MM EMI
CAD FILE NO.:	PART NO.:		ED5__X_____	DRW. NO.:
			UP3E2709	DE0013FM

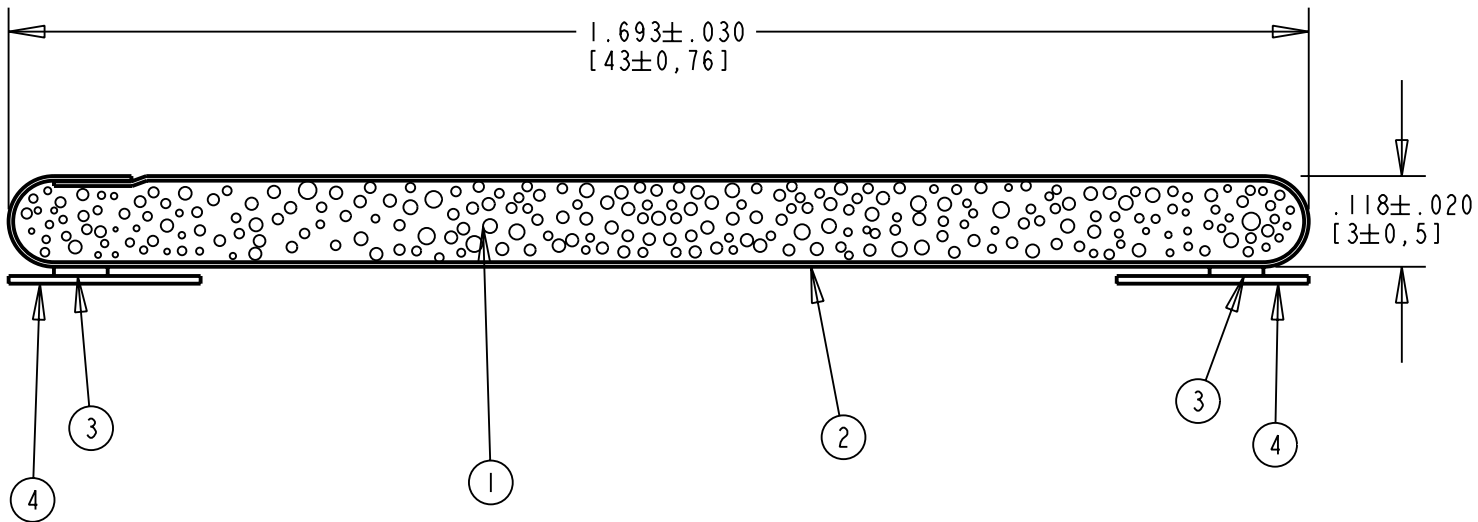
ROCHESTER DIVISION
PRODUCT PRINT

REVISIONS



The information disclosed on this drawing is confidential and the property of Schlegel Systems Inc. The use, disclosure, or reproduction of this information and related knowhow is prohibited without written permission from Schlegel

LEV	DESCRIPTION	DATE	BY
A	ADDED PROFILE NUMBER	5/7/01	EL
B	REV FLAP LOCATION	5/25/01	EL
C	REV PER ECO 2230	4/13/02	EL



IP: 4041

DO NOT SCALE DRAWING	4	M3429-025-1	RELEASE LINER .250" WIDE
DECIMAL DIMENSIONS ± UNLESS OTHERWISE SPECIFIED mm. <input type="checkbox"/> In. <input type="checkbox"/>	3	R2853-007-1	PRESSURE SENSITIVE ADHESIVE .070" WIDE
	2	SEE B.O.M.	CONDUCTIVE FABRIC
5/11/01	1	SEE B.O.M.	URETHANE FOAM
SHEET 2 OF 2	ITEM	R. M. NUMBER	MATERIAL DESCRIPTION
DRAWING SCALE: 4.00 : 1	APPROVED:	CHECKED:	DRAWN: EJL TITLE: 3MM X 43MM EMI
CAD FILE NO.:	PART NO.:	ED5__2Z__	DRW. NO.: UP3E2709