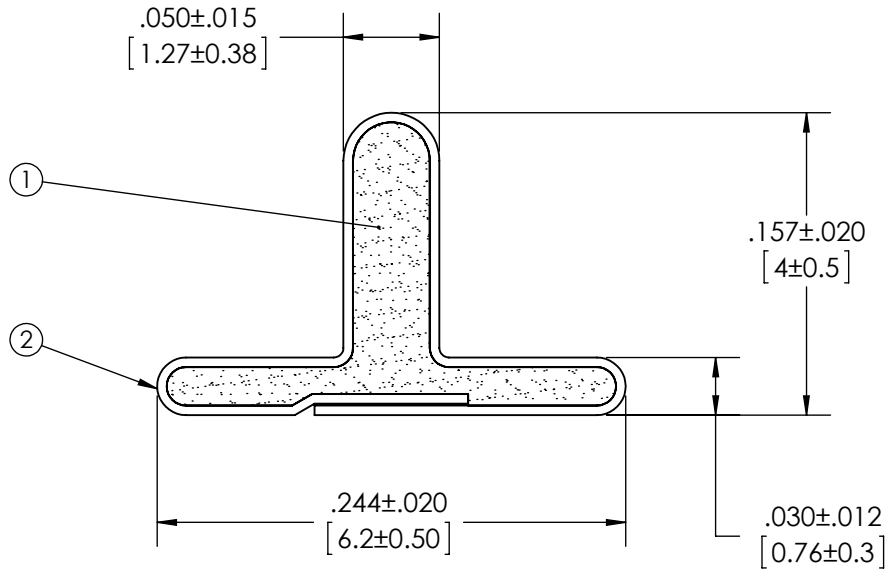
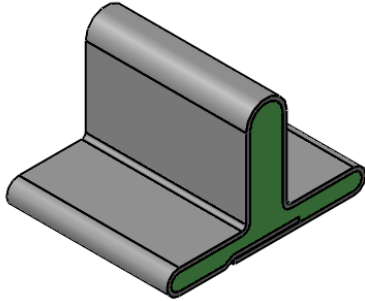


Revisions			
Level		Date	By
(B)	REV TO SOLIDWORKS	9/14/11	LWD
(C)			
(D)			
(E)			

ROCHESTER DIVISION PRODUCT PRINT

The information disclosed in this drawing is confidential and the property of Schlegel Electronic Materials, INC. The use, disclosure, or reproduction of this information and related know-how is prohibited without written permission from Schlegel Electronic Materials, INC.

- NOTES:
 1) REFERENCE DIMENSIONS (REF) HAVE NO TOLERANCE AND ARE FOR INFORMATIVE PURPOSES ONLY.
 2) FOR ALL MISSING DIMENSIONS 3D CAD FILES SHOULD BE USED.
 3) UNLESS OTHERWISE SPECIFIED INTERPRET TOLERANCES ACCORDING TO ISO 2768C.



TOLERANCES
 Profile thickness: $\pm .015$ " (0.38mm)
 Profile width: $\pm .020$ " (0.51mm)


 SCALE 1:1

IP: 3630
 (SIMILAR TO EA9)

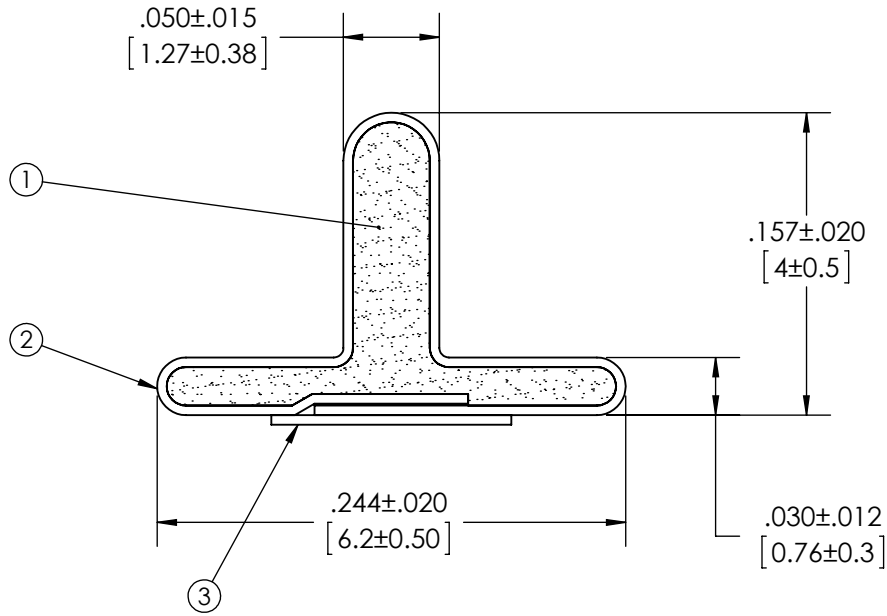
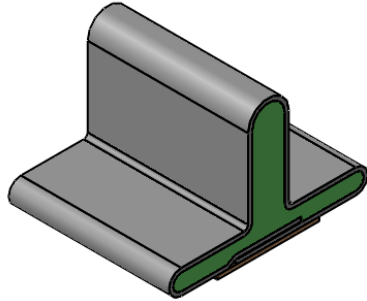
DIMS: MILLIMETERS <input checked="" type="checkbox"/> INCHES <input checked="" type="checkbox"/>		(4)		
PDR NO.:		(3)		
CUSTOMER NAME:		(2)		C-2 CONDUCTIVE FABRIC
CUST DWG NO.:		(1)		V-O FOAM
SIZE A	Date 9/14/2011	Item No.	RM Number	Material Description
SCALE: 10:1		Approved By	Drawn By LWD	Title 4MM T-SHAPE EMI WITHOUT INSERT
Cad File No. uc3E2666	Part No. ED1xxXxxxxx	Dwg. No. uc3e2666	Rev. B	

Level		Date	By
(B)	REV TO SOLIDWORKS	9/14/11	LWD
(C)			
(D)			
(E)			

ROCHESTER DIVISION PRODUCT PRINT

The information disclosed in this drawing is confidential and the property of Schlegel Electronic Materials, INC. The use, disclosure, or reproduction of this information and related know-how is prohibited without written permission from Schlegel Electronic Materials, INC.

- NOTES:
 1) REFERENCE DIMENSIONS (REF) HAVE NO TOLERANCE AND ARE FOR INFORMATIVE PURPOSES ONLY.
 2) FOR ALL MISSING DIMENSIONS 3D CAD FILES SHOULD BE USED.
 3) UNLESS OTHERWISE SPECIFIED INTERPRET TOLERANCES ACCORDING TO ISO 2768C.



TOLERANCES
 Profile thickness: $\pm .015$ " (0.38mm)
 Profile width: $\pm .020$ " (0.51mm)



SCALE 1:1

IP: 3630
 (SIMILAR TO EA9)

DIMS: MILLIMETERS <input checked="" type="checkbox"/> INCHES <input checked="" type="checkbox"/>		(4)		
PDR NO.:		(3)	R2883-013-3	HIGH SHEAR PSA .125" WIDE
CUSTOMER NAME:		(2)		C-2 CONDUCTIVE FABRIC
CUST DWG NO.:		(1)		V-O FOAM
SIZE A	Date 9/14/2011	Item No.	RM Number	Material Description
SCALE: 10:1		Approved By	Drawn By LWD	Title 4MM T-SHAPE EMI WITHOUT INSERT
Cad File No. uc3E2666	Part No. ED1xxTxxxxx	Dwg. No. uc3e2666	Rev. B	

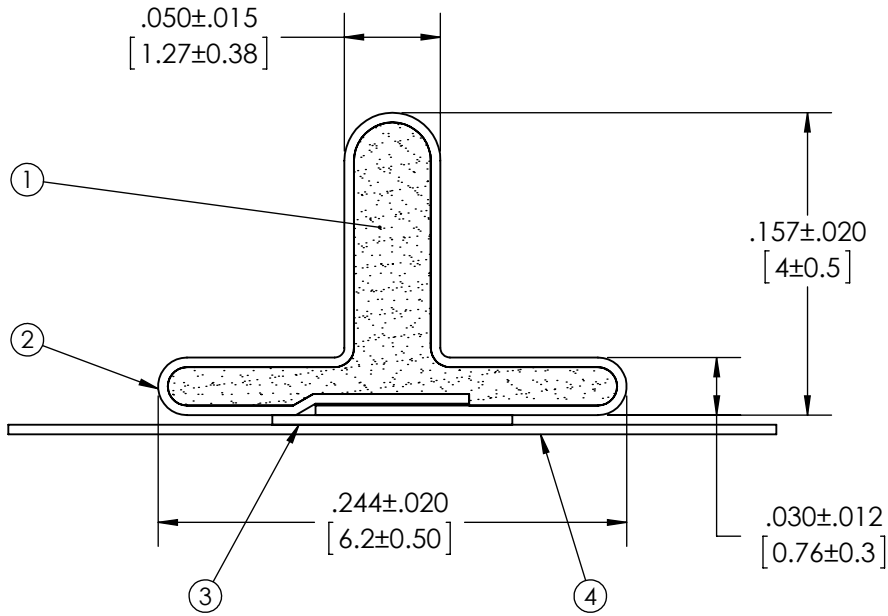
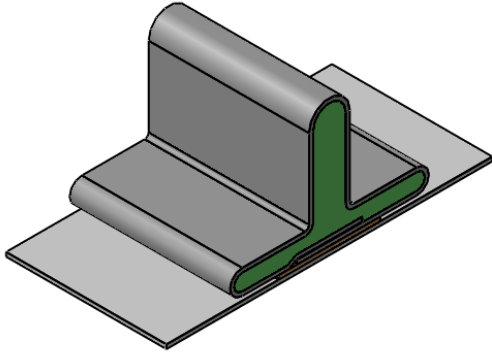
Level		Date	By
(B)	REV TO SOLIDWORKS	9/14/11	LWD
(C)			
(D)			
(E)			

ROCHESTER DIVISION PRODUCT PRINT

The information disclosed in this drawing is confidential and the property of Schlegel Electronic Materials, INC. The use, disclosure, or reproduction of this information and related know-how is prohibited without written permission from Schlegel Electronic Materials, INC.

NOTES:

- 1) REFERENCE DIMENSIONS (REF) HAVE NO TOLERANCE AND ARE FOR INFORMATIVE PURPOSES ONLY.
- 2) FOR ALL MISSING DIMENSIONS 3D CAD FILES SHOULD BE USED.
- 3) UNLESS OTHERWISE SPECIFIED INTERPRET TOLERANCES ACCORDING TO ISO 2768C.



TOLERANCES

Profile thickness: $\pm .015$ " (0.38mm)
 Profile width: $\pm .020$ " (0.51mm)



DIMS: MILLIMETERS <input checked="" type="checkbox"/> INCHES <input checked="" type="checkbox"/>		(4)	M3429-040-3	RELEASE LINER .400" WIDE
PDR NO.:		(3)	R2883-013-3	HIGH SHEAR PSA .125" WIDE
CUSTOMER NAME:		(2)		C-2 CONDUCTIVE FABRIC
CUST DWG NO.:		(1)		V-O FOAM
SIZE A	Date 9/14/2011	Item No.	RM Number	Material Description
SCALE: 10:1		Approved By	Drawn By LWD	Title 4MM T-SHAPE EMI WITHOUT INSERT
Cad File No. uc3E2666	Part No. ED1xxZHxxxx	Dwg. No. uc3e2666	Rev. B	