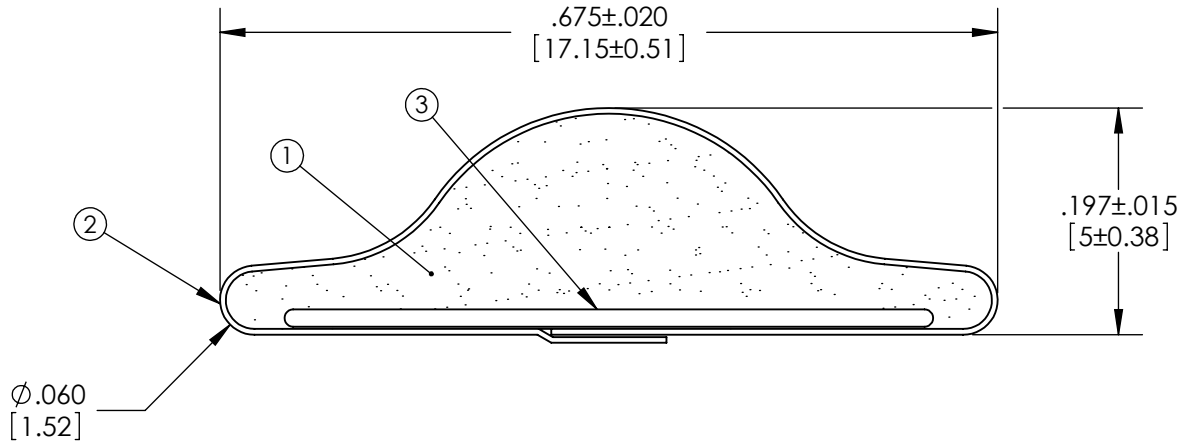
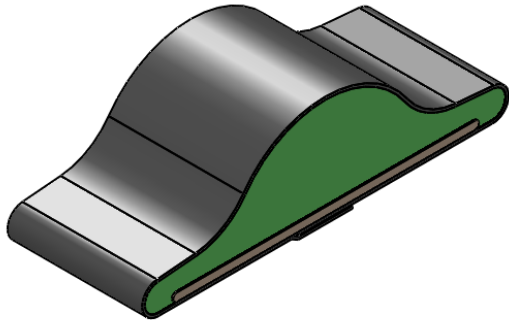


Level		Date	By
(A)	5mm HEIGHT WAS 6mm	11/22/00	EL
(C)	ADDED PROFILE NUMBER	2/12/01	EL
(D)	REV SHEET 2	6/1/01	EL
(E)	REV TO SOLIDWORKS	2/8/10	BEP

ROCHESTER DIVISION PRODUCT PRINT

The information disclosed in this drawing is confidential and the property of Schlegel Electronic Materials, INC. The use, disclosure, or reproduction of this information and related know-how is prohibited without written permission from Schlegel Electronic Materials, INC.



TOLERANCES

Profile thickness:  $\pm .015$ " (0.38mm)  
 Profile width:  $\pm .020$ " (0.51mm)



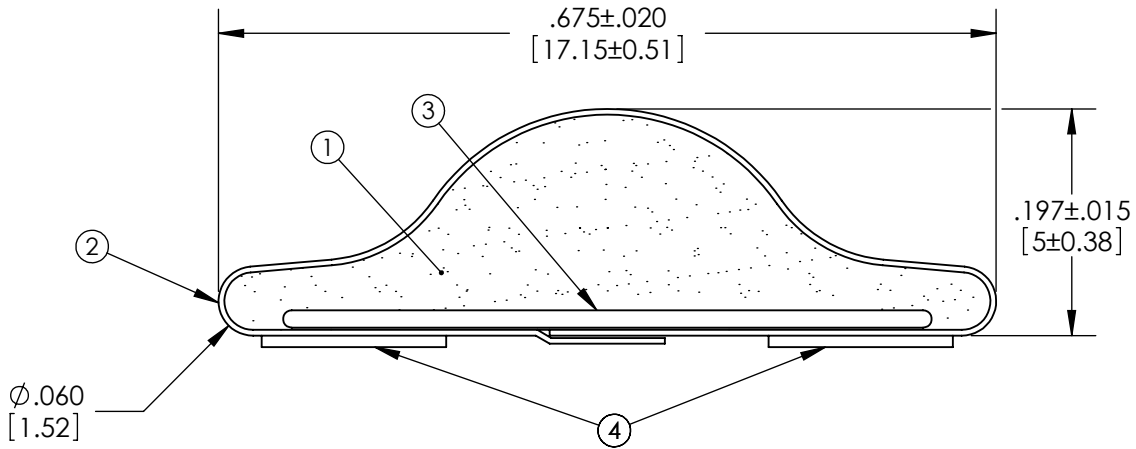
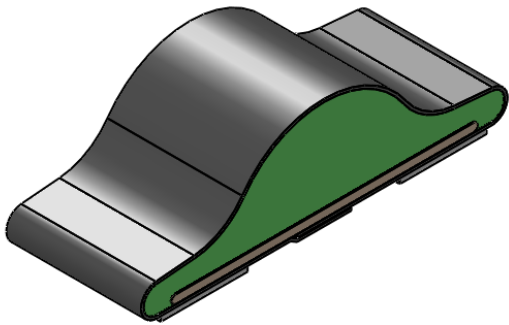
SCALE 1:1

DIMS: MILLIMETERS <input checked="" type="checkbox"/> INCHES <input checked="" type="checkbox"/>		<input checked="" type="checkbox"/> <input type="checkbox"/>		(4)		
PDR NO.:		(3)		SEE B.O.M.	.563" WIDE INSERT	
CUSTOMER NAME:		(2)		SEE B.O.M.	CONDUCTIVE FABRIC	
CUST DWG NO.:		(1)		SEE B.O.M.	URETHANE FOAM	
SIZE A	Date 8/21/2000	Item No.	RM Number	Material Description		
SCALE: 6:1	Approved By	Drawn By EJL	Title 5mm x 17.2mm LOW D-SHAPE EMI			
Cad File No. UC24871E	Part No. EC9xxXxxxxx	Dwg. No. UC3E2487	Rev. E			

ROCHESTER DIVISION PRODUCT PRINT

The information disclosed in this drawing is confidential and the property of Schlegel Electronic Materials, INC. The use, disclosure, or reproduction of this information and related know-how is prohibited without written permission from Schlegel Electronic Materials, INC.

Revisions			
Level		Date	By
(A)	5mm HEIGHT WAS 6mm	11/22/00	EL
(B)	REV TITLE	12/14/00	EL
(C)	ADDED PROFILE NUMBER	2/12/01	EL
(D)	REV SHEET 2	6/1/01	EL
(E)	REV TO SOLIDWORKS	2/8/10	BEP



TOLERANCES

Profile thickness:  $\pm 0.015$ " (0.38mm)  
 Profile width:  $\pm 0.020$ " (0.51mm)



SCALE 1:1

DIMS: MILLIMETERS <input checked="" type="checkbox"/> INCHES <input checked="" type="checkbox"/>		<input checked="" type="checkbox"/> <input type="checkbox"/>		(4)	SEE B.O.M.	PSA .160" WIDE (UNLESS OTHERWISE SPECIFIED)
PDR NO.:				(3)	SEE B.O.M.	.563" WIDE INSERT
CUSTOMER NAME:				(2)	SEE B.O.M.	CONDUCTIVE FABRIC
CUST DWG NO.:				(1)	SEE B.O.M.	URETHANE FOAM
SIZE A	Date 8/21/2000	SHEET 2 OF 2		Item No.	RM Number	Material Description
SCALE: 6:1	Approved By	Drawn By EJL		Title 5mm x 17.2mm LOW D-SHAPE EMI		
Cad File No. UC24871E	Part No. EC9xx2Txxxx	Dwg. No. UC3E2487		Rev. E		