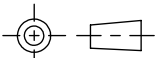
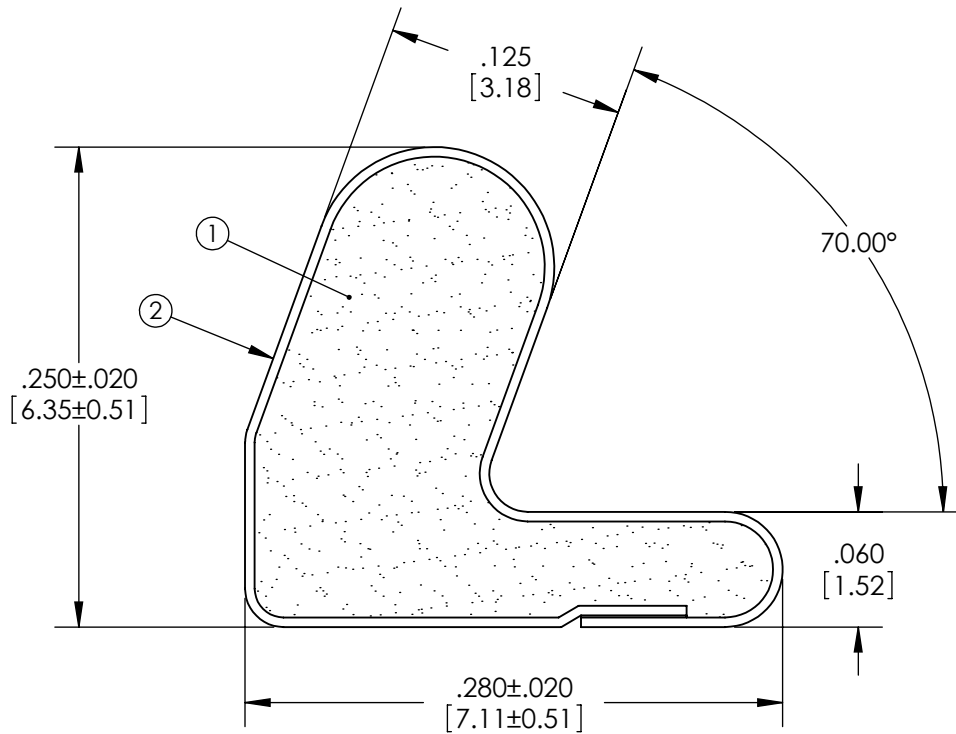
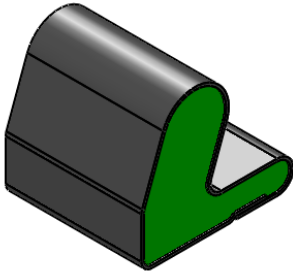


Revisions			
Level		Date	By
(A)	REV TO SOLIDWORKS	11/24/09	BEP
(B)			
(C)			
(D)			

ROCHESTER DIVISION PRODUCT PRINT

The information disclosed in this drawing is confidential and the property of Schlegel Electronic Materials, INC. The use, disclosure, or reproduction of this information and related know-how is prohibited without written permission from Schlegel Electronic Materials, INC.



TOLERANCES  
 Profile thickness: ±.020" (0.51mm)  
 Profile width: ±.020" (0.51mm)



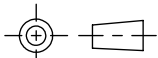
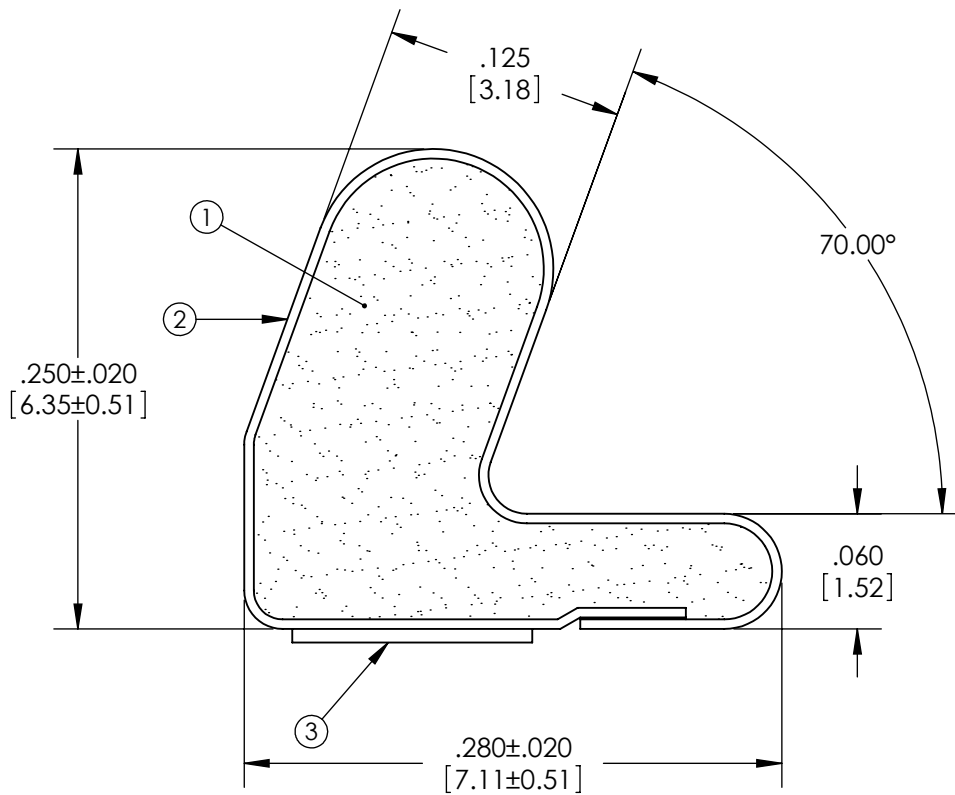
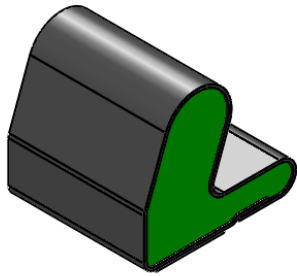
SCALE 1:1

PDR NO.:	(4)		
QUOTE NO.:	(3)		
CUSTOMER NAME:	(2)	SEE B.O.M.	CONDUCTIVE FABRIC
CUST DWG NO.:	(1)	SEE B.O.M.	URETHANE FOAM
SIZE A	Date	11/24/2009	
	SHEET 1 OF 3		Item No. RM Number Material Description
SCALE: 10:1	Approved By	Drawn By	BEP
		Title	6.4mm x 7.1mm C-FOLD EMI
Cad File No. UP24651A	Part No. EC3xxXxxxxx	Dwg. No. UP3E2465	Rev. A

Level		Date	By
(A)	REV TO SOLIDWORKS	11/24/09	BEP
(B)			
(C)			
(D)			

ROCHESTER DIVISION PRODUCT PRINT

The information disclosed in this drawing is confidential and the property of Schlegel Electronic Materials, INC. The use, disclosure, or reproduction of this information and related know-how is prohibited without written permission from Schlegel Electronic Materials, INC.



TOLERANCES  
 Profile thickness:  $\pm .020$ " (0.51mm)  
 Profile width:  $\pm .020$ " (0.51mm)



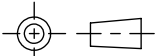
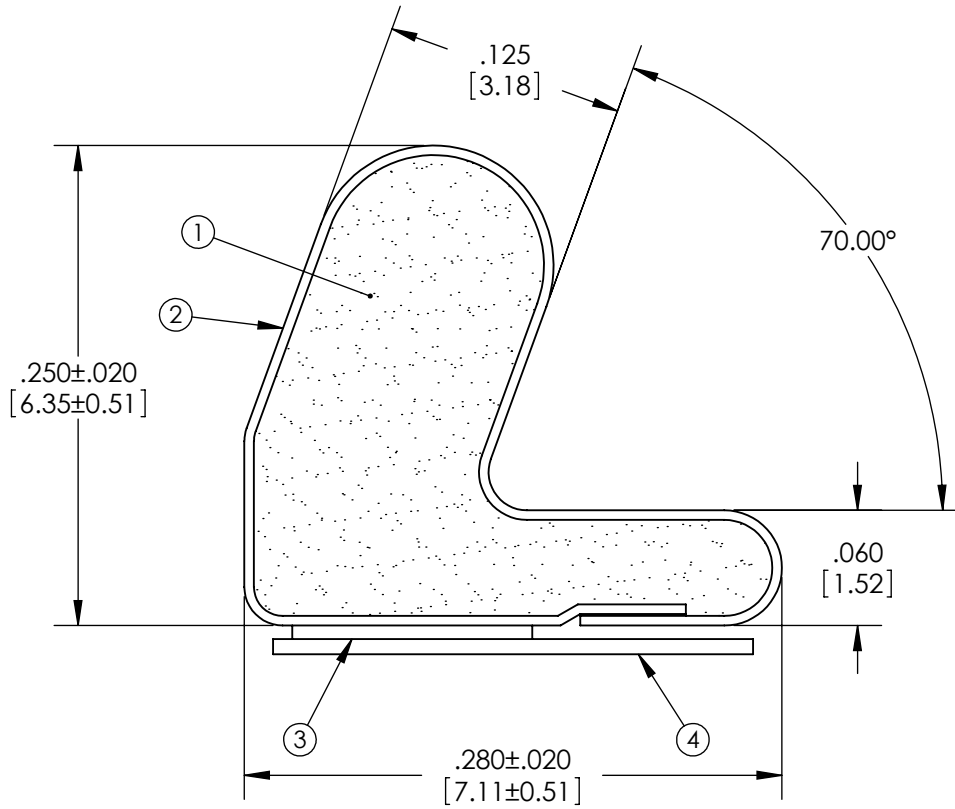
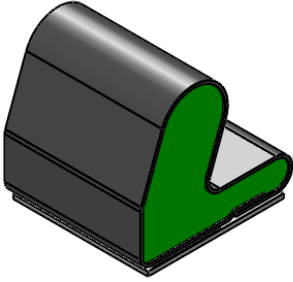
SCALE 1:1

PDR NO.:	(4)		
QUOTE NO.:	(3)	SEE B.O.M.	PSA .125" WIDE (UNLESS OTHERWISE SPECIFIED)
CUSTOMER NAME:	(2)	SEE B.O.M.	CONDUCTIVE FABRIC
CUST DWG NO.:	(1)	SEE B.O.M.	URETHANE FOAM
SIZE	Date	11/24/2009	
<b>A</b>	SHEET 2 OF 3		Material Description
SCALE: 10:1	Approved By	Drawn By	BE P
Title		6.4mm x 7.1mm C-FOLD EMI	
Cad File No.	UP24651A	Part No.	EC3xxTxxxxx
Dwg. No.	UP3E2465	Rev.	A

Revisions			
Level		Date	By
(A)	REV TO SOLIDWORKS	11/24/09	BEP
(B)			
(C)			
(D)			

ROCHESTER DIVISION PRODUCT PRINT

The information disclosed in this drawing is confidential and the property of Schlegel Electronic Materials, INC. The use, disclosure, or reproduction of this information and related know-how is prohibited without written permission from Schlegel Electronic Materials, INC.



TOLERANCES  
 Profile thickness: ±.020" (0.51mm)  
 Profile width: ±.020" (0.51mm)

  
 SCALE 1:1

PDR NO.:	(4)	SEE B.O.M.	RELEASE LINER .250" WIDE (UNLESS OTHERWISE SPECIFIED)
QUOTE NO.:	(3)	SEE B.O.M.	PSA .125" WIDE (UNLESS OTHERWISE SPECIFIED)
CUSTOMER NAME:	(2)	SEE B.O.M.	CONDUCTIVE FABRIC
CUST DWG NO.:	(1)	SEE B.O.M.	URETHANE FOAM
DATE	11/24/2009		
SIZE	A		
SHEET 3 OF 3		Item No.	Material Description
SCALE: 10:1	Approved By	Drawn By: BEP	Title: 6.4mm x 7.1mm C-FOLD EMI
Cad File No. UP24651A	Part No. EC3xxZxxxxx	Dwg. No. UP3E2465	Rev. A