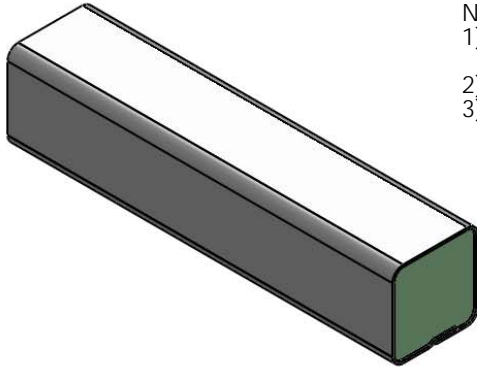


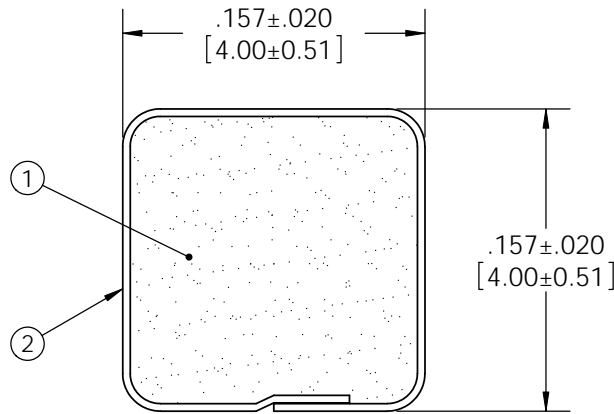
Level		Date	By
(A)	WAS UC3E2291		
(B)	REV TO SOLIDWORKS	4/5/10	BEP
(C)			
(D)			

ROCHESTER DIVISION PRODUCT PRINT

The information disclosed in this drawing is confidential and the property of Schlegel Electronic Materials, INC. The use, disclosure, or reproduction of this information and related know-how is prohibited without written permission from Schlegel Electronic Materials, INC.



- NOTES:
 1) REFERENCE DIMENSIONS (REF) HAVE NO TOLERANCE AND ARE FOR INFORMATIVE PURPOSES ONLY.
 2) FOR ALL MISSING DIMENSIONS 3D CAD FILES SHOULD BE USED.
 3) UNLESS OTHERWISE SPECIFIED INTERPRET TOLERANCES ACCORDING TO ISO 2768C.



TOLERANCES

Profile thickness: ±.020" (0.51mm)
 Profile width: ±.020" (0.51mm)



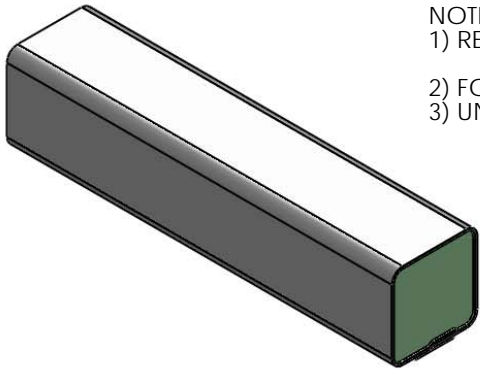
SCALE 1:1

DIMS: MILLIMETERS <input checked="" type="checkbox"/> INCHES <input checked="" type="checkbox"/>		<input checked="" type="checkbox"/> <input type="checkbox"/>	(4)		
PDR NO.:			(3)		
CUSTOMER NAME: GENERAL MARKET			(2)	SEE B.O.M.	CONDUCTIVE FABRIC
CUST DWG NO.: N/A			(1)	SEE B.O.M.	URETHANE FOAM
SIZE A	Date 2000/7/31			Item No.	RM Number
SHEET 1 OF 2				Material Description	
SCALE: 10:1	Approved By	Drawn By MJD	Title 4.00mm x 4.00mm SQUARE EMI		
Cad File No. UP22911B	Part No. EB4xxXXXXXX	Dwg. No. UP3E2291	Rev. B		

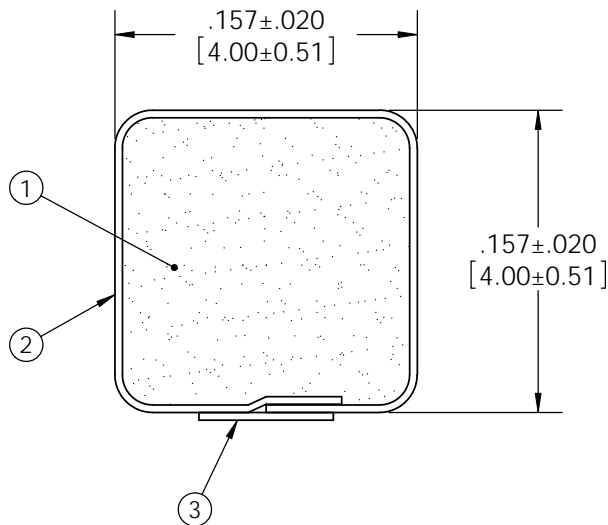
Level		Date	By
(A)	WAS UC3E2291		
(B)	REV TO SOLIDWORKS	4/5/10	BEP
(C)			
(D)			

ROCHESTER DIVISION PRODUCT PRINT

The information disclosed in this drawing is confidential and the property of Schlegel Electronic Materials, INC. The use, disclosure, or reproduction of this information and related know-how is prohibited without written permission from Schlegel Electronic Materials, INC.



- NOTES:
- 1) REFERENCE DIMENSIONS (REF) HAVE NO TOLERANCE AND ARE FOR INFORMATIVE PURPOSES ONLY.
 - 2) FOR ALL MISSING DIMENSIONS 3D CAD FILES SHOULD BE USED.
 - 3) UNLESS OTHERWISE SPECIFIED INTERPRET TOLERANCES ACCORDING TO ISO 2768C.



TOLERANCES

Profile thickness: $\pm .020$ " (0.51mm)
 Profile width: $\pm .020$ " (0.51mm)



SCALE 1:1

DIMS: MILLIMETERS <input checked="" type="checkbox"/> INCHES <input checked="" type="checkbox"/>		<input checked="" type="checkbox"/> <input type="checkbox"/> <input type="checkbox"/>		(4)		
PDR NO.:		(3)		SEE B.O.M.	PSA .070" WIDE (UNLESS OTHERWISE SPECIFIED)	
CUSTOMER NAME: GENERAL MARKET		(2)		SEE B.O.M.	CONDUCTIVE FABRIC	
CUST DWG NO.: N/A		(1)		SEE B.O.M.	URETHANE FOAM	
SIZE A	Date 2000/7/31	Item No.	RM Number		Material Description	
SHEET 2 OF 2						
SCALE: 10:1	Approved By	Drawn By: MJM	Title 4.00mm x 4.00mm SQUARE EMI			
Cad File No. UP22911B	Part No. EB4xxXxxxxx	Dwg. No. UP3E2291	Rev. B			