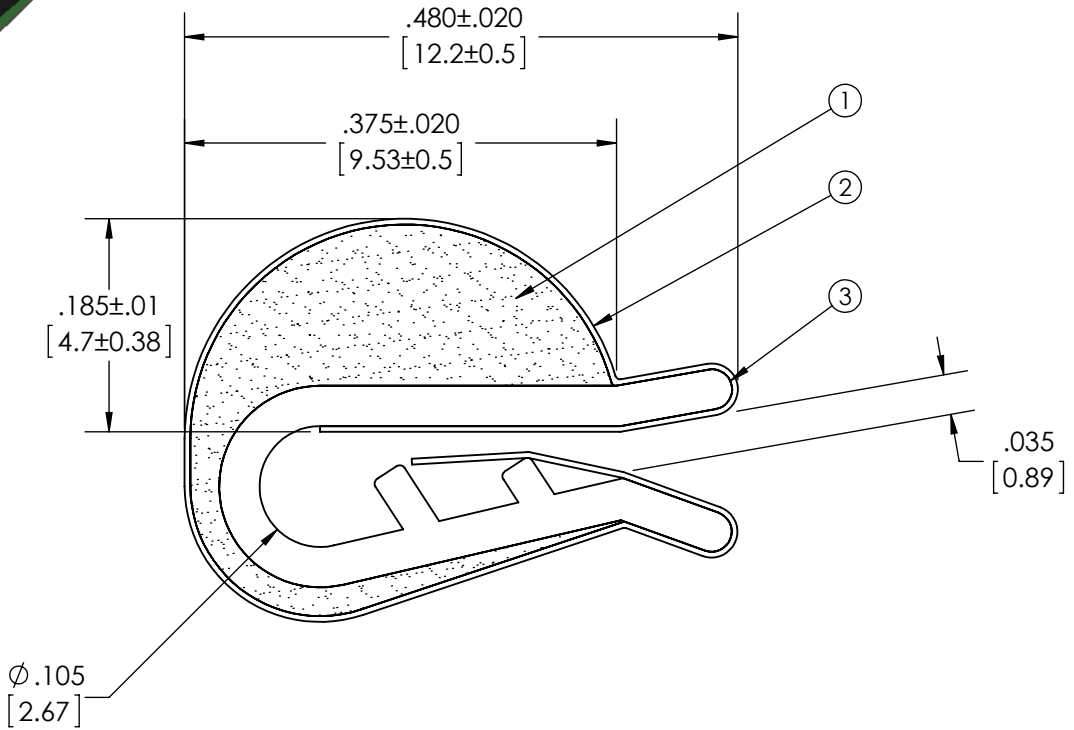
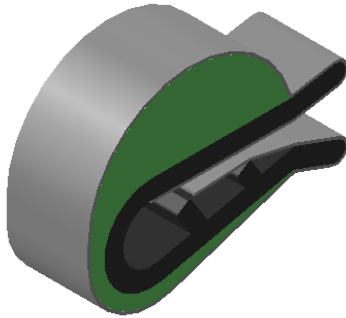


Revisions			
Level		Date	By
(D)	REV TO SOLIDWORKS	8/23/11	LWD
(E)			
(F)			
(G)			

ROCHESTER DIVISION PRODUCT PRINT

The information disclosed in this drawing is confidential and the property of Schlegel Electronic Materials, INC. The use, disclosure, or reproduction of this information and related know-how is prohibited without written permission from Schlegel Electronic Materials, INC.

- NOTES:
 1) REFERENCE DIMENSIONS (REF) HAVE NO TOLERANCE AND ARE FOR INFORMATIVE PURPOSES ONLY.
 2) FOR ALL MISSING DIMENSIONS 3D CAD FILES SHOULD BE USED.
 3) UNLESS OTHERWISE SPECIFIED INTERPRET TOLERANCES ACCORDING TO ISO 2768C.



TOLERANCES
 Profile thickness: ±.015" (0.38mm)
 Profile width: ±.020" (0.51mm)



SCALE 1:1

DIMS: MILLIMETERS <input checked="" type="checkbox"/> INCHES <input checked="" type="checkbox"/>		(4)		
PDR NO.:		(3)	SEE B.O.M.	INSERT PC200977
CUSTOMER NAME:		(2)	SEE B.O.M.	CONDUCTIVE FABRIC 1.9673" WIDE
CUST DWG NO.:		(1)	SEE B.O.M.	V0 URETHANE FOAM .0490" C.S.A
SIZE A	Date 8/23/2011	Item No.	RM Number	Material Description
SHEET 1 OF 1				
SCALE: 6:1	Approved By	Drawn By LWD	Title 480 X 185 EMI D-CLIP	
Cad File No. CC87591A	Part No. EB1xxXxxxxx	Dwg. No. up3e2196	Rev. D	