

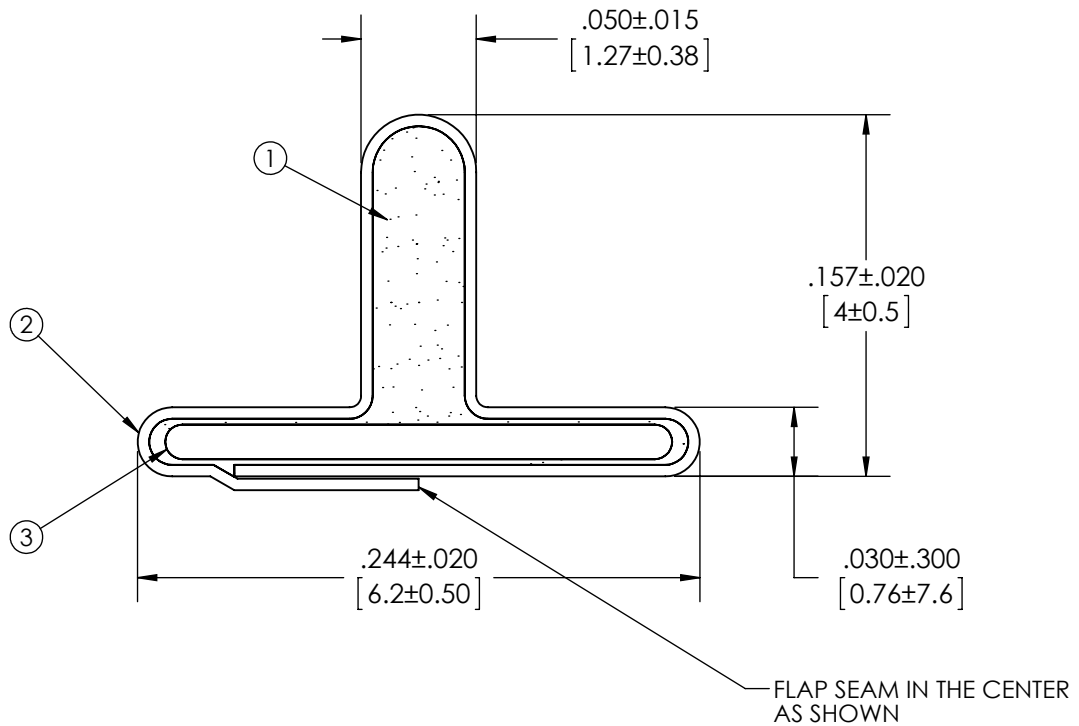
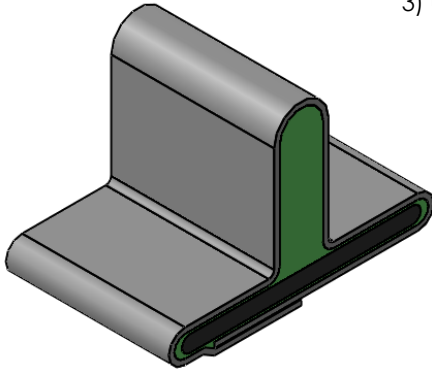
Revisions			
Level		Date	By
(H)	REV TO SOLIDWORKS	8/15/11	LWD
(I)			
(J)			
(K)			

ROCHESTER DIVISION PRODUCT PRINT

The information disclosed in this drawing is confidential and the property of Schlegel Electronic Materials, INC. The use, disclosure, or reproduction of this information and related know-how is prohibited without written permission from Schlegel Electronic Materials, INC.

NOTES:

- 1) REFERENCE DIMENSIONS (REF) HAVE NO TOLERANCE AND ARE FOR INFORMATIVE PURPOSES ONLY.
- 2) FOR ALL MISSING DIMENSIONS 3D CAD FILES SHOULD BE USED.
- 3) UNLESS OTHERWISE SPECIFIED INTERPRET TOLERANCES ACCORDING TO ISO 2768C.



TOLERANCES

Profile thickness: $\pm .015$ " (0.38mm)
 Profile width: $\pm .020$ " (0.51mm)

 SCALE 1:1

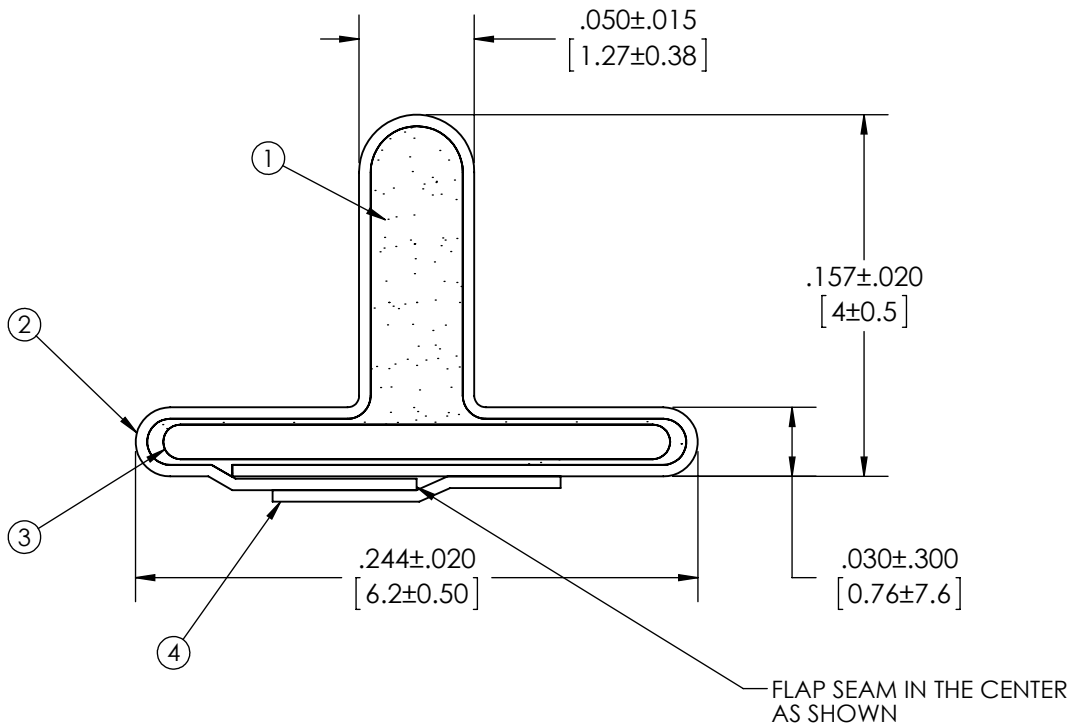
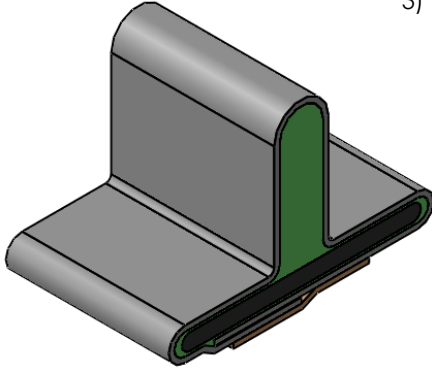
DIMS: MILLIMETERS <input checked="" type="checkbox"/> INCHES <input checked="" type="checkbox"/>		④		
PDR NO.:		③	SEE B.O.M.	.015 X .220 POLYCARBONATE INSERT WITH PERFORATIONS
CUSTOMER NAME:		②	SEE B.O.M.	CONDUCTIVE FABRIC
CUST DWG NO.:		①	SEE B.O.M.	URETHANE FOAM
SIZE A	Date 8/12/2011	Item No.	RM Number	Material Description
SCALE: 12:1		Approved By	Drawn By LWD	Title 4MM T-SHAPE EMI
Cad File No. uc3e2264	Part No. EA9xxXxxxxx	Dwg. No. UC3E2264	Rev. H	

Revisions			
Level		Date	By
(H)	REV TO SOLIDWORKS	8/15/11	LWD
(I)			
(J)			
(K)			

ROCHESTER DIVISION PRODUCT PRINT

The information disclosed in this drawing is confidential and the property of Schlegel Electronic Materials, INC. The use, disclosure, or reproduction of this information and related know-how is prohibited without written permission from Schlegel Electronic Materials, INC.

- NOTES:
 1) REFERENCE DIMENSIONS (REF) HAVE NO TOLERANCE AND ARE FOR INFORMATIVE PURPOSES ONLY.
 2) FOR ALL MISSING DIMENSIONS 3D CAD FILES SHOULD BE USED.
 3) UNLESS OTHERWISE SPECIFIED INTERPRET TOLERANCES ACCORDING TO ISO 2768C.



TOLERANCES
 Profile thickness: $\pm .015$ " (0.38mm)
 Profile width: $\pm .020$ " (0.51mm)

SCALE 1:1

DIMS: MILLIMETERS <input checked="" type="checkbox"/> INCHES <input checked="" type="checkbox"/>		(4)	SEE B.O.M.	PRESSURE SENSITIVE ADHESIVE .125" WIDE
PDR NO.:		(3)	SEE B.O.M.	.015 X .220 POLYCARBONATE INSERT WITH PERFORATIONS
CUSTOMER NAME:		(2)	SEE B.O.M.	CONDUCTIVE FABRIC
CUST DWG NO.:		(1)	SEE B.O.M.	URETHANE FOAM
SIZE A	Date 8/12/2011	Item No.		Material Description
SHEET 2 OF 2		RM Number		
SCALE: 12:1	Approved By	Drawn By LWD	Title 4MM T-SHAPE EMI	
Cad File No. uc3e2264	Part No. EA9xxxxxxx	Dwg. No. UC3E2264	Rev. H	