

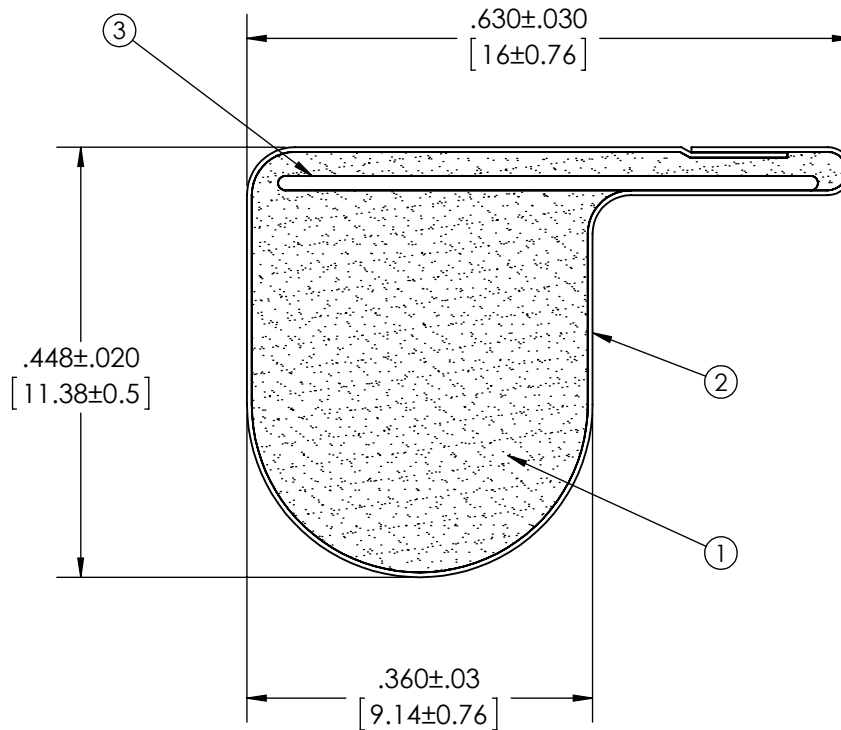
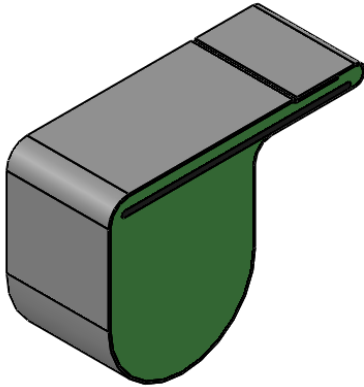
Level		Date	By
(B)	REV TO SOLIDWORKS	8/11/11	LWD
(C)			
(D)			
(E)			

ROCHESTER DIVISION PRODUCT PRINT

The information disclosed in this drawing is confidential and the property of Schlegel Electronic Materials, INC. The use, disclosure, or reproduction of this information and related know-how is prohibited without written permission from Schlegel Electronic Materials, INC.

NOTES:

- 1) REFERENCE DIMENSIONS (REF) HAVE NO TOLERANCE AND ARE FOR INFORMATIVE PURPOSES ONLY.
- 2) FOR ALL MISSING DIMENSIONS 3D CAD FILES SHOULD BE USED.
- 3) UNLESS OTHERWISE SPECIFIED INTERPRET TOLERANCES ACCORDING TO ISO 2768C.



SCALE 1:1

TOLERANCES

Profile thickness: ±.015" (0.38mm)
 Profile width: ±.020" (0.51mm)

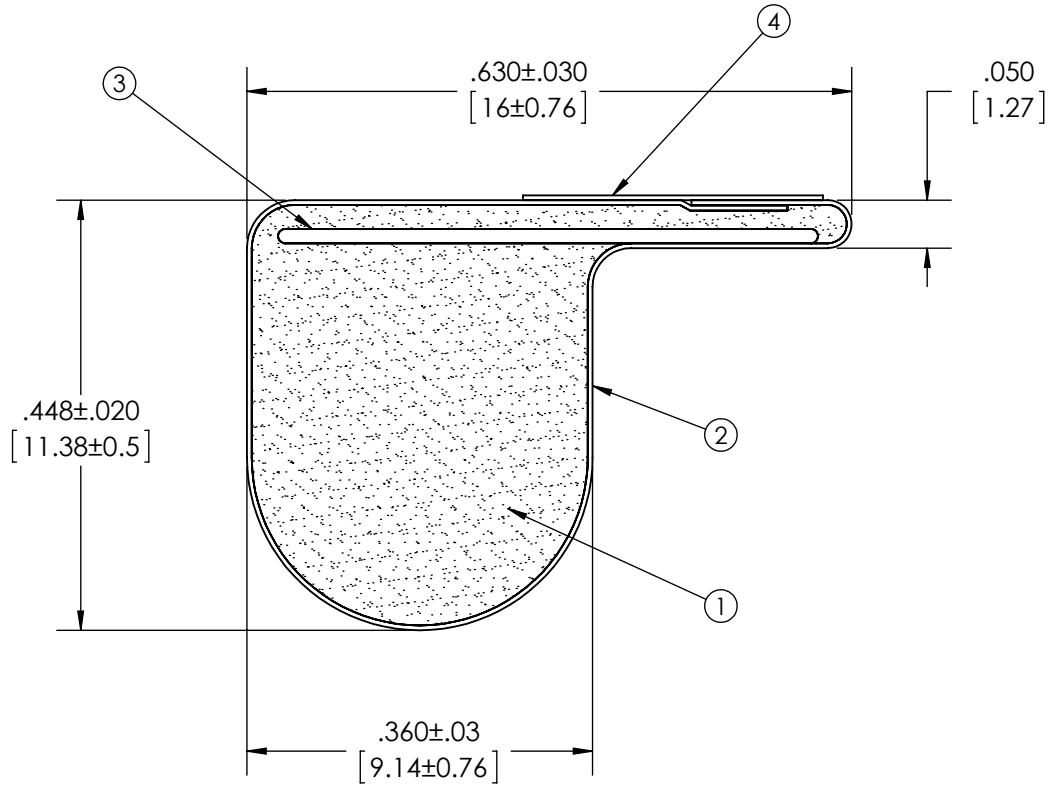
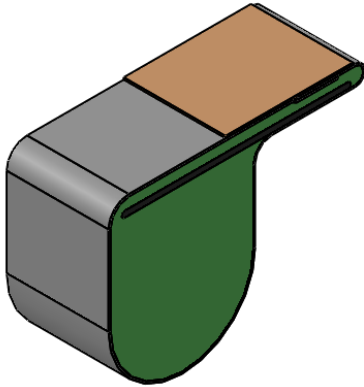
DIMS: MILLIMETERS <input checked="" type="checkbox"/> INCHES <input checked="" type="checkbox"/>		(4)		
PDR NO.:		(3)	SEE B.O.M.	INSERT XXXXXX
CUSTOMER NAME:		(2)	SEE B.O.M.	CONDUCTIVE FABRIC
CUST DWG NO.:		(1)	SEE B.O.M.	URETHANE FOAM
SIZE A	Date 8/11/2011	SHEET 1 OF 2		Material Description
SCALE: 4:1	Approved By	Item No.	RM Number	Title 11.38MM X 16MM P-SHAPE EMI
Cad File No. UP3E2229	Part No. EA7xxXxxxxx	Drawn By LWD	Dwg. No. up3e2229	Rev. B

Level		Date	By
(B)	REV TO SOLIDWORKS	8/11/11	LWD
(C)			
(D)			
(E)			

ROCHESTER DIVISION PRODUCT PRINT

The information disclosed in this drawing is confidential and the property of Schlegel Electronic Materials, INC. The use, disclosure, or reproduction of this information and related know-how is prohibited without written permission from Schlegel Electronic Materials, INC.

- NOTES:
 1) REFERENCE DIMENSIONS (REF) HAVE NO TOLERANCE AND ARE FOR INFORMATIVE PURPOSES ONLY.
 2) FOR ALL MISSING DIMENSIONS 3D CAD FILES SHOULD BE USED.
 3) UNLESS OTHERWISE SPECIFIED INTERPRET TOLERANCES ACCORDING TO ISO 2768C.



SCALE 1:1

TOLERANCES

Profile thickness: ±.015" (0.38mm)
 Profile width: ±.020" (0.51mm)

DIMS: MILLIMETERS <input checked="" type="checkbox"/> INCHES <input checked="" type="checkbox"/>		(4)	SEE B.O.M.	PSA .313" WIDE UNLESS OTHERWISE SPECIFIED
PDR NO.:		(3)	SEE B.O.M.	INSERT XXXXXX
CUSTOMER NAME:		(2)	SEE B.O.M.	CONDUCTIVE FABRIC
CUST DWG NO.:		(1)	SEE B.O.M.	URETHANE FOAM
SIZE	Date 8/11/2011	Item No.		Material Description
SHEET 2 OF 2		RM Number		
SCALE: 4:1	Approved By	Drawn By LWD	Title 11.38MM X 16MM P-SHAPE EMI	
Cad File No. UP3E2229	Part No. EA7xxxxxxxx	Dwg. No. up3e2229	Rev. B	