

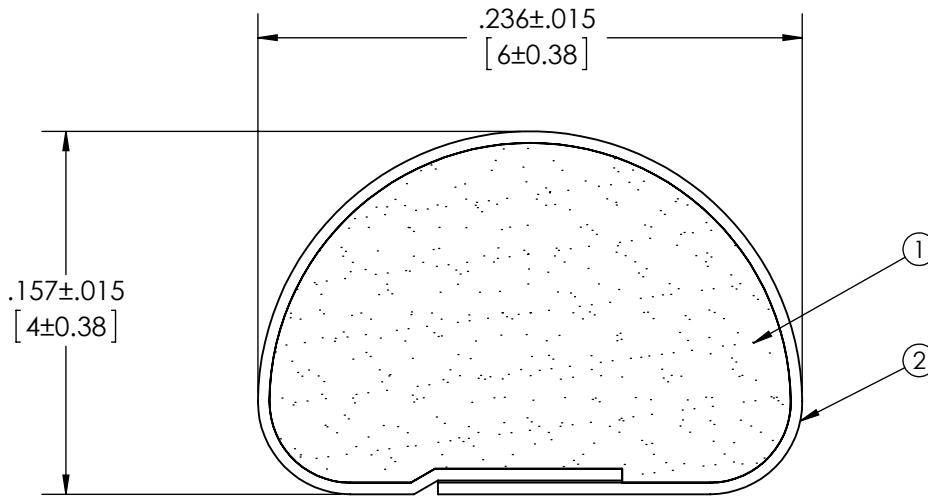
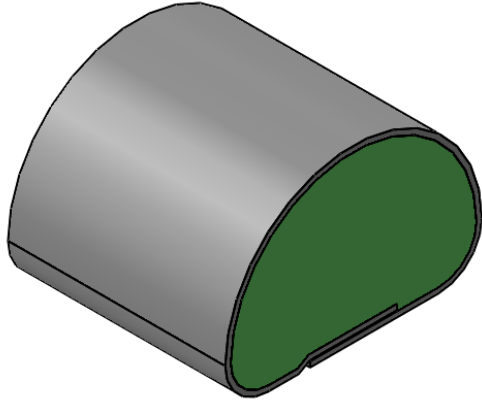
Level		Date	By
(B)	REV TO SOLIDWORKS	8/10/11	LWD
(C)			
(D)			
(E)			

ROCHESTER DIVISION PRODUCT PRINT

The information disclosed in this drawing is confidential and the property of Schlegel Electronic Materials, INC. The use, disclosure, or reproduction of this information and related know-how is prohibited without written permission from Schlegel Electronic Materials, INC.

NOTES:

- 1) REFERENCE DIMENSIONS (REF) HAVE NO TOLERANCE AND ARE FOR INFORMATIVE PURPOSES ONLY.
- 2) FOR ALL MISSING DIMENSIONS 3D CAD FILES SHOULD BE USED.
- 3) UNLESS OTHERWISE SPECIFIED INTERPRET TOLERANCES ACCORDING TO ISO 2768C.



TOLERANCES

Profile thickness:  $\pm 0.015$ " (0.38mm)  
 Profile width:  $\pm 0.020$ " (0.51mm)



SCALE 1:1

DIMS: MILLIMETERS <input checked="" type="checkbox"/> INCHES <input checked="" type="checkbox"/>		(4)		
PDR NO.:		(3)		
CUSTOMER NAME:		(2)	SEE B.O.M.	CONDUCTIVE FABRIC
CUST DWG NO.:		(1)	SEE B.O.M.	URETHANE FOAM
SIZE A	Date 8/10/2011	SHEET 1 OF 2		Material Description
SCALE: 10:1	Approved By	Item No.	RM Number	Title 4mm x 6mm D-SHAPE EMI
Cad File No. uc3e2230	Part No. EA5xxXxxxxx	Drawn By LWD	Dwg. No. uc3e2230	Rev. B

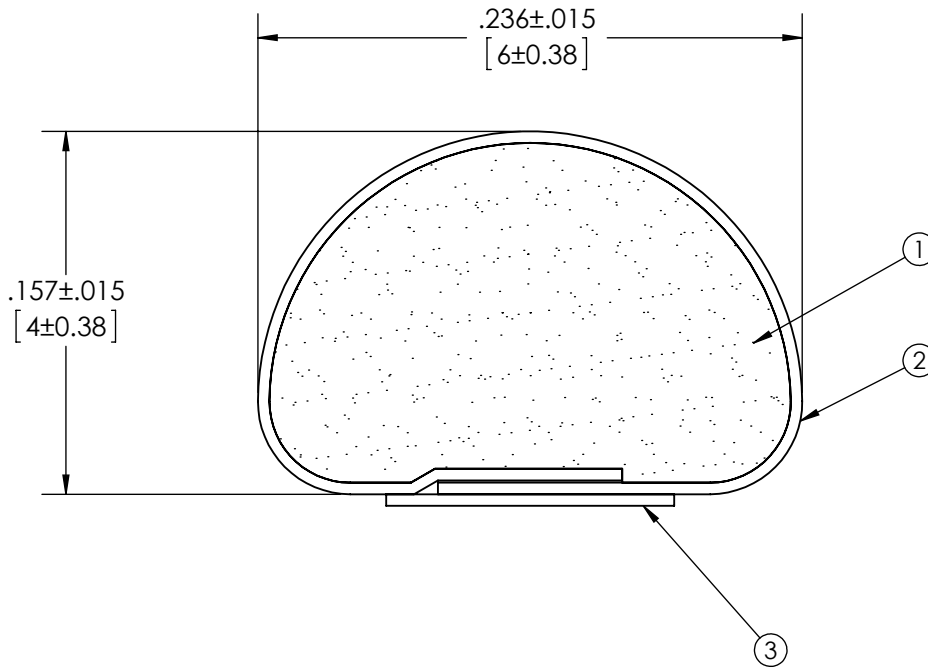
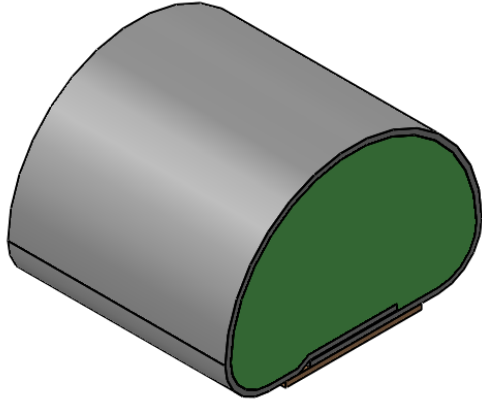
Level		Date	By
(B)	REV TO SOLIDWORKS	8/10/11	LWD
(C)			
(D)			
(E)			

ROCHESTER DIVISION PRODUCT PRINT

The information disclosed in this drawing is confidential and the property of Schlegel Electronic Materials, INC. The use, disclosure, or reproduction of this information and related know-how is prohibited without written permission from Schlegel Electronic Materials, INC.

NOTES:

- 1) REFERENCE DIMENSIONS (REF) HAVE NO TOLERANCE AND ARE FOR INFORMATIVE PURPOSES ONLY.
- 2) FOR ALL MISSING DIMENSIONS 3D CAD FILES SHOULD BE USED.
- 3) UNLESS OTHERWISE SPECIFIED INTERPRET TOLERANCES ACCORDING TO ISO 2768C.



TOLERANCES

Profile thickness:  $\pm 0.015$ " (0.38mm)  
 Profile width:  $\pm 0.020$ " (0.51mm)



DIMS: MILLIMETERS <input checked="" type="checkbox"/> INCHES <input checked="" type="checkbox"/>		(4)		
PDR NO.:		(3)	SEE B.O.M.	PSA .125" WIDE UNLESS OTHERWISE SPECIFIED
CUSTOMER NAME:		(2)	SEE B.O.M.	CONDUCTIVE FABRIC
CUST DWG NO.:		(1)	SEE B.O.M.	URETHANE FOAM
SIZE A	Date 8/10/2011	SHEET 2 OF 2		Material Description
SCALE: 10:1	Approved By	Item No.	RM Number	Title 4mm x 6mm D-SHAPE EMI
Cad File No. uc3e2230	Part No. EA8xxxxxxx	Dwg. No. uc3e2230	Rev. B	