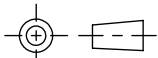
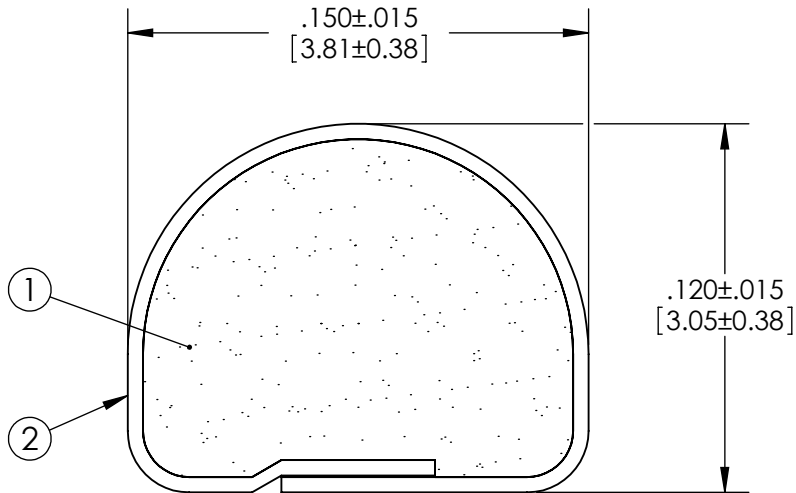
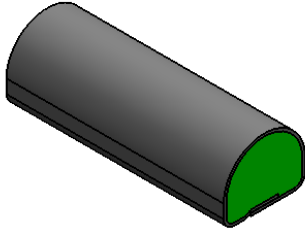


ROCHESTER DIVISION PRODUCT PRINT

The information disclosed in this drawing is confidential and the property of Schlegel Electronic Materials, INC. The use, disclosure, or reproduction of this information and related know-how is prohibited without written permission from Schlegel Electronic Materials, INC.

Revisions

Level		Date	By
(A)	ADDED PROFILE PART NUMBER	11/4/99	EL
(B)	REV P/N	12/8/99	EL
(C)	ADDED SHEET 3	3/8/00	EL
(D)	REV TAPE SIZE	10/25/00	EL
(E)	REV PER ECO 2288	6/11/03	EL
(F)	REV TO SOLIDWORKS	7/15/09	EL



TOLERANCES

Profile thickness: ± 0.015 " (0.38mm)
 Profile width: ± 0.015 " (0.38mm)



SCALE 1:1

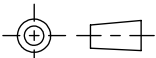
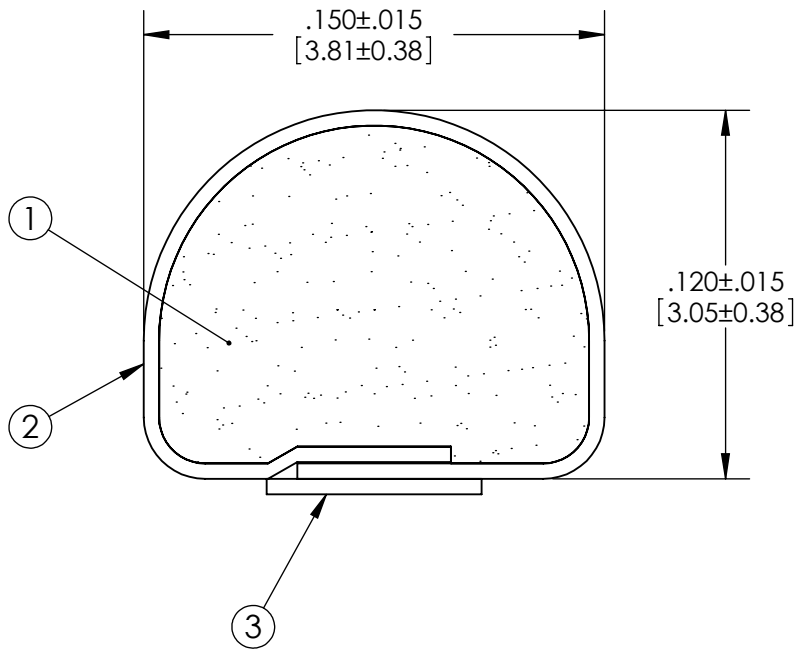
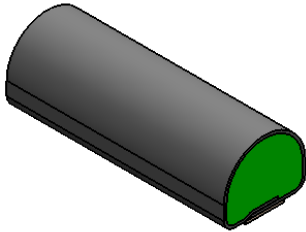
PDR NO.:	(4)		
QUOTE NO.:	(3)		
CUSTOMER NAME:	(2)	SEE B.O.M.	CONDUCTIVE FABRIC
CUST DWG NO.:	(1)	SEE B.O.M.	URETHANE FOAM
SIZE A	Date	3/8/2000	
SHEET 1 OF 3		Item No.	RM Number
SCALE: 10:1	Approved By	Drawn By: EJL	Title: 3.1mm 3.8mm D-SHAPE EMI
Cad File No. UC21741F	Part No. EA3xxXxxxxx	Dwg. No. UC3E2174	Rev. F

ROCHESTER DIVISION PRODUCT PRINT

The information disclosed in this drawing is confidential and the property of Schlegel Electronic Materials, INC. The use, disclosure, or reproduction of this information and related know-how is prohibited without written permission from Schlegel Electronic Materials, INC.

Revisions

Level		Date	By
(A)	ADDED PROFILE PART NUMBER	11/4/99	EL
(B)	REV P/N	12/8/99	EL
(C)	ADDED SHEET 3	3/8/00	EL
(D)	REV TAPE SIZE	10/25/00	EL
(E)	REV PER ECO 2288	6/11/03	EL
(F)	REV TO SOLIDWORKS	7/15/09	EL



TOLERANCES
 Profile thickness: ±.015" (0.38mm)
 Profile width: ±.015" (0.38mm)



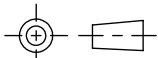
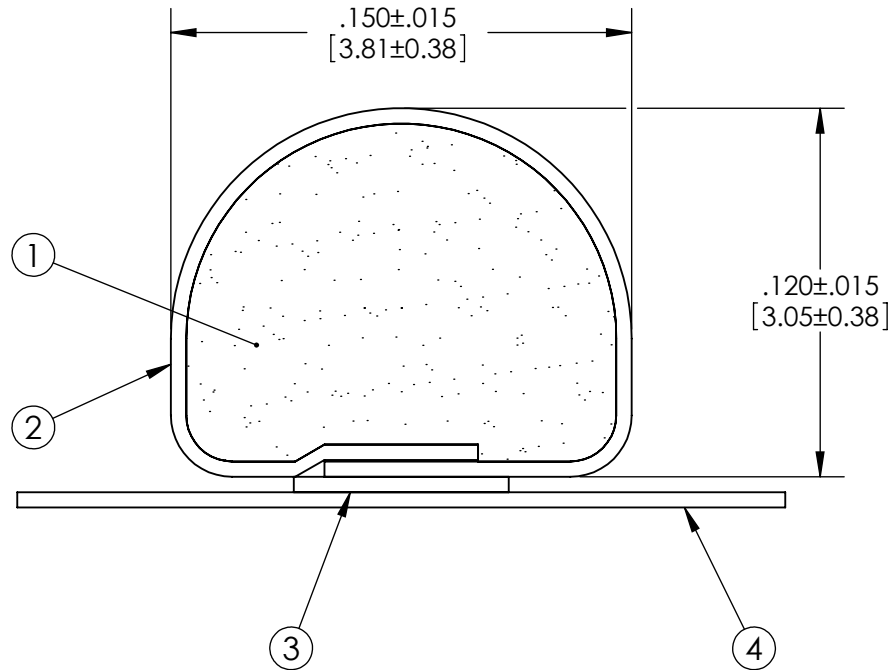
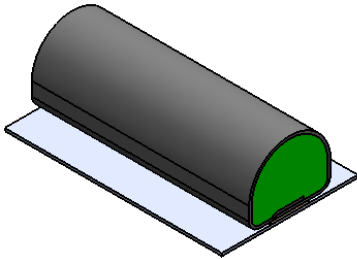
SCALE 1:1

PDR NO.:	(4)		
QUOTE NO.:	(3)	SEE B.O.M.	PSA .070" WIDE (UNLESS OTHERWISE SPECIFIED)
CUSTOMER NAME:	(2)	SEE B.O.M.	CONDUCTIVE FABRIC
CUST DWG NO.:	(1)	SEE B.O.M.	URETHANE FOAM
SIZE A	Date	3/8/2000	
SHEET 2 OF 3		Item No.	Material Description
SCALE: 10:1	Approved By	Drawn By: EJL	Title: 3.1mm 3.8mm D-SHAPE EMI
Cad File No. UC21741F	Part No. EA3xxTxxxx	Dwg. No. UC3E2174	Rev. F

ROCHESTER DIVISION PRODUCT PRINT

The information disclosed in this drawing is confidential and the property of Schlegel Electronic Materials, INC. The use, disclosure, or reproduction of this information and related know-how is prohibited without written permission from Schlegel Electronic Materials, INC.

Revisions			
Level		Date	By
(A)	ADDED PROFILE PART NUMBER	11/4/99	EL
(B)	REV P/N	12/8/99	EL
(C)	ADDED SHEET 3	3/8/00	EL
(D)	REV TAPE SIZE	10/25/00	EL
(E)	REV PER ECO 2288	6/11/03	EL
(F)	REV TO SOLIDWORKS	7/15/09	EL



TOLERANCES
 Profile thickness: ± 0.015 " (0.38mm)
 Profile width: ± 0.015 " (0.38mm)



SCALE 1:1

PDR NO.:	(4)	SEE B.O.M.	RELEASE LINER .250" WIDE (UNLESS OTHERWISE SPECIFIED)
QUOTE NO.:	(3)	SEE B.O.M.	PSA .070" WIDE (UNLESS OTHERWISE SPECIFIED)
CUSTOMER NAME:	(2)	SEE B.O.M.	CONDUCTIVE FABRIC
CUST DWG NO.:	(1)	SEE B.O.M.	URETHANE FOAM
SIZE A	Date	3/8/2000	
SHEET 3 OF 3		Item No.	RM Number
SCALE: 10:1		Approved By	Material Description
		Drawn By	EJL
		Title	3.1mm 3.8mm D-SHAPE EMI
Cad File No.	UC21741F	Part No.	EA3xxZxxxxx
		Dwg. No.	UC3E2174
			Rev. F