

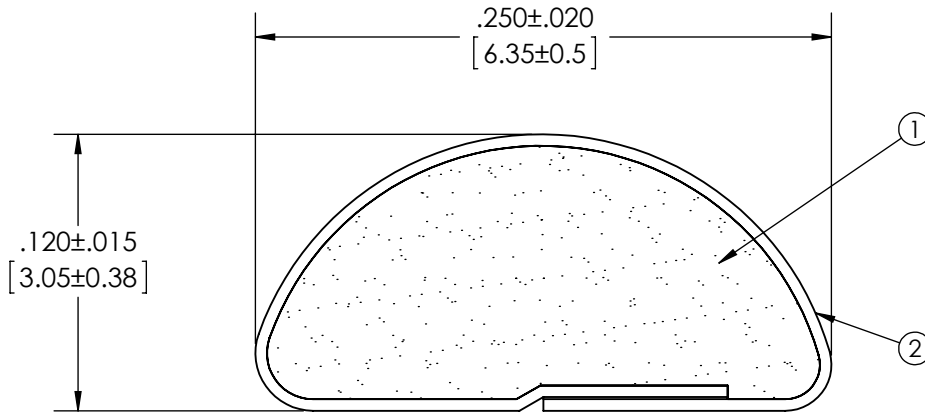
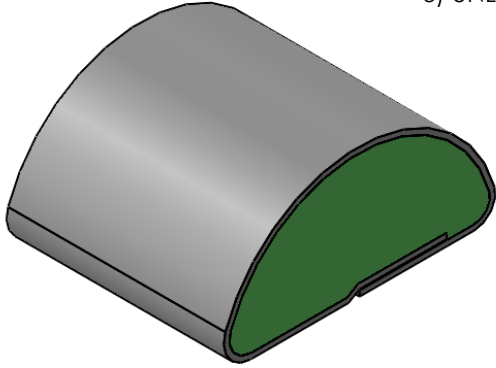
| Revisions | | | |
|-----------|-------------------|---------|-----|
| Level | | Date | By |
| (B) | REV TO SOLIDWORKS | 8/10/11 | LWD |
| (C) | | | |
| (D) | | | |
| (E) | | | |

ROCHESTER DIVISION PRODUCT PRINT

The information disclosed in this drawing is confidential and the property of Schlegel Electronic Materials, INC. The use, disclosure, or reproduction of this information and related know-how is prohibited without written permission from Schlegel Electronic Materials, INC.

NOTES:

- 1) REFERENCE DIMENSIONS (REF) HAVE NO TOLERANCE AND ARE FOR INFORMATIVE PURPOSES ONLY.
- 2) FOR ALL MISSING DIMENSIONS 3D CAD FILES SHOULD BE USED.
- 3) UNLESS OTHERWISE SPECIFIED INTERPRET TOLERANCES ACCORDING TO ISO 2768C.



TOLERANCES

Profile thickness: ± 0.015 " (0.38mm)
 Profile width: ± 0.020 " (0.51mm)



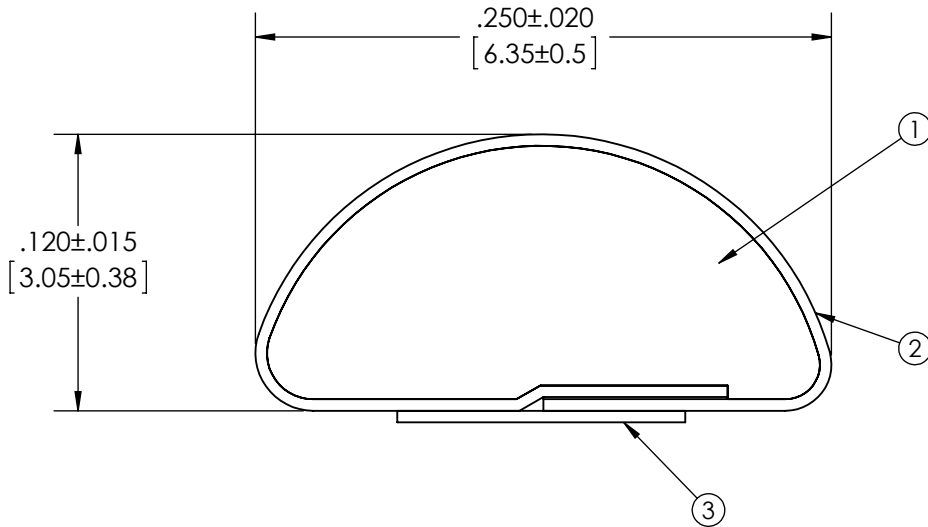
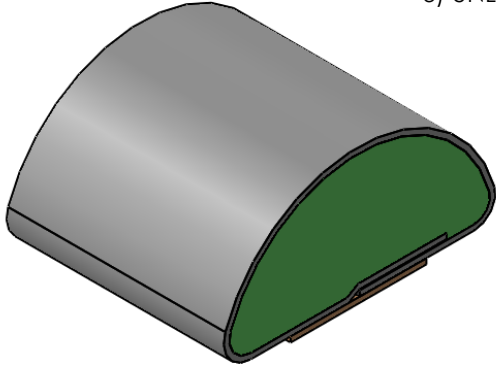
| | | | | |
|--|----------------------|-------------------|--------------|-----------------------------------|
| DIMS: MILLIMETERS <input checked="" type="checkbox"/> INCHES <input checked="" type="checkbox"/> | | (4) | | |
| PDR NO.: | | (3) | | |
| CUSTOMER NAME: | | (2) | SEE B.O.M. | CONDUCTIVE FABRIC |
| CUST DWG NO.: | | (1) | SEE B.O.M. | URETHANE FOAM |
| SIZE A | Date 8/10/2011 | Item No. | RM Number | Material Description |
| SCALE: 12:1 | | Approved By | Drawn By LWD | Title 3.05mm x 6.35mm D-SHAPE EMI |
| Cad File No. uc3e2126 | Part No. EA1xxXxxxxx | Dwg. No. uc3e2126 | Rev. B | |

| Revisions | | | |
|-----------|-------------------|---------|-----|
| Level | | Date | By |
| (B) | REV TO SOLIDWORKS | 8/10/11 | LWD |
| (C) | | | |
| (D) | | | |
| (E) | | | |

ROCHESTER DIVISION PRODUCT PRINT

The information disclosed in this drawing is confidential and the property of Schlegel Electronic Materials, INC. The use, disclosure, or reproduction of this information and related know-how is prohibited without written permission from Schlegel Electronic Materials, INC.

- NOTES:
 1) REFERENCE DIMENSIONS (REF) HAVE NO TOLERANCE AND ARE FOR INFORMATIVE PURPOSES ONLY.
 2) FOR ALL MISSING DIMENSIONS 3D CAD FILES SHOULD BE USED.
 3) UNLESS OTHERWISE SPECIFIED INTERPRET TOLERANCES ACCORDING TO ISO 2768C.



TOLERANCES

Profile thickness: $\pm .015$ " (0.38mm)
 Profile width: $\pm .020$ " (0.51mm)



| | | | | |
|--|---------------------|-------------------|-----------------------------------|---|
| DIMS: MILLIMETERS <input checked="" type="checkbox"/> INCHES <input checked="" type="checkbox"/> | | (4) | | |
| PDR NO.: | | (3) | SEE B.O.M. | PSA .125" WIDE UNLESS OTHERWISE SPECIFIED |
| CUSTOMER NAME: | | (2) | SEE B.O.M. | CONDUCTIVE FABRIC |
| CUST DWG NO.: | | (1) | SEE B.O.M. | URETHANE FOAM |
| SIZE | Date 8/10/2011 | Item No. | RM Number | Material Description |
| A | SHEET 2 OF 2 | | | |
| SCALE: 12:1 | Approved By | Drawn By LWD | Title 3.05mm x 6.35mm D-SHAPE EMI | |
| Cad File No. uc3e2126 | Part No. EA1xxxxxxx | Dwg. No. uc3e2126 | Rev. B | |