

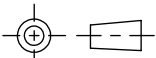
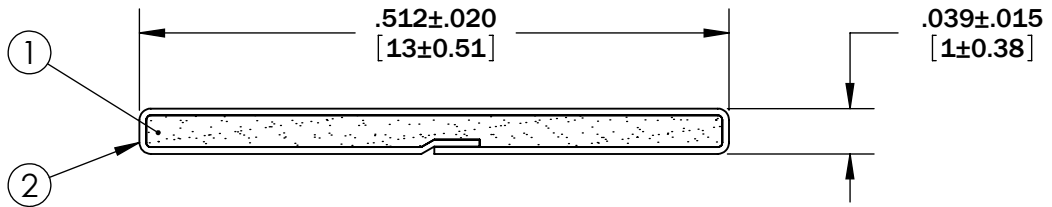
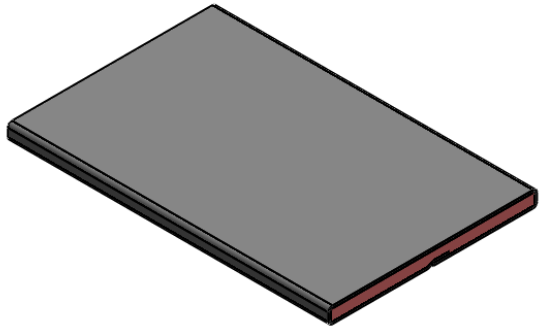


Revisions

Level		Date	By
Ⓒ	REV PER ECO 2322	7/28/04	EJL
Ⓓ	UPDATE SHEET FORMAT	5/19/09	BEP
Ⓔ			
Ⓕ			

ROCHESTER DIVISION PRODUCT PRINT

The information disclosed in this drawing is confidential and the property of Schlegel Electronic Materials, INC. The use, disclosure, or reproduction of this information and related know-how is prohibited without written permission from Schlegel Electronic Materials, INC.



TOLERANCES
 Profile thickness: $\pm .015$ " (0.38mm)
 Profile width: $\pm .020$ " (0.51mm)

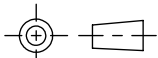
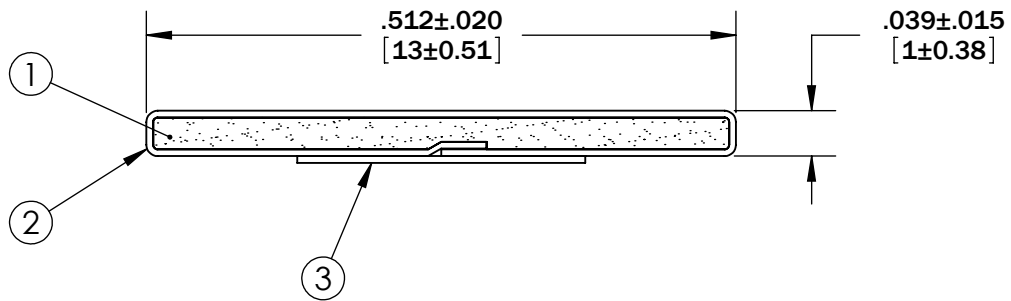
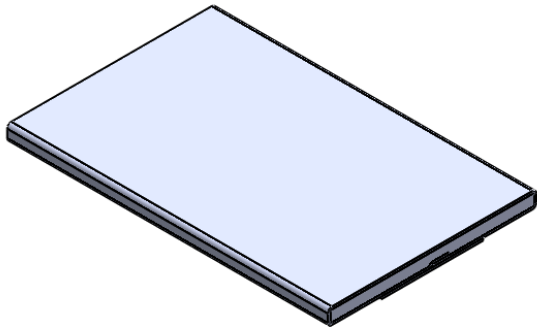
SCALE 1:1

PDR NO.:	④		
QUOTE NO.:	③		
CUSTOMER NAME:	②	SEE B.O.M.	CONDUCTIVE FABRIC
CUST DWG NO.:	①	SEE B.O.M.	URETHANE FOAM
SIZE A	Date	4/12/1999	
SHEET 1 OF 2		Item No.	RM Number
SCALE: 6:1	Approved By	Drawn By EJL	Title 1mm x 13mm EMI
Cad File No. UP20291D	Part No. E99xxXXXXXX	Dwg. No. up3e2029	Rev. D

Level		Date	By
Ⓒ	REV PER ECO 2322	7/28/04	EJL
Ⓓ	UPDATE SHEET FORMAT	5/19/09	BEP
Ⓔ			
Ⓕ			

ROCHESTER DIVISION PRODUCT PRINT

The information disclosed in this drawing is confidential and the property of Schlegel Electronic Materials, INC. The use, disclosure, or reproduction of this information and related know-how is prohibited without written permission from Schlegel Electronic Materials, INC.



TOLERANCES
 Profile thickness: ± 0.015 " (0.38mm)
 Profile width: ± 0.020 " (0.51mm)

SCALE 1:1

PDR NO.:	④		
QUOTE NO.:	③	SEE B.O.M.	PSA .250" WIDE (UNLESS OTHERWISE SPECIFIED)
CUSTOMER NAME:	②	SEE B.O.M.	CONDUCTIVE FABRIC
CUST DWG NO.:	①	SEE B.O.M.	URETHANE FOAM
SIZE A	Date	4/12/1999	
SHEET 2 OF 2		Item No.	RM Number
SCALE: 6:1		Approved By	Material Description
		Drawn By	EJL
		Title	1mm x 13mm EMI
Cad File No.	UP20291D	Part No.	E99xxTxxxxx
		Dwg. No.	up3e2029
			Rev. D