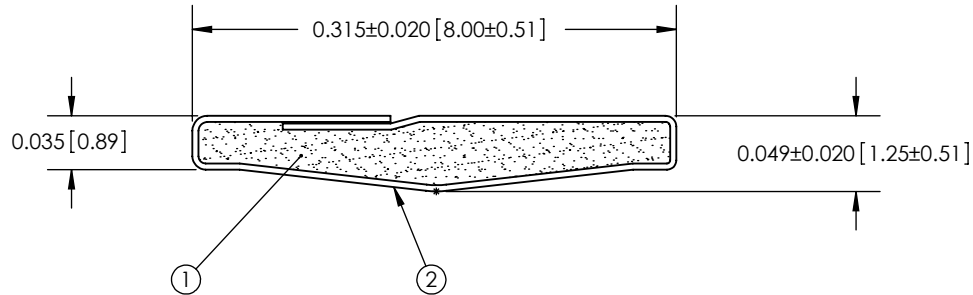


ROCHESTER DIVISION PRODUCT PRINT

The information disclosed in this drawing is confidential and the property of Schlegel Electronic Materials, INC. The use, disclosure, or reproduction of this information and related know-how is prohibited without written permission from Schlegel Electronic Materials, INC.

Revisions			
Level		Date	By
(A)	ISSUED NEW DWG NUMBER	3/17/99	EL
(B)	REV PER CUSTOMER REQ.	3/19/99	EL
(C)	MINOR GEOMETRY CHANGE	3/23/99	EL
(D)	REV PER CUSTOMER REQUEST	3/25/99	EL
(E)	REV ADHESIVE	3/31/99	EL
(F)	REV GEOMETRY	4/8/99	EL
(G)	1.70 WAS 1.78	5/7/99	EL
(H)	ADDED PROFILE NUMBER	6/2/99	EL
(J)	.049 WAS .067	6/14/99	EL
(K)	REMOVED INSERT, REV TAPE LOCATION	7/21/99	EL
(L)	ADDED SHEET 2	7/27/99	EL
(M)	REV TAPE ON SHEET 2	8/9/99	EL
(N)	REV SHEET 2	6/1/01	EL
(P)	REV PER ECO 2288	6/5/03	EL
(R)	ADDED SHEET 4 PER ECO 0022	8/29/08	BEP



TOLERANCES

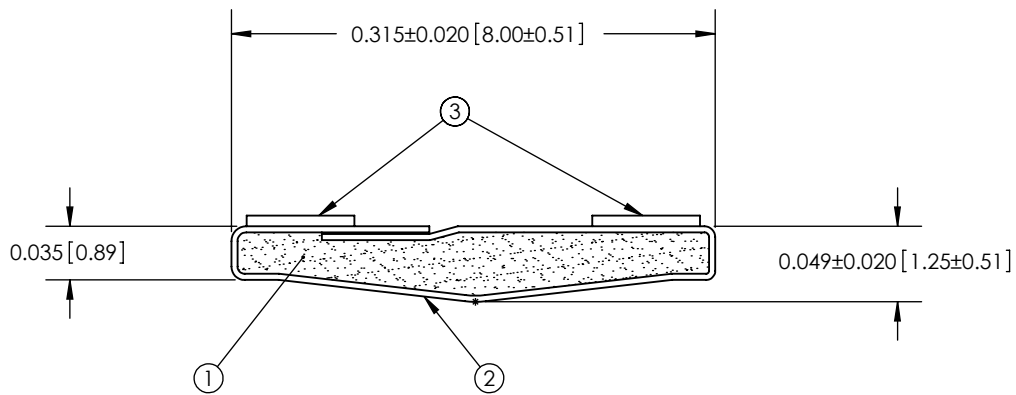
- Profile thickness:  $\pm 0.15"$  (0.38mm)
- Profile width:  $\pm 0.30"$  (0.76mm)
- Length: 1.00"-6.00" =  $\pm 0.30"$  (0.76mm)
- 6.00"-12.00" =  $\pm 0.40"$  (1.0mm)
- Hole diameter: .062"-.500" =  $\pm 0.10"$  (0.25mm)
- .501"-1.00" =  $\pm 0.15"$  (0.38mm)
- Die cut edge to feature : .062"-.500" =  $\pm 0.15"$  (0.38mm)
- .501"-1.00" =  $\pm 0.30"$  (0.76mm)

PDR NO.:			
QUOTE NO.:	(3)		
CUSTOMER NAME:	(2)	SEE B.O.M.	CONDUCTIVE FOAM
CUST DWG NO.:	(1)	SEE B.O.M.	URETHANE FOAM
SIZE A	Date 3/15/2008	Item No.	RM Number
SHEET 1 OF 4		Material Description	
SCALE: 8:1	Approved By	Drawn By E.J.L	Title 1.25mm x 8.0mm EMI
Cad File No. UC20021R	Part No. E97xxXxxxxx	Dwg. No. UC3E2002	Rev. R

ROCHESTER DIVISION PRODUCT PRINT

The information disclosed in this drawing is confidential and the property of Schlegel Electronic Materials, INC. The use, disclosure, or reproduction of this information and related know-how is prohibited without written permission from Schlegel Electronic Materials, INC.

Revisions			
Level		Date	By
(L)	ADDED SHEET 2	7/28/99	EL
(M)	REV TAPE ON SHEET 2	8/9/99	EL
(N)	REV SHEET 2	6/1/01	EL
(P)	REV PER ECO 2288	6/5/03	EL
(R)	ADDED SHEET 4 PER ECO 0022	8/29/08	BEP



TOLERANCES

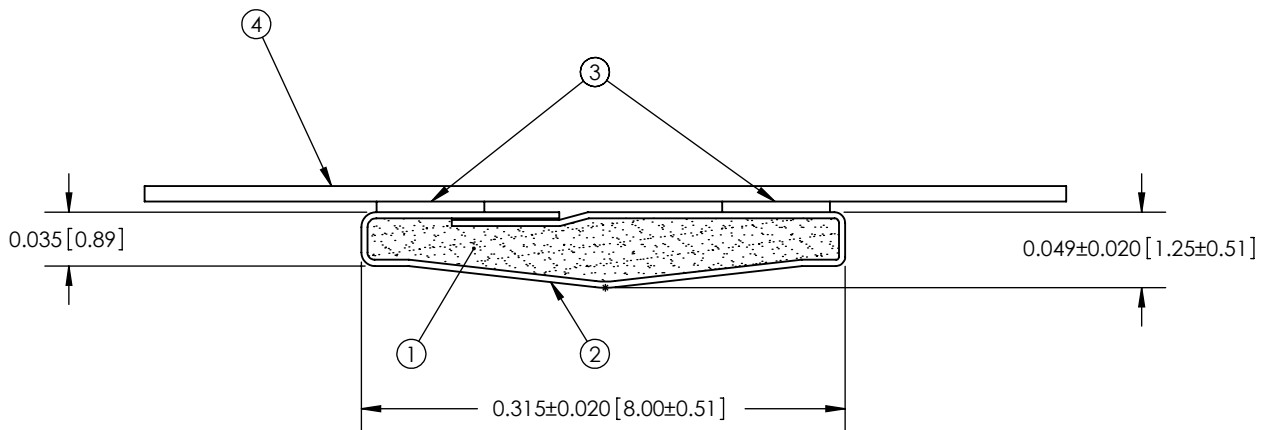
- Profile thickness:  $\pm 0.015$ " (0.38mm)
- Profile width:  $\pm 0.030$ " (0.76mm)
- Length: 1.00"-6.00" =  $\pm 0.030$ " (0.76mm)
- 6.00"-12.00" =  $\pm 0.040$ " (1.0mm)
- Hole diameter: .062"-.500" =  $\pm 0.010$ " (0.25mm)
- .501"-1.00" =  $\pm 0.015$ " (0.38mm)
- Die cut edge to feature : .062"-.500" =  $\pm 0.015$ " (0.38mm)
- .501"-1.00" =  $\pm 0.030$ " (0.76mm)

PDR NO.:			
QUOTE NO.:	(3)	SEE B.O.M.	PSA .070" WIDE UNLESS OTHERWISE SPECIFIED
CUSTOMER NAME:	(2)	SEE B.O.M.	CONDUCTIVE FOAM
CUST DWG NO.:	(1)	SEE B.O.M.	URETHANE FOAM
SIZE	Date 3/15/2008		
<b>A</b>	SHEET 2 OF 4	Item No.	Material Description
SCALE: 8:1	Approved By	RM Number	Title 1.25mm x 8.0mm EMI
Cad File No. UC20021R	Part No. E97xx2Txxxx	Drawn By EJM	Rev. R
		Dwg. No. UC3E2002	

Level		Date	By
(P)	REV PER ECO 2288	6/5/03	EL
(R)	ADDED SHEET 4 PER ECO 0022	8/29/08	BEP
(S)			
(T)			

ROCHESTER DIVISION PRODUCT PRINT

The information disclosed in this drawing is confidential and the property of Schlegel Electronic Materials, INC. The use, disclosure, or reproduction of this information and related know-how is prohibited without written permission from Schlegel Electronic Materials, INC.



TOLERANCES

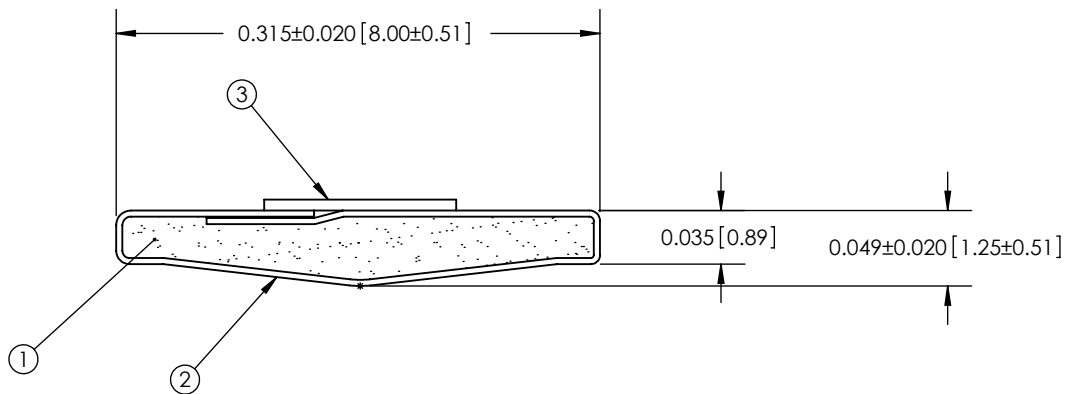
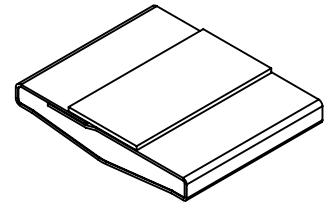
- Profile thickness:  $\pm 0.015$ " (0.38mm)
- Profile width:  $\pm 0.030$ " (0.76mm)
- Length: 1.00"-6.00" =  $\pm 0.030$ " (0.76mm)
- 6.00"-12.00" =  $\pm 0.040$ " (1.0mm)
- Hole diameter: .062"-.500" =  $\pm 0.010$ " (0.25mm)
- .501"-1.00" =  $\pm 0.015$ " (0.38mm)
- Die cut edge to feature : .062"-.500" =  $\pm 0.015$ " (0.38mm)
- .501"-1.00" =  $\pm 0.030$ " (0.76mm)

PDR NO.:	(4)	SEE B.O.M.	RELEASE LINER .600" UNLESS OTHERWISE SPECIFIED
QUOTE NO.:	(3)	SEE B.O.M.	PSA .070" WIDE UNLESS OTHERWISE SPECIFIED
CUSTOMER NAME:	(2)	SEE B.O.M.	CONDUCTIVE FOAM
CUST DWG NO.:	(1)	SEE B.O.M.	URETHANE FOAM
SIZE A	Date 3/15/2008	Item No.	RM Number
SHEET 3 OF 4		Material Description	
SCALE: 8:1	Approved By	Drawn By E.JL	Title 1.25mm x 8.0mm EMI
Cad File No. UC20021R	Part No. E97xx2Zxxxx	Dwg. No. UC3E2002	Rev. R

Level		Date	By
(R)	ADDED SHEET 4 PER ECO 0022	8/29/08	BEP
(S)			
(T)			
(U)			

ROCHESTER DIVISION PRODUCT PRINT

The information disclosed in this drawing is confidential and the property of Schlegel Electronic Materials, INC. The use, disclosure, or reproduction of this information and related know-how is prohibited without written permission from Schlegel Electronic Materials, INC.



TOLERANCES

- Profile thickness:  $\pm 0.15"$  (0.38mm)
- Profile width:  $\pm 0.30"$  (0.76mm)
- Length: 1.00"-6.00" =  $\pm 0.30"$  (0.76mm)
- 6.00"-12.00" =  $\pm 0.40"$  (1.0mm)
- Hole diameter: .062"-.500" =  $\pm 0.10"$  (0.25mm)
- .501"-1.00" =  $\pm 0.15"$  (0.38mm)
- Die cut edge to feature : .062"-.500" =  $\pm 0.15"$  (0.38mm)
- .501"-1.00" =  $\pm 0.30"$  (0.76mm)

PDR NO.:			
QUOTE NO.:	(3)	SEE B.O.M.	PSA .125" WIDE
CUSTOMER NAME:	(2)	SEE B.O.M.	CONDUCTIVE FABRIC
CUST DWG NO.:	(1)	SEE B.O.M.	URETHANE FOAM
SIZE	Date 8/27/2008		
<b>A</b>	SHEET 4 OF 4	Item No.	Material Description
SCALE: 8:1	Approved By	RM Number	Title 1.25mm x 8.0mm EMI
Cad File No. UC20021R	By	Drawn By BEP	Rev. R
Part No. E97xxTxxxxx		Dwg. No. UC3E2002	