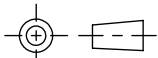
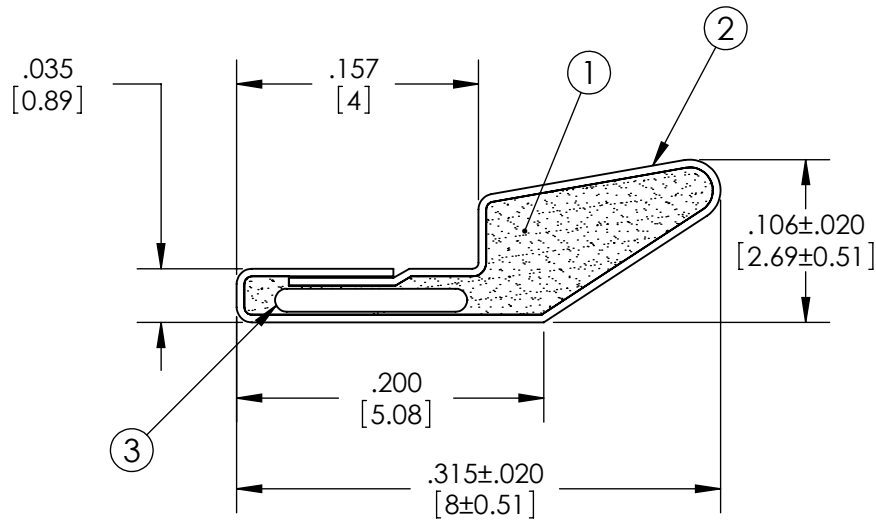
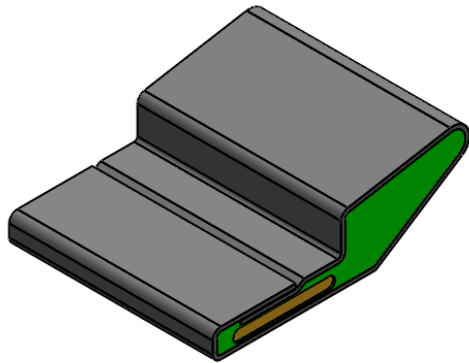


Level		Date	By
(A)	REV TO SOLIDWORKS	10/5/09	BEP
(B)			
(C)			
(D)			

ROCHESTER DIVISION PRODUCT PRINT

The information disclosed in this drawing is confidential and the property of Schlegel Electronic Materials, INC. The use, disclosure, or reproduction of this information and related know-how is prohibited without written permission from Schlegel Electronic Materials, INC.



TOLERANCES
 Profile thickness: $\pm .020$ " (0.51mm)
 Profile width: $\pm .020$ " (0.51mm)



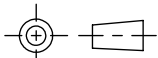
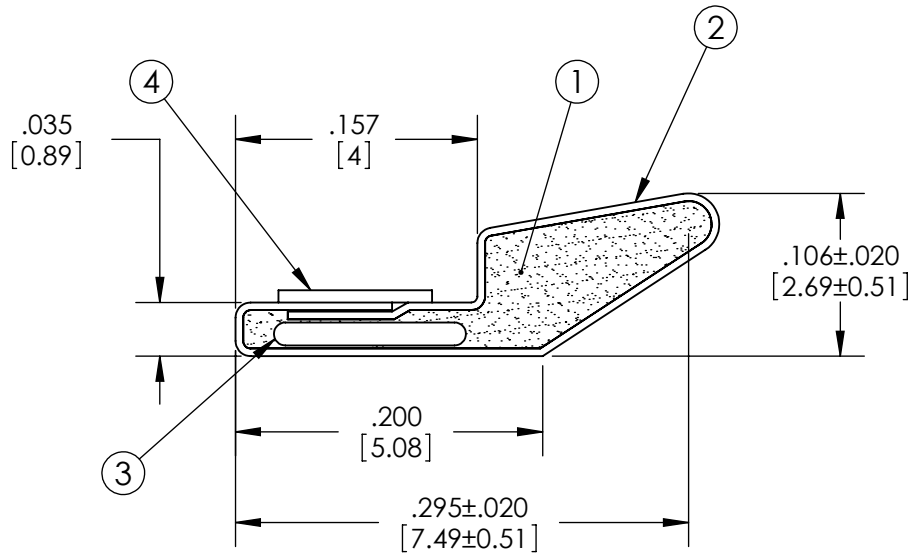
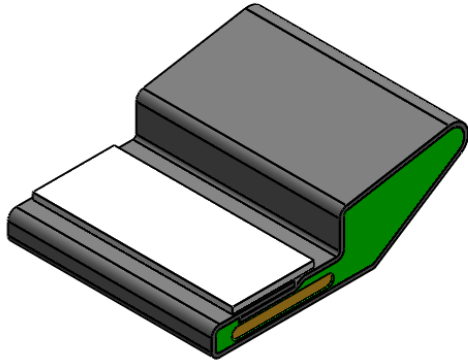
SCALE 1:1

PDR NO.:	(4)		
QUOTE NO.:	(3)	SEE B.O.M.	POLYCARBONATE INSERT .125" WIDE
CUSTOMER NAME:	(2)	SEE B.O.M.	CONDUCTIVE FABRIC
CUST DWG NO.:	(1)	SEE B.O.M.	URETHANE FOAM
SIZE A	Date	3/31/99	
SHEET 1 OF 2		Item No.	Material Description
SCALE: 8:1	Approved By	Drawn By EL	Title 2.7mm x 8mm KNIFE EDGE EMI
Cad File No. UP05571A	Part No. E96xxXxxxxx	Dwg. No. UP3E0557	Rev. A

Level		Date	By
(A)	REV TO SOLIDWORKS	10/5/09	BEP
(B)			
(C)			
(D)			

ROCHESTER DIVISION PRODUCT PRINT

The information disclosed in this drawing is confidential and the property of Schlegel Electronic Materials, INC. The use, disclosure, or reproduction of this information and related know-how is prohibited without written permission from Schlegel Electronic Materials, INC.



TOLERANCES
 Profile thickness: ± 0.020 " (0.51mm)
 Profile width: ± 0.020 " (0.51mm)



SCALE 1:1

PDR NO.:	(4)	SEE B.O.M.	PSA .100" WIDE (UNLESS OTHERWISE SPECIFIED)
QUOTE NO.:	(3)	SEE B.O.M.	POLYCARBONATE INSERT .125" WIDE
CUSTOMER NAME:	(2)	SEE B.O.M.	CONDUCTIVE FABRIC
CUST DWG NO.:	(1)	SEE B.O.M.	URETHANE FOAM
SIZE A	Date	3/31/99	
SHEET 2 OF 2		Item No.	RM Number
SCALE: 8:1		Approved By	Material Description
		Drawn By EL	Title 2.7mm x 8mm KNIFE EDGE EMI
Cad File No. UP05571A	Part No. E96xxTxxxxx	Dwg. No. UP3E0557	Rev. A