

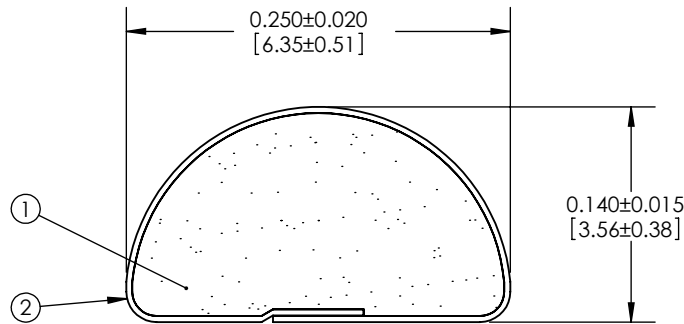
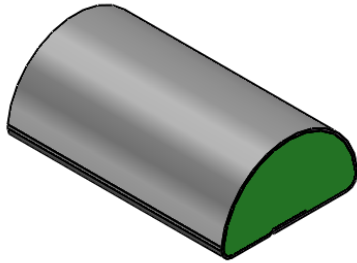


ROCHESTER DIVISION PRODUCT PRINT

The information disclosed in this drawing is confidential and the property of Schlegel Electronic Materials, INC. The use, disclosure, or reproduction of this information and related know-how is prohibited without written permission from Schlegel Electronic Materials, INC.

Revisions

Level		Date	By
○	RELEASE	10/27/98	EL
Ⓓ	REV PER ECO 2056	10/27/98	EL
Ⓔ	REV PER ECO 2164	6/13/00	MJD
Ⓕ	REV PER ECO 2288	6/19/03	EL
Ⓖ	UPDATE SHEET FORMAT	3/2/09	BEP



TOLERANCES

Profile thickness: $\pm 0.015"$ (0.38mm)

Profile width: $\pm 0.020"$ (0.51mm)



SCALE 1:1

PDR NO.:			
QUOTE NO.:	③		
CUSTOMER NAME:	②	SEE B.O.M.	CONDUCTIVE ABRIC
CUST DWG NO.:	①	SEE B.O.M.	URETHANE FOAM
SIZE A	Date 10/27/1998	Item No.	RM Number
SHEET 1 OF 3		Material Description	
SCALE: 8:1	Approved By	Drawn By EJL	Title 3.6mm x 6.4mm D-SHAPE EMI
Cad File No. UP03541G	Part No. E90xxXxxxxx	Dwg. No. UP3E0354	Rev. G

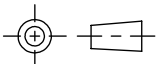
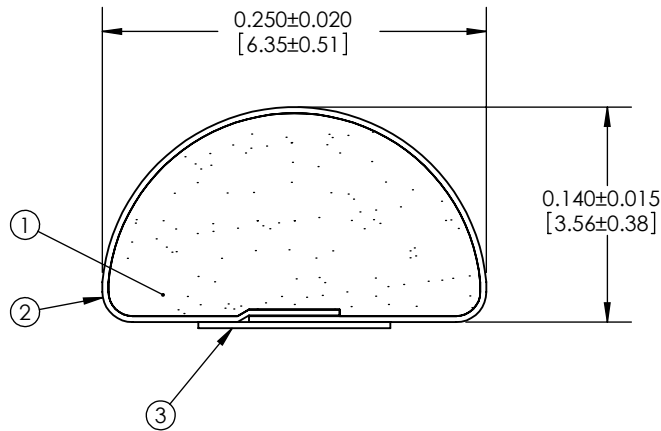
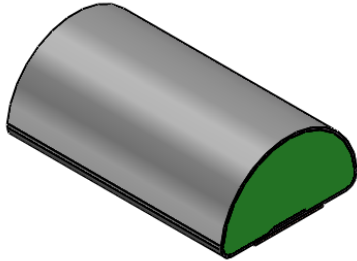


Revisions

Level		Date	By
○	RELEASE	10/27/98	EL
Ⓓ	REV PER ECO 2056	10/27/98	EL
Ⓔ	REV PER ECO 2164	6/13/00	MJD
Ⓕ	REV PER ECO 2288	6/19/03	EL
Ⓖ	UPDATE SHEET FORMAT	3/2/09	BEP

ROCHESTER DIVISION PRODUCT PRINT

The information disclosed in this drawing is confidential and the property of Schlegel Electronic Materials, INC. The use, disclosure, or reproduction of this information and related know-how is prohibited without written permission from Schlegel Electronic Materials, INC.



TOLERANCES
 Profile thickness: $\pm 0.015"$ (0.38mm)
 Profile width: $\pm 0.020"$ (0.51mm)

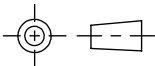
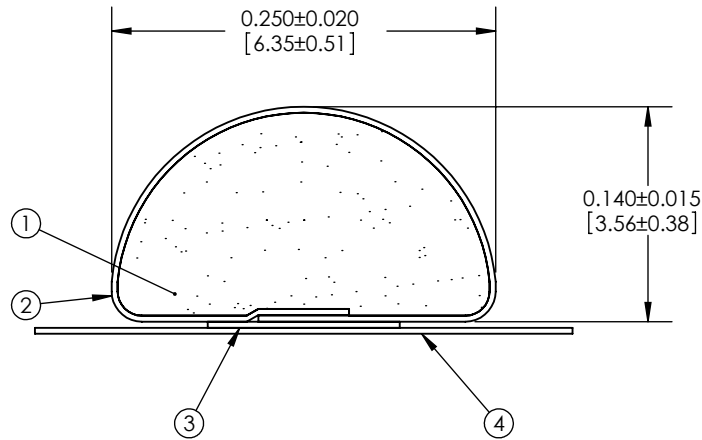
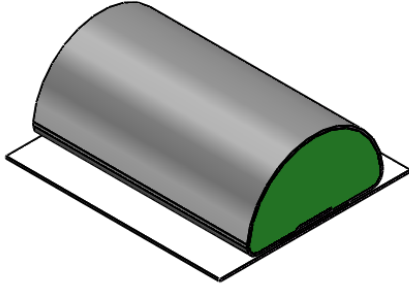
SCALE 1:1

PDR NO.:			
QUOTE NO.:	③	SEE B.O.M.	PSA .125" WIDE (UNLESS OTHERWISE SPECIFIED)
CUSTOMER NAME:	②	SEE B.O.M.	CONDUCTIVE ABRIC
CUST DWG NO.:	①	SEE B.O.M.	URETHANE FOAM
SIZE A	Date 10/27/1998	Item No.	RM Number
SHEET 2 OF 3		Material Description	
SCALE: 8:1	Approved By	Drawn By EJJ	Title 3.6mm x 6.4mm D-SHAPE EMI
Cad File No. UP03541G	Part No. E90xxTxxxxx	Dwg. No. UP3E0354	Rev. G

Level		Date	By
○	RELEASE	10/27/98	EL
Ⓓ	REV PER ECO 2056	10/27/98	EL
Ⓔ	REV PER ECO 2164	6/13/00	MJD
Ⓕ	REV PER ECO 2288	6/19/03	EL
Ⓖ	UPDATE SHEET FORMAT	3/2/09	BEP

ROCHESTER DIVISION PRODUCT PRINT

The information disclosed in this drawing is confidential and the property of Schlegel Electronic Materials, INC. The use, disclosure, or reproduction of this information and related know-how is prohibited without written permission from Schlegel Electronic Materials, INC.



TOLERANCES
 Profile thickness: ±.015" (0.38mm)
 Profile width: ±.020" (0.51mm)



SCALE 1:1

PDR NO.:	④	SEE B.O.M.	RELEASE LINER .350" WIDE (UNLESS OTHERWISE SPECIFIED)
QUOTE NO.:	③	SEE B.O.M.	PSA .125" WIDE (UNLESS OTHERWISE SPECIFIED)
CUSTOMER NAME:	②	SEE B.O.M.	CONDUCTIVE ABRIC
CUST DWG NO.:	①	SEE B.O.M.	URETHANE FOAM
SIZE A	Date	10/27/1998	
SHEET 3 OF 3		Item No.	RM Number
SCALE: 8:1		Approved By	Drawn By EJL
Title		3.6mm x 6.4mm D-SHAPE EMI	
Cad File No.	UP03541G	Part No.	E90xxZxxxxx
Dwg. No.		UP3E0354	
Rev.			G