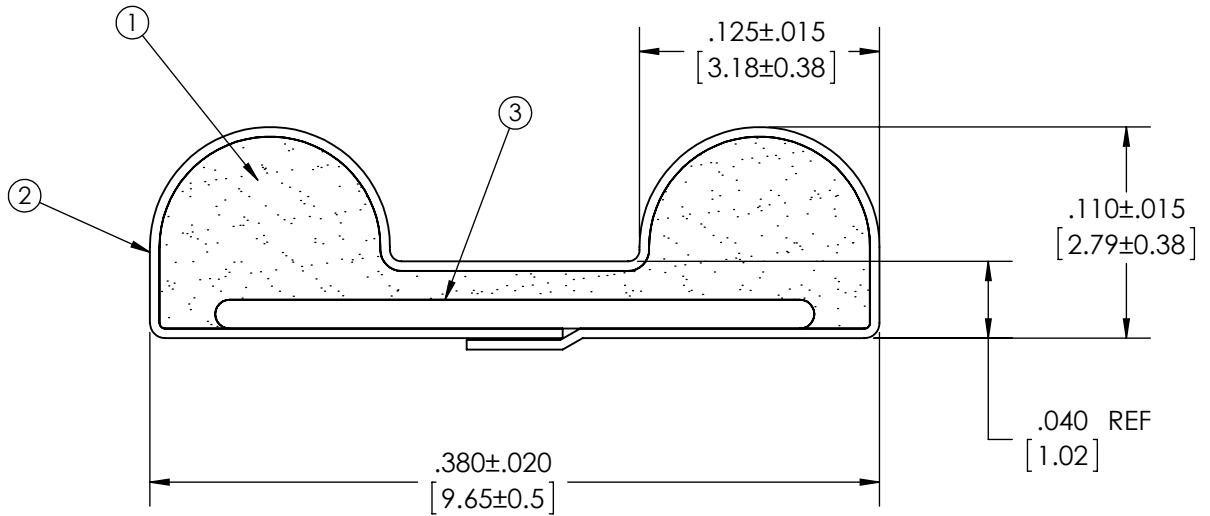
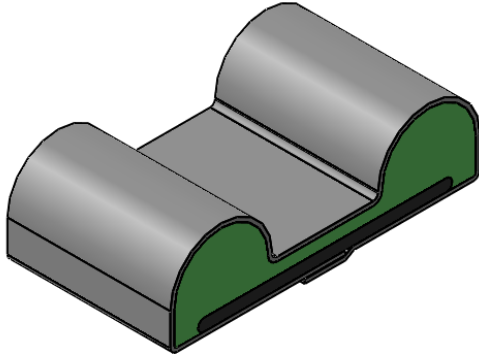


Level		Date	By
(B)	REV TO SOLIDWORKS	8/18/11	LWD
(C)			
(D)			
(E)			

ROCHESTER DIVISION PRODUCT PRINT

The information disclosed in this drawing is confidential and the property of Schlegel Electronic Materials, INC. The use, disclosure, or reproduction of this information and related know-how is prohibited without written permission from Schlegel Electronic Materials, INC.

- NOTES:
 1) REFERENCE DIMENSIONS (REF) HAVE NO TOLERANCE AND ARE FOR INFORMATIVE PURPOSES ONLY.
 2) FOR ALL MISSING DIMENSIONS 3D CAD FILES SHOULD BE USED.
 3) UNLESS OTHERWISE SPECIFIED INTERPRET TOLERANCES ACCORDING TO ISO 2768C.



TOLERANCES

Profile thickness: $\pm .015$ " (0.38mm)
 Profile width: $\pm .020$ " (0.51mm)



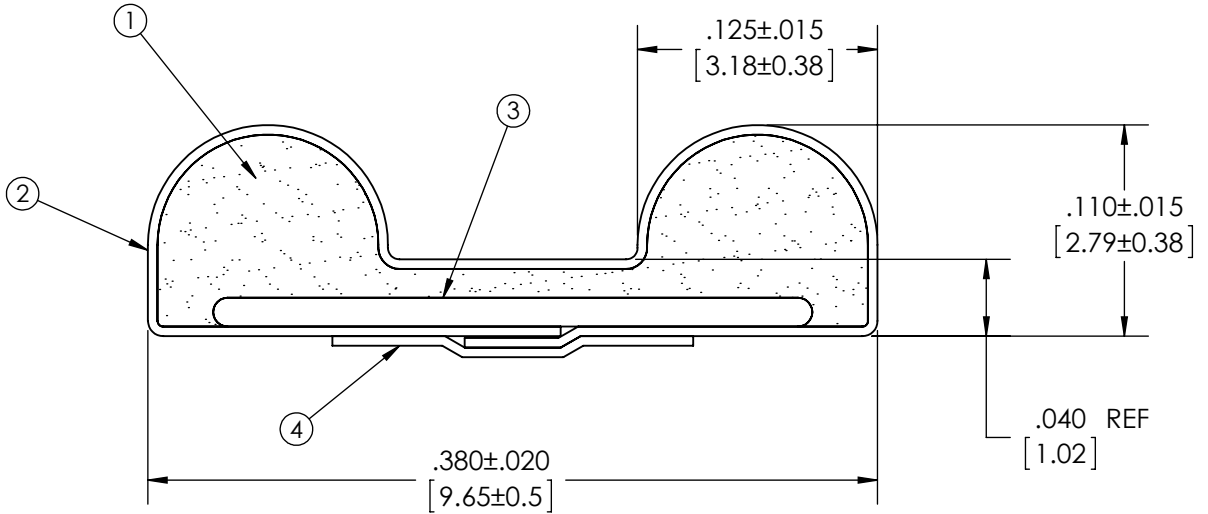
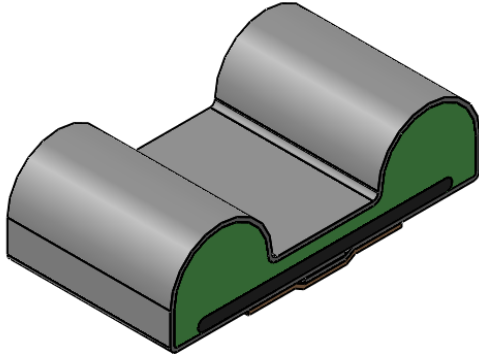
DIMS: MILLIMETERS <input checked="" type="checkbox"/> INCHES <input checked="" type="checkbox"/>		(4)		
PDR NO.:		(3)	M3457-031-7	POLYCARBONATE INSERT .312" WIDE
CUSTOMER NAME:		(2)	SEE B.O.M.	CONDUCTIVE FABRIC
CUST DWG NO.:		(1)	SEE B.O.M.	URETHANE FOAM
SIZE	Date	Item No.		Material Description
A	8/10/2011			
SHEET 1 OF 2		RM Number		
SCALE: 10:1	Approved By	Drawn By LWD		Title 2.79MM X 9.65MM EMI
Cad File No. UP3E1693	Part No. E87xxXxxxxx	Dwg. No. up3e1693		Rev. B

Revisions			
Level		Date	By
(B)	REV TO SOLIDWORKS	8/18/11	LWD
(C)			
(D)			
(E)			

ROCHESTER DIVISION PRODUCT PRINT

The information disclosed in this drawing is confidential and the property of Schlegel Electronic Materials, INC. The use, disclosure, or reproduction of this information and related know-how is prohibited without written permission from Schlegel Electronic Materials, INC.

- NOTES:
 1) REFERENCE DIMENSIONS (REF) HAVE NO TOLERANCE AND ARE FOR INFORMATIVE PURPOSES ONLY.
 2) FOR ALL MISSING DIMENSIONS 3D CAD FILES SHOULD BE USED.
 3) UNLESS OTHERWISE SPECIFIED INTERPRET TOLERANCES ACCORDING TO ISO 2768C.



TOLERANCES

Profile thickness: ±.015" (0.38mm)
 Profile width: ±.020" (0.51mm)



DIMS: MILLIMETERS <input checked="" type="checkbox"/> INCHES <input checked="" type="checkbox"/>		(4)	SEE B.O.M.	PRESSURE SENSITIVE ADHESIVE .188" WIDE
PDR NO.:		(3)	M3457-031-7	POLYCARBONATE INSERT .312" WIDE
CUSTOMER NAME:		(2)	SEE B.O.M.	CONDUCTIVE FABRIC
CUST DWG NO.:		(1)	SEE B.O.M.	URETHANE FOAM
SIZE A	Date 8/10/2011	Item No.	RM Number	Material Description
SHEET 2 OF 2				
SCALE: 10:1	Approved By	Drawn By LWD		Title 2.79MM X 9.65MM EMI
Cad File No. UP3E1693	Part No. E87xxxxxxx	Dwg. No. up3e1693	Rev. B	