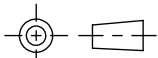
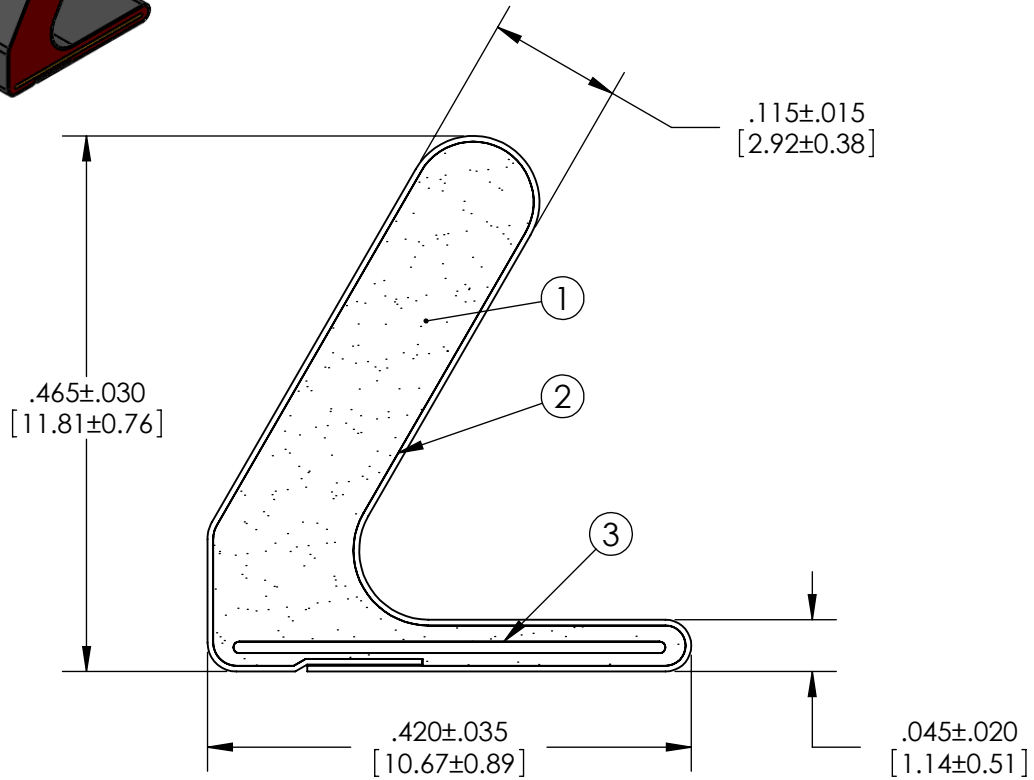
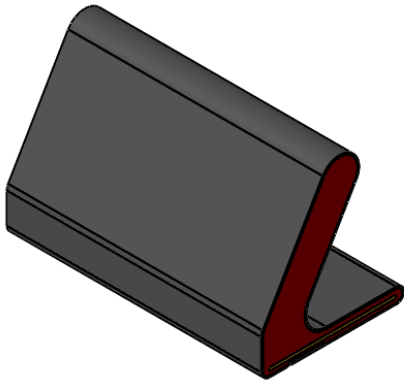


Level		Date	By
(A)	REV PER ECO 2288	5/30/03	EL
(B)	UPDATE SHEET FORMAT	6/19/09	BEP
(C)			
(D)			

ROCHESTER DIVISION PRODUCT PRINT

The information disclosed in this drawing is confidential and the property of Schlegel Electronic Materials, INC. The use, disclosure, or reproduction of this information and related know-how is prohibited without written permission from Schlegel Electronic Materials, INC.



TOLERANCES
 Profile thickness: $\pm .030$ " (0.76mm)
 Profile width: $\pm .035$ " (0.88mm)



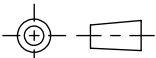
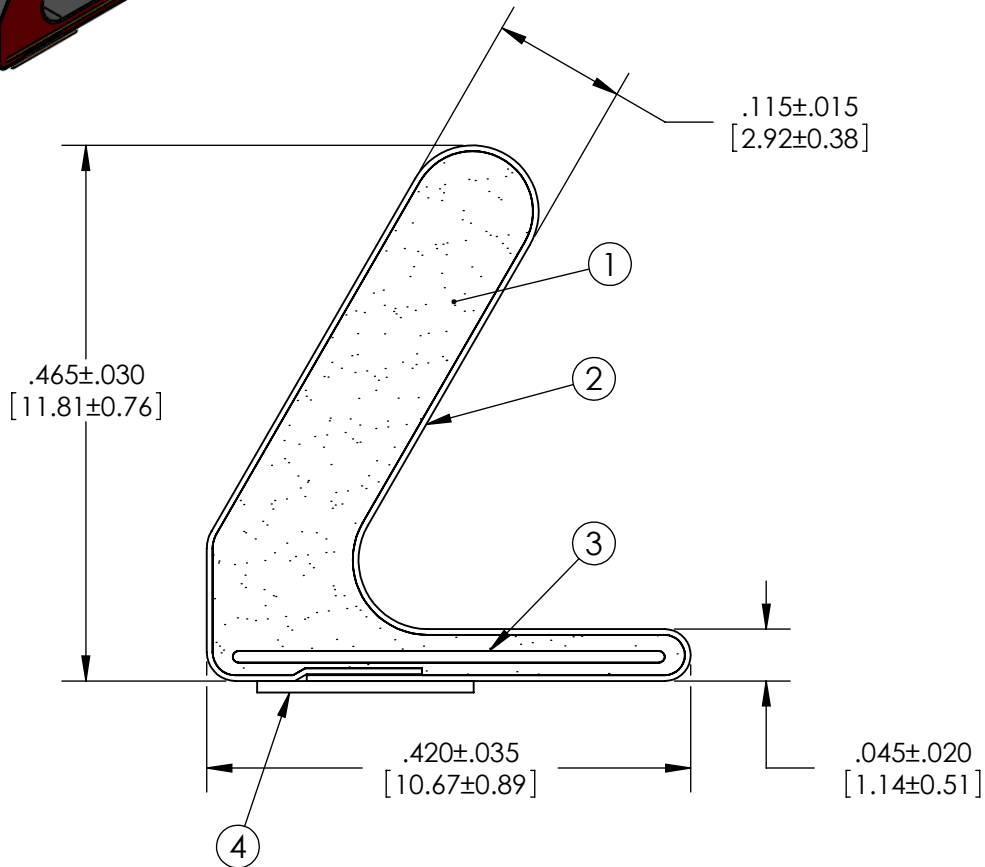
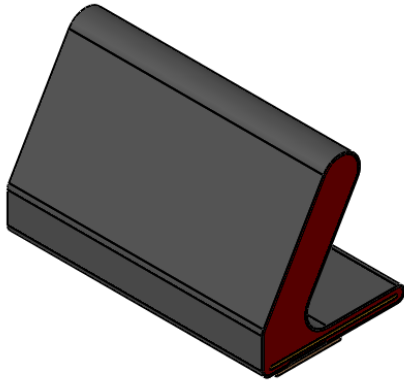
SCALE 1:1

PDR NO.:	(4)		
QUOTE NO.:	(3)	SEE B.O.M.	PLASTIC INSERT .375" WIDE
CUSTOMER NAME:	(2)	SEE B.O.M.	CONDUCTIVE FABRIC
CUST DWG NO.:	(1)	SEE B.O.M.	URETHANE FOAM
SIZE A	Date	5/28/2003	
SHEET 1 OF 3		Item No.	RM Number
SCALE: 6:1		Approved By	Material Description
		Drawn By	EJL
		Title	11.8mm x 10.7mm C-FOLD EMI
Cad File No.	UP07031B	Part No.	E85xxXxxxxx
		Dwg. No.	UP3E0703
			Rev. B

Level		Date	By
(A)	REV PER ECO 2288	5/30/03	EL
(B)	UPDATE SHEET FORMAT	6/19/09	BEP
(C)			
(D)			

ROCHESTER DIVISION PRODUCT PRINT

The information disclosed in this drawing is confidential and the property of Schlegel Electronic Materials, INC. The use, disclosure, or reproduction of this information and related know-how is prohibited without written permission from Schlegel Electronic Materials, INC.



TOLERANCES
 Profile thickness: $\pm .030$ " (0.76mm)
 Profile width: $\pm .035$ " (0.88mm)



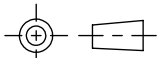
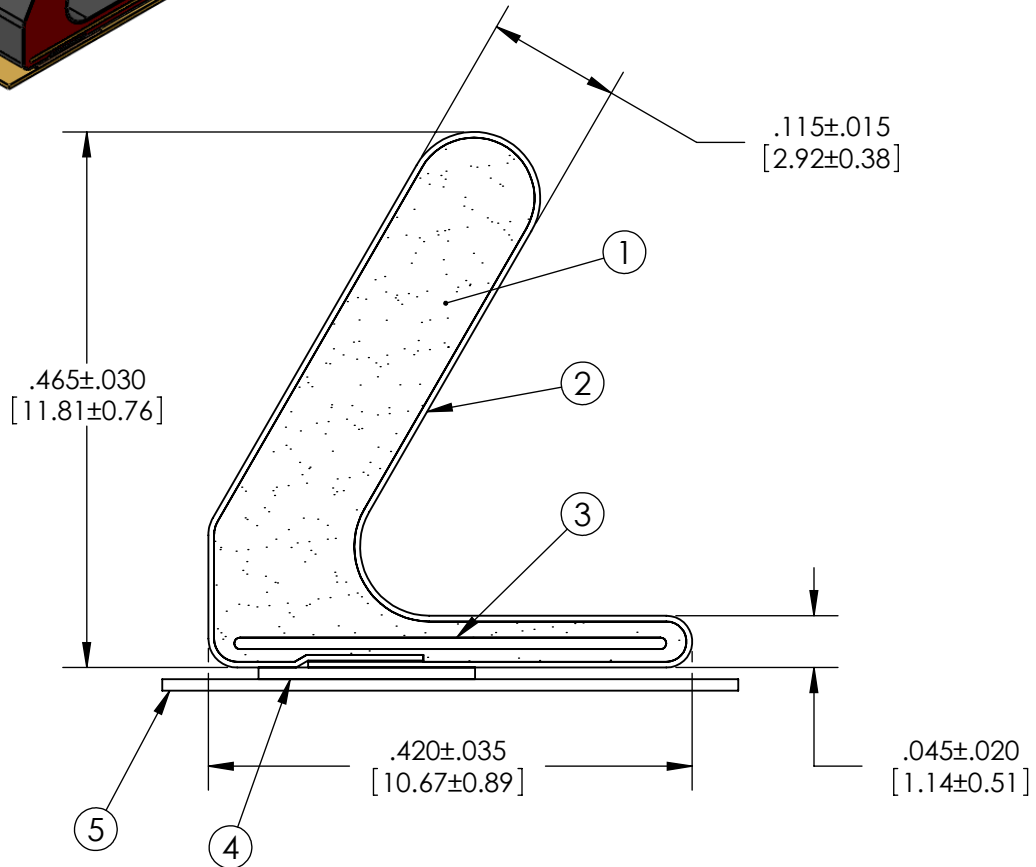
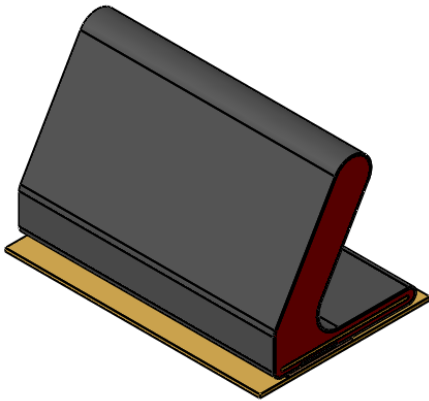
SCALE 1:1

PDR NO.:	(4)	SEE B.O.M.	PSA .188" WIDE (UNLESS OTHERWISE SPECIFIED)
QUOTE NO.:	(3)	SEE B.O.M.	PLASTIC INSERT .375" WIDE
CUSTOMER NAME:	(2)	SEE B.O.M.	CONDUCTIVE FABRIC
CUST DWG NO.:	(1)	SEE B.O.M.	URETHANE FOAM
SIZE A	Date	5/28/2003	
SHEET 2 OF 3		Item No.	Material Description
SCALE: 6:1	Approved By	Drawn By: EJL	Title: 11.8mm x 102.7mm C-FOLD EMI
Cad File No. UP07031B	Part No. E85xxTxxxxx	Dwg. No. UP3E0703	Rev. B

Level		Date	By
(A)	REV PER ECO 2288	5/30/03	EL
(B)	UPDATE SHEET FORMAT	6/19/09	BEP
(C)			
(D)			

ROCHESTER DIVISION PRODUCT PRINT

The information disclosed in this drawing is confidential and the property of Schlegel Electronic Materials, INC. The use, disclosure, or reproduction of this information and related know-how is prohibited without written permission from Schlegel Electronic Materials, INC.



TOLERANCES
 Profile thickness: $\pm .030$ " (0.76mm)
 Profile width: $\pm .035$ " (0.88mm)



PDR NO.:	(5)	SEE B.O.M.	RELEASE LINER .500" WIDE (UNLESS OTHERWISE SPECIFIED)
QUOTE NO.:	(4)	SEE B.O.M.	PSA .188" WIDE (UNLESS OTHERWISE SPECIFIED)
CUSTOMER NAME:	(3)	SEE B.O.M.	PLASTIC INSERT .375" WIDE
CUST DWG NO.:	(2)	SEE B.O.M.	CONDUCTIVE FABRIC
DATE 5/28/2003	(1)	SEE B.O.M.	URETHANE FOAM
SIZE A	SHEET 3 OF 3		Item No. RM Number Material Description
SCALE: 6:1	Approved By	Drawn By EJL	Title 11.8mm x 102mm C-FOLD EMI
Cad File No. UP07031B	Part No. E85xxZxxxxx	Dwg. No. UP3E0703	Rev. B