

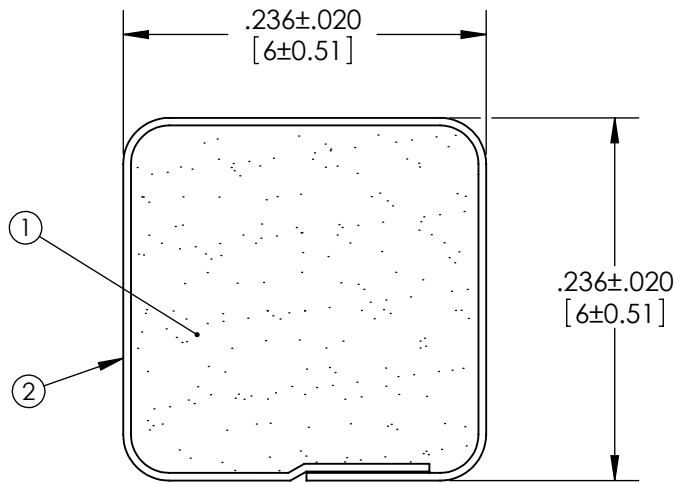
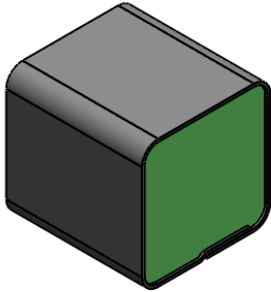


Revisions

Level		Date	By
(A)	REV PER ECO 2056	4/13/99	EL
(B)	REV PER ECO 2118	6/14/99	CMH
(C)	REV PER ECO 2288	7/23/03	EL
(D)	REV TO SOLIDWORKS	2/8/10	BEP

ROCHESTER DIVISION PRODUCT PRINT

The information disclosed in this drawing is confidential and the property of Schlegel Electronic Materials, INC. The use, disclosure, or reproduction of this information and related know-how is prohibited without written permission from Schlegel Electronic Materials, INC.



TOLERANCES

Profile thickness: ±.020" (0.51mm)  
 Profile width: ±.020" (0.51mm)



SCALE 1:1

DIMS: MILLIMETERS <input checked="" type="checkbox"/> INCHES <input checked="" type="checkbox"/>		<input checked="" type="checkbox"/> <input type="checkbox"/>	(4)		
PDR NO.:			(3)		
CUSTOMER NAME:			(2)	SEE B.O.M.	CONDUCTIVE FABRIC
CUST DWG NO.:			(1)	SEE B.O.M.	URETHANE FOAM
SIZE <b>A</b>	Date 5/1/1992			Item No.	RM Number
SHEET 1 OF 3					Material Description
SCALE: 8:1	Approved By		Drawn By	EJL	Title 6mm x 6mm EMI
Cad File No. UC04301D		Part No. E79xxXxxxxx		Dwg. No. UP3E0430	Rev. D

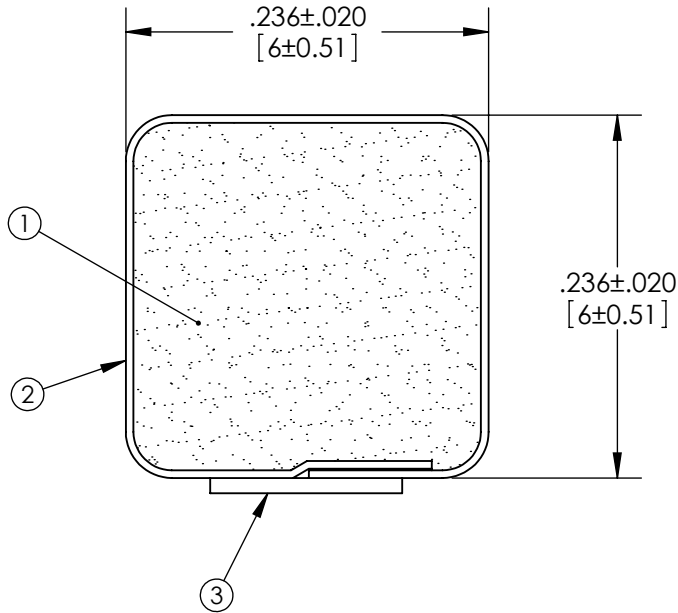
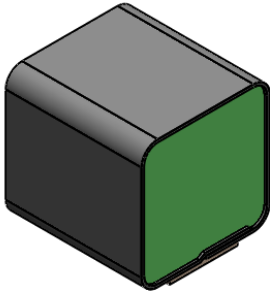


Revisions

Level		Date	By
(A)	REV PER ECO 2056	4/13/99	EL
(B)	REV PER ECO 2118	6/14/99	CMH
(C)	REV PER ECO 2288	7/23/03	EL
(D)	REV TO SOLIDWORKS	2/8/10	BEP

ROCHESTER DIVISION PRODUCT PRINT

The information disclosed in this drawing is confidential and the property of Schlegel Electronic Materials, INC. The use, disclosure, or reproduction of this information and related know-how is prohibited without written permission from Schlegel Electronic Materials, INC.



TOLERANCES

Profile thickness:  $\pm .020$ " (0.51mm)  
 Profile width:  $\pm .020$ " (0.51mm)



SCALE 1:1

DIMS: MILLIMETERS <input checked="" type="checkbox"/> INCHES <input checked="" type="checkbox"/>		<input checked="" type="checkbox"/> <input type="checkbox"/>	(4)		
PDR NO.:			(3)	SEE B.O.M.	PSA .125" WIDE (UNLESS OTHERWISE SPECIFIED)
CUSTOMER NAME:			(2)	SEE B.O.M.	CONDUCTIVE FABRIC
CUST DWG NO.:			(1)	SEE B.O.M.	URETHANE FOAM
SIZE A	Date 5/1/1992			Item No.	RM Number
SHEET 2 OF 3					Material Description
SCALE: 8:1	Approved By		Drawn By	EJL	Title 6mm x 6mm EMI
Cad File No. UC04301D	Part No. E79xxTxxxxx		Dwg. No. UP3E0430		Rev. D

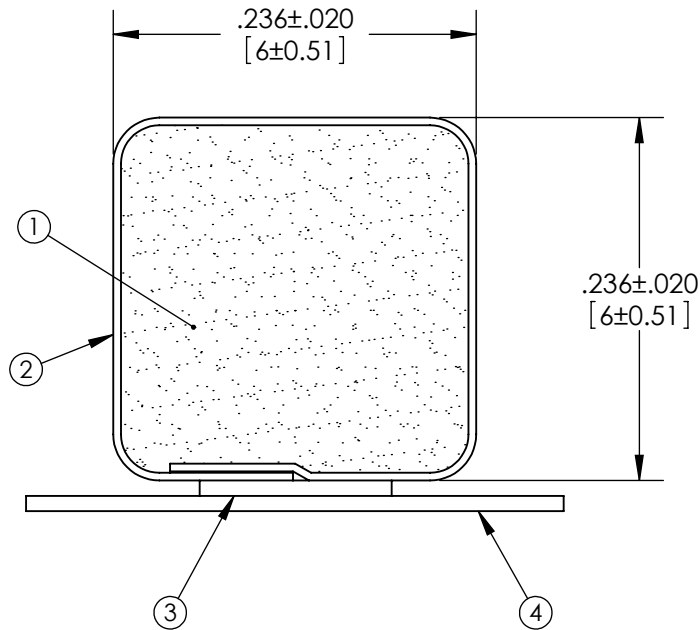
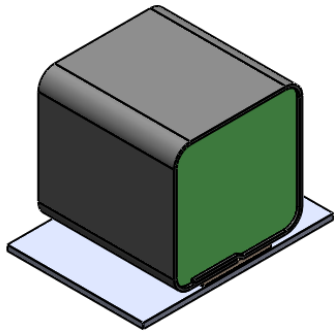


Revisions

Level		Date	By
(A)	REV PER ECO 2056	4/13/99	EL
(B)	REV PER ECO 2118	6/14/99	CMH
(C)	REV PER ECO 2288	7/23/03	EL
(D)	REV TO SOLIDWORKS	2/8/10	BEP

ROCHESTER DIVISION PRODUCT PRINT

The information disclosed in this drawing is confidential and the property of Schlegel Electronic Materials, INC. The use, disclosure, or reproduction of this information and related know-how is prohibited without written permission from Schlegel Electronic Materials, INC.



TOLERANCES

Profile thickness:  $\pm .020$ " (0.51mm)  
 Profile width:  $\pm .020$ " (0.51mm)



DIMS: MILLIMETERS <input checked="" type="checkbox"/> INCHES <input checked="" type="checkbox"/>	<input checked="" type="checkbox"/> <input type="checkbox"/>	<input type="checkbox"/> <input checked="" type="checkbox"/>	(4)	SEE B.O.M.	RELEASE LINER .350" WIDE (UNLESS OTHERWISE SPECIFIED)
PDR NO.:			(3)	SEE B.O.M.	PSA .125" WIDE (UNLESS OTHERWISE SPECIFIED)
CUSTOMER NAME:			(2)	SEE B.O.M.	CONDUCTIVE FABRIC
CUST DWG NO.:			(1)	SEE B.O.M.	URETHANE FOAM
SIZE <b>A</b>	Date 5/1/1992		Item No.	RM Number	Material Description
SCALE: 8:1	Approved By		Drawn By EJL	Title	6mm x 6mm EMI
Cad File No. UC04301D	Part No. E79xxZxxxxx		Dwg. No. UP3E0430	Rev. D	