

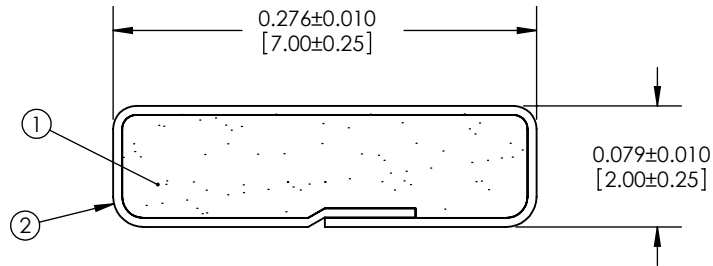
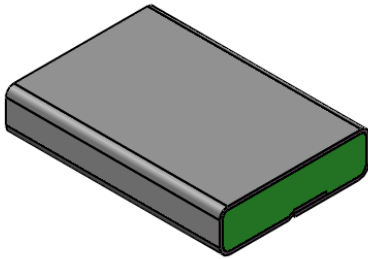


Revisions

Level		Date	By
○			
Ⓐ			
Ⓑ	REV PER ECO 2322	7/28/04	EL
Ⓒ	UPDATE SHEET FORMAT	2/23/09	BEP

ROCHESTER DIVISION PRODUCT PRINT

The information disclosed in this drawing is confidential and the property of Schlegel Electronic Materials, INC. The use, disclosure, or reproduction of this information and related know-how is prohibited without written permission from Schlegel Electronic Materials, INC.



TOLERANCES

Profile thickness:  $\pm 0.010$ " (0.25mm)  
 Profile width:  $\pm 0.010$ " (0.25mm)



SCALE 1:1

PDR NO.:			
QUOTE NO.:	③		
CUSTOMER NAME:	②	SEE B.O.M.	CONDUCTIVE FABRIC
CUST DWG NO.:	①	SEE B.O.M.	URETHANE FOAM
SIZE <b>A</b>	Date 3/31/1999	Item No.	RM Number
SHEET 1 OF 3		Material Description	
SCALE: 8:1	Approved By	Drawn By E.J.L.	Title 2mm x 7mm EMI
Cad File No. UP05641C	Part No. E77xxXxxxxx	Dwg. No. UP3E0564	Rev. C

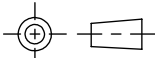
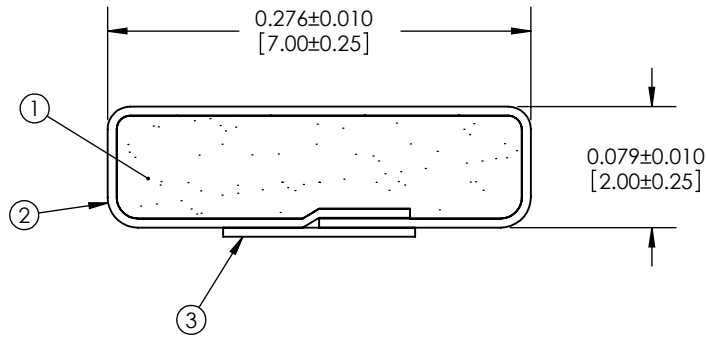
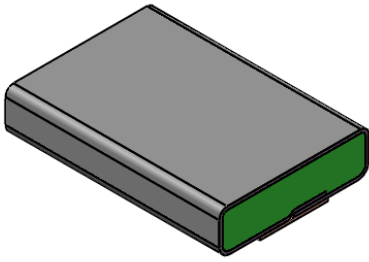


Revisions

Level		Date	By
○			
Ⓐ			
Ⓑ	REV PER ECO 2322	7/28/04	EL
Ⓒ	UPDATE SHEET FORMAT	2/23/09	BEP

ROCHESTER DIVISION PRODUCT PRINT

The information disclosed in this drawing is confidential and the property of Schlegel Electronic Materials, INC. The use, disclosure, or reproduction of this information and related know-how is prohibited without written permission from Schlegel Electronic Materials, INC.



TOLERANCES  
 Profile thickness:  $\pm 0.010''$  (0.25mm)  
 Profile width:  $\pm 0.010''$  (0.25mm)



SCALE 1:1

PDR NO.:				
QUOTE NO.:		Ⓒ	SEE B.O.M.	PSA .125" WIDE (UNLESS OTHERWISE SPECIFIED)
CUSTOMER NAME:		Ⓓ	SEE B.O.M.	CONDUCTIVE FABRIC
CUST DWG NO.:		Ⓐ	SEE B.O.M.	URETHANE FOAM
SIZE	Date 3/31/1999			
<b>A</b>	SHEET 2 OF 3	Item No.	RM Number	Material Description
SCALE: 8:1	Approved By	Drawn By	EJL	Title 2mm x 7mm EMI
Cad File No. UP05641C	Part No. E77xxTxxxx	Dwg. No. UP3E0564		Rev. C

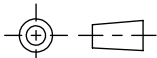
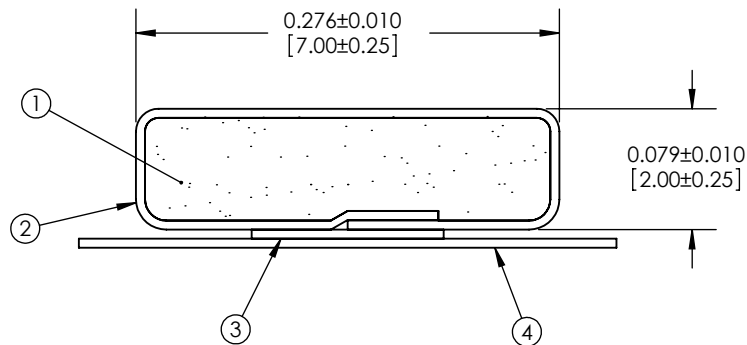
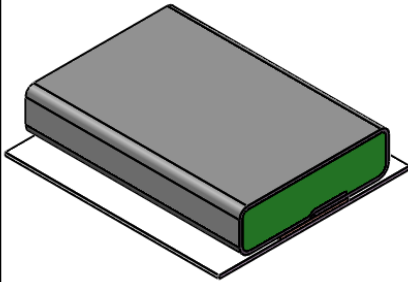


Revisions

Level		Date	By
○			
Ⓐ			
Ⓑ	REV PER ECO 2322	7/28/04	EL
Ⓒ	UPDATE SHEET FORMAT	2/23/09	BEP

ROCHESTER DIVISION PRODUCT PRINT

The information disclosed in this drawing is confidential and the property of Schlegel Electronic Materials, INC. The use, disclosure, or reproduction of this information and related know-how is prohibited without written permission from Schlegel Electronic Materials, INC.



TOLERANCES  
 Profile thickness: ±.010" (0.25mm)  
 Profile width: ±.010" (0.25mm)



PDR NO.:	④	SEE B.O.M.	RELEASE LINER .350" WIDE (UNLESS OTHERWISE SPECIFIED)
QUOTE NO.:	③	SEE B.O.M.	PSA .125" WIDE (UNLESS OTHERWISE SPECIFIED)
CUSTOMER NAME:	②	SEE B.O.M.	CONDUCTIVE FABRIC
CUST DWG NO.:	①	SEE B.O.M.	URETHANE FOAM
SIZE <b>A</b>	Date	3/31/1999	
SHEET 3 OF 3		Item No.	Material Description
SCALE: 8:1	Approved By	Drawn By E.JL	Title 2mm x 7mm EMI
Cad File No. UP05641C	Part No. E77xxZxxxxx	Dwg. No. UP3E0564	Rev. C