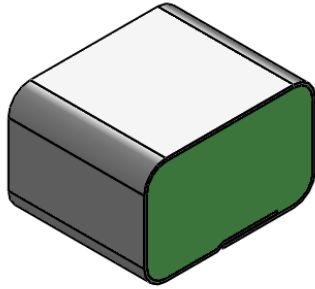


Level		Date	By
(A)			
(B)	REV PER ECO 2056	12/3/98	EL
(C)	REV TO SOLIDWORKS	11/23/10	RDL
(D)			

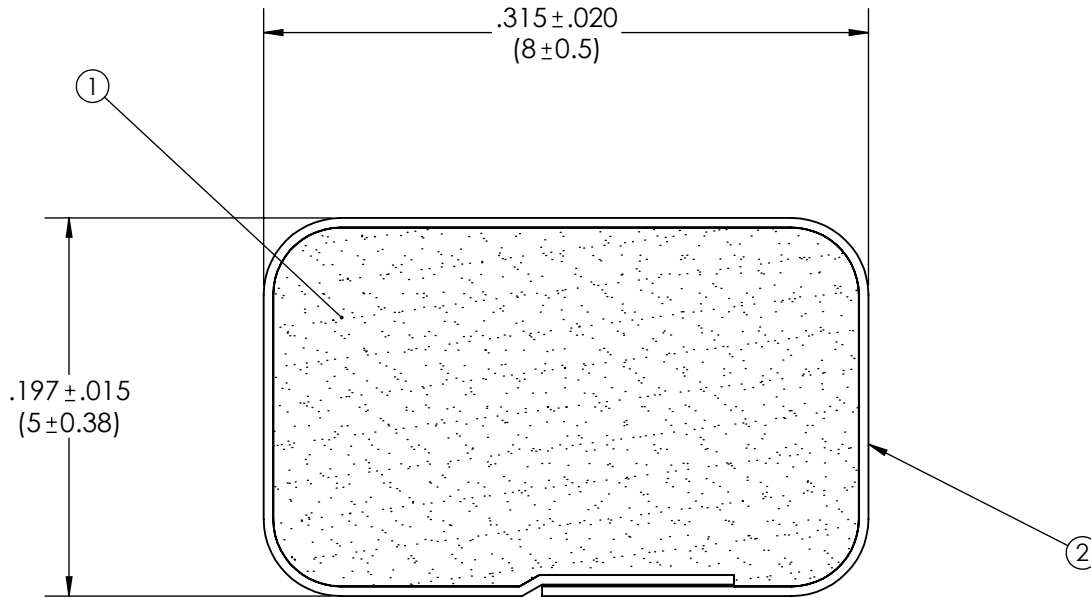
ROCHESTER DIVISION PRODUCT PRINT

The information disclosed in this drawing is confidential and the property of Schlegel Electronic Materials, INC. The use, disclosure, or reproduction of this information and related know-how is prohibited without written permission from Schlegel Electronic Materials, INC.



NOTES:




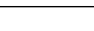
- 1) REFERENCE DIMENSIONS (REF) HAVE NO TOLERANCE AND ARE FOR INFORMATIVE PURPOSES ONLY.
- 2) FOR ALL MISSING DIMENSIONS 3D CAD FILES SHOULD BE USED.
- 3) UNLESS OTHERWISE SPECIFIED INTERPRET TOLERANCES ACCORDING TO ISO 2768C.



TOLERANCES

Profile thickness: $\pm .015$ " (0.38mm)
 Profile width: $\pm .020$ " (0.51mm)

SCALE 1:1

DIMS: MILLIMETERS <input checked="" type="checkbox"/> INCHES <input checked="" type="checkbox"/>			(4)		
PDR NO.:			(3)		
CUSTOMER NAME:			(2)	SEE B.O.M.	CONDUCTIVE FABRIC
CUST DWG NO.:			(1)	SEE B.O.M.	URETHANE FOAM
SIZE A	Date 12/03/98			Item No.	RM Number
SHEET 1 OF 2				Material Description	
SCALE: 10:1	Approved By	Drawn By E.J.L.	Title 5MM X 8MM EMI		
Cad File No.	Part No. E73_X_	Dwg. No. UP3E0481	Rev. C		



Revisions

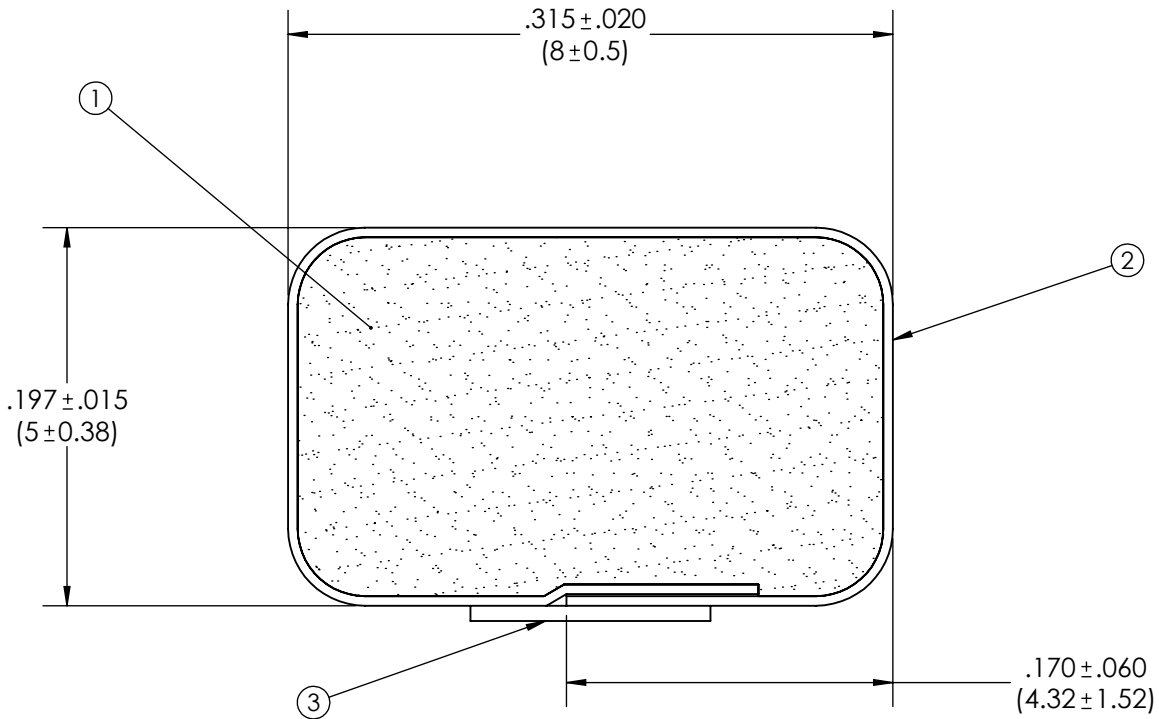
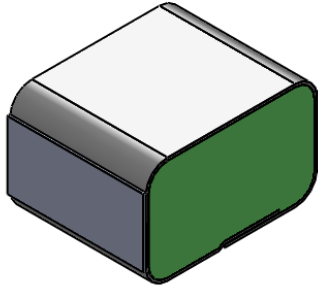
Level		Date	By
(A)			
(B)	REV PER ECO 2056	12/3/98	EL
(C)	REV TO SOLIDWORKS	11/23/10	RDL
(D)			

ROCHESTER DIVISION PRODUCT PRINT

The information disclosed in this drawing is confidential and the property of Schlegel Electronic Materials, INC. The use, disclosure, or reproduction of this information and related know-how is prohibited without written permission from Schlegel Electronic Materials, INC.

NOTES:

- 1) REFERENCE DIMENSIONS (REF) HAVE NO TOLERANCE AND ARE FOR INFORMATIVE PURPOSES ONLY.
- 2) FOR ALL MISSING DIMENSIONS 3D CAD FILES SHOULD BE USED.
- 3) UNLESS OTHERWISE SPECIFIED INTERPRET TOLERANCES ACCORDING TO ISO 2768C.



TOLERANCES

Profile thickness: $\pm .015$ " (0.38mm)
 Profile width: $\pm .020$ " (0.51mm)

SCALE 1:1

DIMS: MILLIMETERS <input checked="" type="checkbox"/> INCHES <input checked="" type="checkbox"/>		<input checked="" type="checkbox"/> <input type="checkbox"/> <input type="checkbox"/>		(4)		
PDR NO.:		(3)		SEE BOM	PSA .100" WIDE (UNLESS OTHERWISE SPECIFIED)	
CUSTOMER NAME:		(2)		SEE B.O.M.	CONDUCTIVE FABRIC	
CUST DWG NO.:		(1)		SEE B.O.M.	URETHANE FOAM	
SIZE	Date 12/3/98	Item No.	RM Number		Material Description	
A	SHEET 2 OF 2			Drawn By RDL	Title 1.5mm x 10mm D-SHAPE EMI	
SCALE: 10:1	Approved By					Rev. C
Cad File No.	Part No. E73_X_-----		Dwg. No. UP3E0481			