

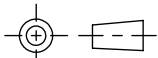
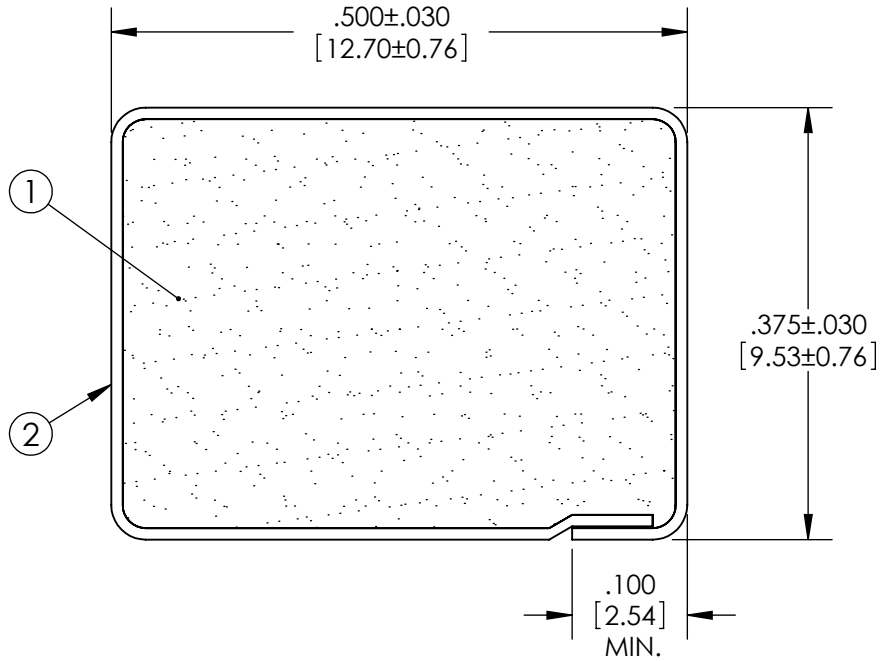
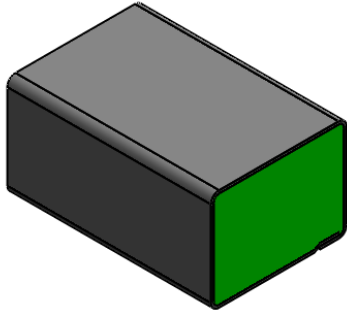


Revisions

Level		Date	By
(B)	REV PER ECO 2056	4/13/99	EL
(C)	REV TO SOLIDWORKS	10/8/09	BEP
(D)			
(E)			

ROCHESTER DIVISION PRODUCT PRINT

The information disclosed in this drawing is confidential and the property of Schlegel Electronic Materials, INC. The use, disclosure, or reproduction of this information and related know-how is prohibited without written permission from Schlegel Electronic Materials, INC.



TOLERANCES  
 Profile thickness: ±.030" (0.76mm)  
 Profile width: ±.030" (0.76mm)



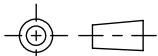
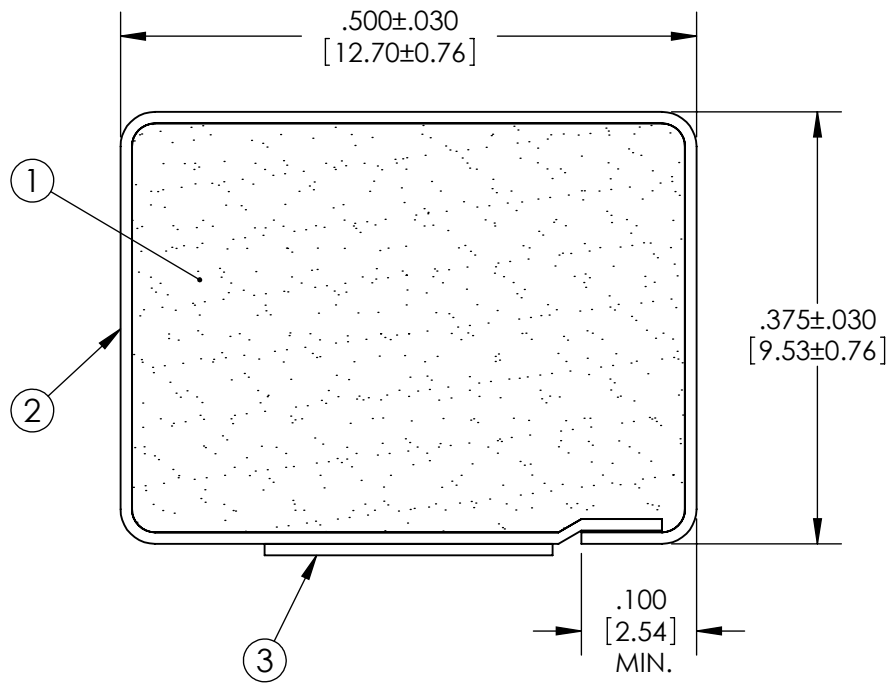
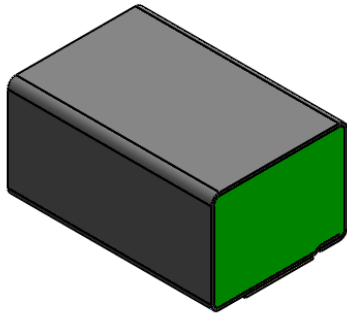
SCALE 1:1

PDR NO.:	(4)		
QUOTE NO.:	(3)		
CUSTOMER NAME:	(2)	SEE B.O.M.	CONDUCTIVE FABRIC
CUST DWG NO.:	(1)	SEE B.O.M.	URETHANE FOAM
SIZE	Date	2/1/1989	
<b>A</b>	SHEET 1 OF 3		Item No. RM Number Material Description
SCALE: 6:1	Approved By	Drawn By EJL	Title 9.5mm x 12.7mm EMI
Cad File No. UP02761C	Part No. E68xxXxxxxx	Dwg. No. UP3E0276	Rev. C

Level		Date	By
(B)	REV PER ECO 2056	4/13/99	EL
(C)	REV TO SOLIDWORKS	10/8/09	BEP
(D)			
(E)			

ROCHESTER DIVISION PRODUCT PRINT

The information disclosed in this drawing is confidential and the property of Schlegel Electronic Materials, INC. The use, disclosure, or reproduction of this information and related know-how is prohibited without written permission from Schlegel Electronic Materials, INC.



TOLERANCES  
 Profile thickness: ±.030" (0.76mm)  
 Profile width: ±.030" (0.76mm)



SCALE 1:1

PDR NO.:	(4)		
QUOTE NO.:	(3)	SEE B.O.M.	PSA .250" WIDE (UNLESS OTHERWISE SPECIFIED)
CUSTOMER NAME:	(2)	SEE B.O.M.	CONDUCTIVE FABRIC
CUST DWG NO.:	(1)	SEE B.O.M.	URETHANE FOAM
SIZE A	Date	2/1/1989	
SHEET 2 OF 3		Item No.	Material Description
SCALE: 6:1	Approved By	Drawn By	EJL
		Title	9.5mm x 12.7mm EMI
Cad File No.	UP02761C	Part No.	E68xxTxxxxx
		Dwg. No.	UP3E0276
			Rev. C

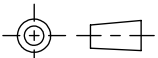
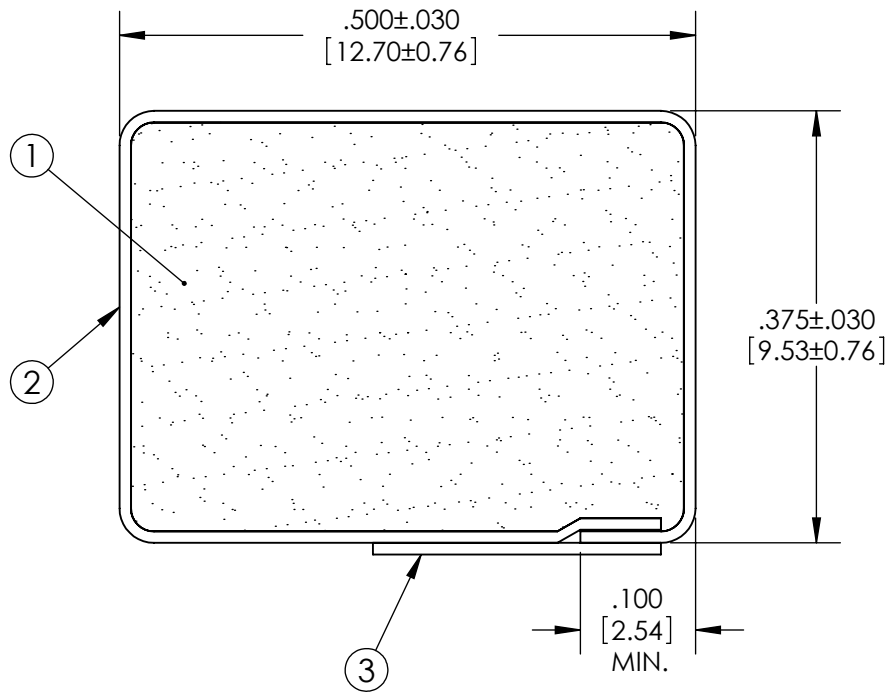
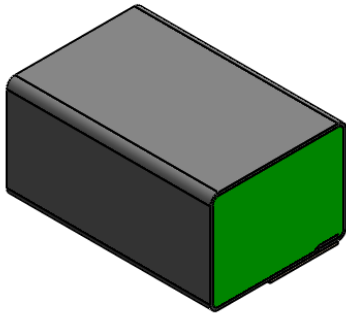


Revisions

Level		Date	By
(B)	REV PER ECO 2056	4/13/99	EL
(C)	REV TO SOLIDWORKS	10/8/09	BEP
(D)			
(E)			

ROCHESTER DIVISION PRODUCT PRINT

The information disclosed in this drawing is confidential and the property of Schlegel Electronic Materials, INC. The use, disclosure, or reproduction of this information and related know-how is prohibited without written permission from Schlegel Electronic Materials, INC.



TOLERANCES  
 Profile thickness: ±.030" (0.76mm)  
 Profile width: ±.030" (0.76mm)



SCALE 1:1

PDR NO.:	(4)		
QUOTE NO.:	(3)	SEE B.O.M.	PSA .250" WIDE (UNLESS OTHERWISE SPECIFIED)
CUSTOMER NAME:	(2)	SEE B.O.M.	CONDUCTIVE FABRIC
CUST DWG NO.:	(1)	SEE B.O.M.	URETHANE FOAM
SIZE	Date	2/1/1989	
<b>A</b>	SHEET 3 OF 3		Item No. RM Number Material Description
SCALE: 6:1	Approved By	Drawn By	EJL Title
Cad File No. UP02761C	Part No. E68xxLxxxxx	Dwg. No. UP3E0276	Rev. C